

IR105

PARTS CATALOG

REVISION 0 - 01

200V 50/60Hz	F14-1611	MHP00001 -
230V 50Hz	F14-1621	QSH00001 -
208V 60Hz	F14-1631	MPT00001 -
230V 50Hz	F14-1641	QSJ00001 -
230V 50Hz	F14-1651	QEL00001 -
230V 50Hz	F14-1661	REL00001 -
230V 50Hz	F14-1671	SDL00001 -
230V 50Hz	F14-1681	TEB00001 -
230V 50Hz	F14-1691	UHQ00001 -

Canon

AUG. 2001

FY8-31FJ-000

PREFACE

This Parts Catalog contains listings of parts used in the iR105. Diagrams are provided with the listings to aid the service technician in identifying clearly, the item to be ordered.

Whenever ordering parts, consult this Parts Catalog for all of the information pertaining to each item. Be sure to include, in the Parts Request, the full item description, the item part number and the quantity.

Canon Inc.

Office Imaging Products Device Quality Assurance Center
5-1, Hakusan 7-chome,
Toride-city, Ibaraki 302-8501, Japan

COPYRIGHT © 2001 CANON INC.

Printed in Japan
Imprimé au Japon

CONTENTS

A.	ASSEMBLY LOCATION DIAGRAM	350.	INTERNAL DELIVERY UPPER ASSEMBLY
		351.	EXTERNAL DELIVERY UPPER ASSEMBLY
020.	SPECIAL TOOLS	360.	DUPLEXING FEEDER ASSEMBLY
100.	EXTERNAL COVERS, PANELS, ETC.	420.	MIRROR ASSEMBLY 1
101.	MACHINE FRONT PLATE	430.	MIRROR ASSEMBLY 2
102.	INTERNAL COMPONENTS 1	460.	SCANNER ASSEMBLY
103.	INTERNAL COMPONENTS 2		
104.	INTERNAL COMPONENTS 3	510.	PHOTO-SENSITIVE DRUM ASSEMBLY
105.	INTERNAL COMPONENTS 4	550.	PRIMARY CORONA ASSEMBLY
106.	MACHINE REAR PLATE 1	570.	PRE-TRANSFER CORONA ASSEMBLY
107.	MACHINE REAR PLATE 2	580.	TRANSFER/SEPARATE CORONA ASSEMBLY
108.	MACHINE BOTTOM PLATE		
110.	POWER CORD TERMINAL ASSEMBLY (200V)	600.	AP KIT ASSEMBLY
111.	POWER CORD TERMINAL ASSEMBLY (208/220/240V)	640.	DEVELOPING ASSEMBLY
		645.	BUFFER ASSEMBLY
120.	DOOR SWITCH MOUNT ASSEMBLY	720.	SEPARATION CLAW DRIVE ASSEMBLY
130.	CONTROL PANEL ASSEMBLY	770.	WASTE TONER ASSEMBLY
190.	SEPARATION FIXING FAN ASSEMBLY	775.	WASTE TONER PIPE ASSEMBLY
194.	PRIMARY POLYGON LASER FAN ASSEMBLY		
195.	DRUM INTAKE FAN ASSEMBLY	810.	FIXING ASSEMBLY
210.	LENS MOUNT ASSEMBLY	900.	CONTROLLER BOX ASSEMBLY
215.	SCANNER MOUNT ASSEMBLY	910.	DC POWER SUPPLY PCB ASSEMBLY
230.	VERTICAL PATH DRIVE ASSEMBLY	920.	CONTROL PANEL CPU PCB ASSEMBLY
231.	LIFTER DRIVE ASSEMBLY	925.	CONTROL PANEL INVERTER PCB ASSEMBLY
250.	MAIN DRIVE ASSEMBLY	926.	CONTROL PANEL PCB ASSEMBLY
251.	DRUM DRIVE ASSEMBLY	930.	DC CONTROLLER PCB ASSEMBLY
260.	PAPER PICK-UP DRIVE ASSEMBLY	935.	READER CONTROL PCB ASSEMBLY
261.	CASSETTE PICK-UP DRIVE ASSEMBLY	940.	POTENTIAL MEASURING PCB ASSEMBLY
263.	LEFT PICK-UP DRIVE ASSEMBLY	945.	INVERTER PCB ASSEMBLY
264.	MULTI FEED DRIVE ASSEMBLY	960.	AC DRIVER PCB ASSEMBLY
270.	DEVELOPING DRIVE ASSEMBLY	970.	DOCUMENT DETECT PCB ASSEMBLY
275.	TONER CARTRIDGE DRIVE ASSEMBLY	980.	H.V. AC TRANSFORMER PCB ASSEMBLY
280.	WASTE TONER DRIVE ASSEMBLY	985.	H.V. DC TRANSFORMER PCB ASSEMBLY
300.	CASSETTE	B.	LIST OF CONNECTORS
302.	1.5K RIGHT PAPER STOCK ASSEMBLY	C.	LIST OF STANDARD FASTENERS
303.	1.5K LEFT PAPER STOCK ASSEMBLY	D.	NUMERICAL INDEX
305.	CASSETTE HEATER ASSEMBLY		
311.	CASSETTE PICK-UP ASSEMBLY		
312.	FRONT DECK (RIGHT) PICK-UP ASSEMBLY		
313.	FRONT DECK (LEFT) PICK-UP ASSEMBLY		
315.	MULTI FEED ASSEMBLY		
316.	MULTI FEED TRAY ASSEMBLY		
320.	FIXING/FEEDER FRAME ASSEMBLY		
325.	REGISTRATION/TRANSFER ASSEMBLY		
330.	FEEDER ASSEMBLY		

FIGURE A ASSEMBLY LOCATION DIAGRAM(1/5)

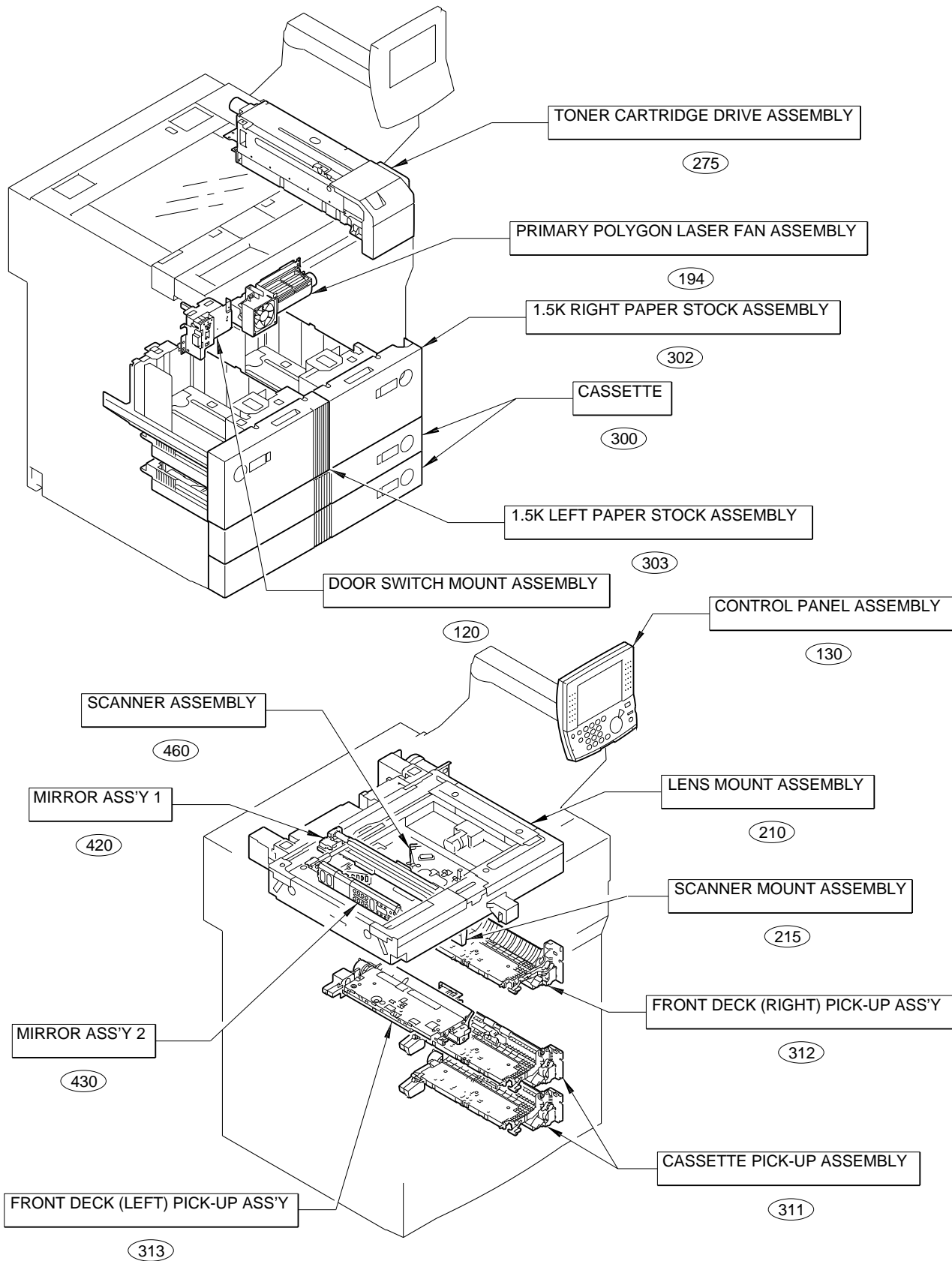


FIGURE A ASSEMBLY LOCATION DIAGRAM(2/5)

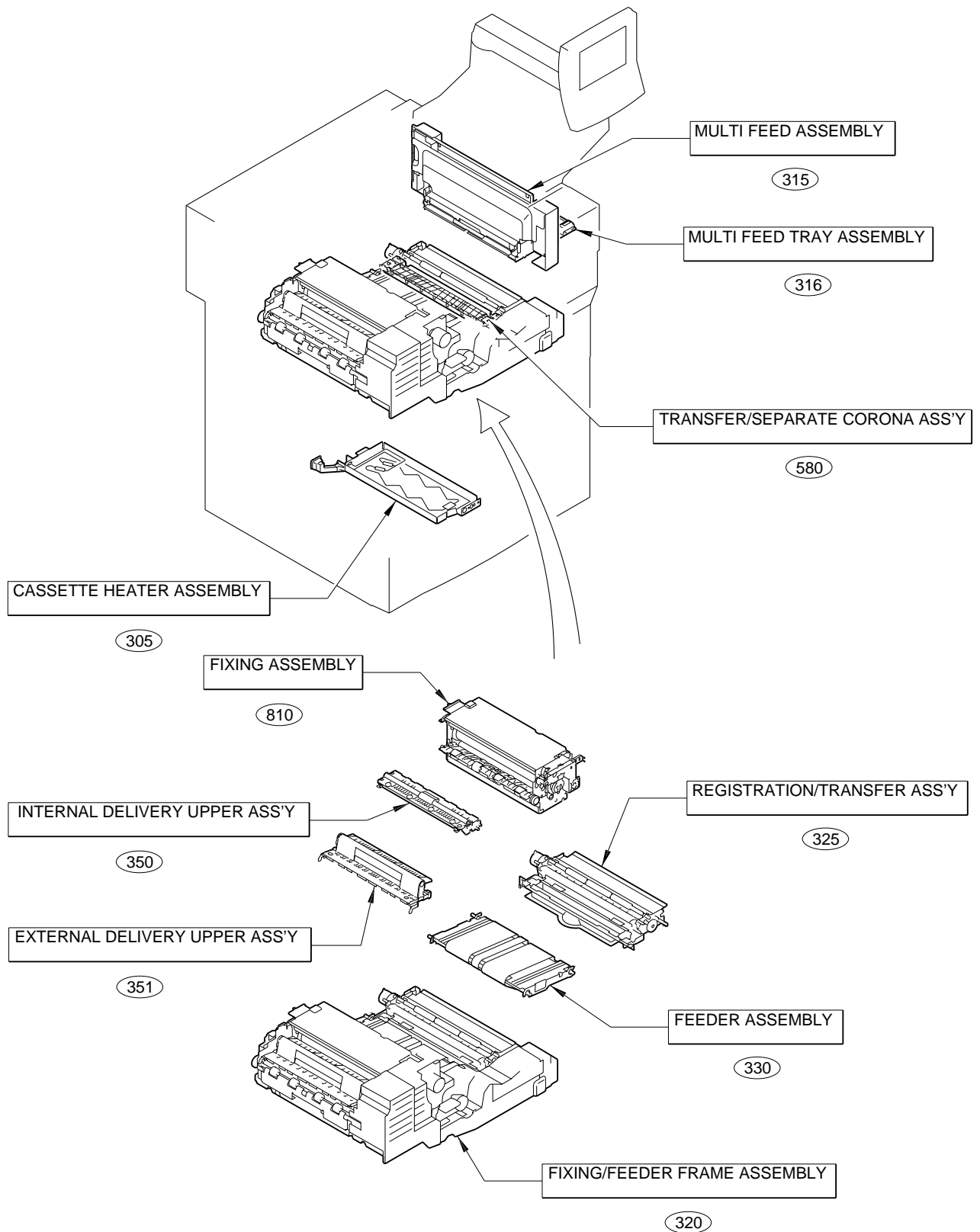


FIGURE A ASSEMBLY LOCATION DIAGRAM(3/5)

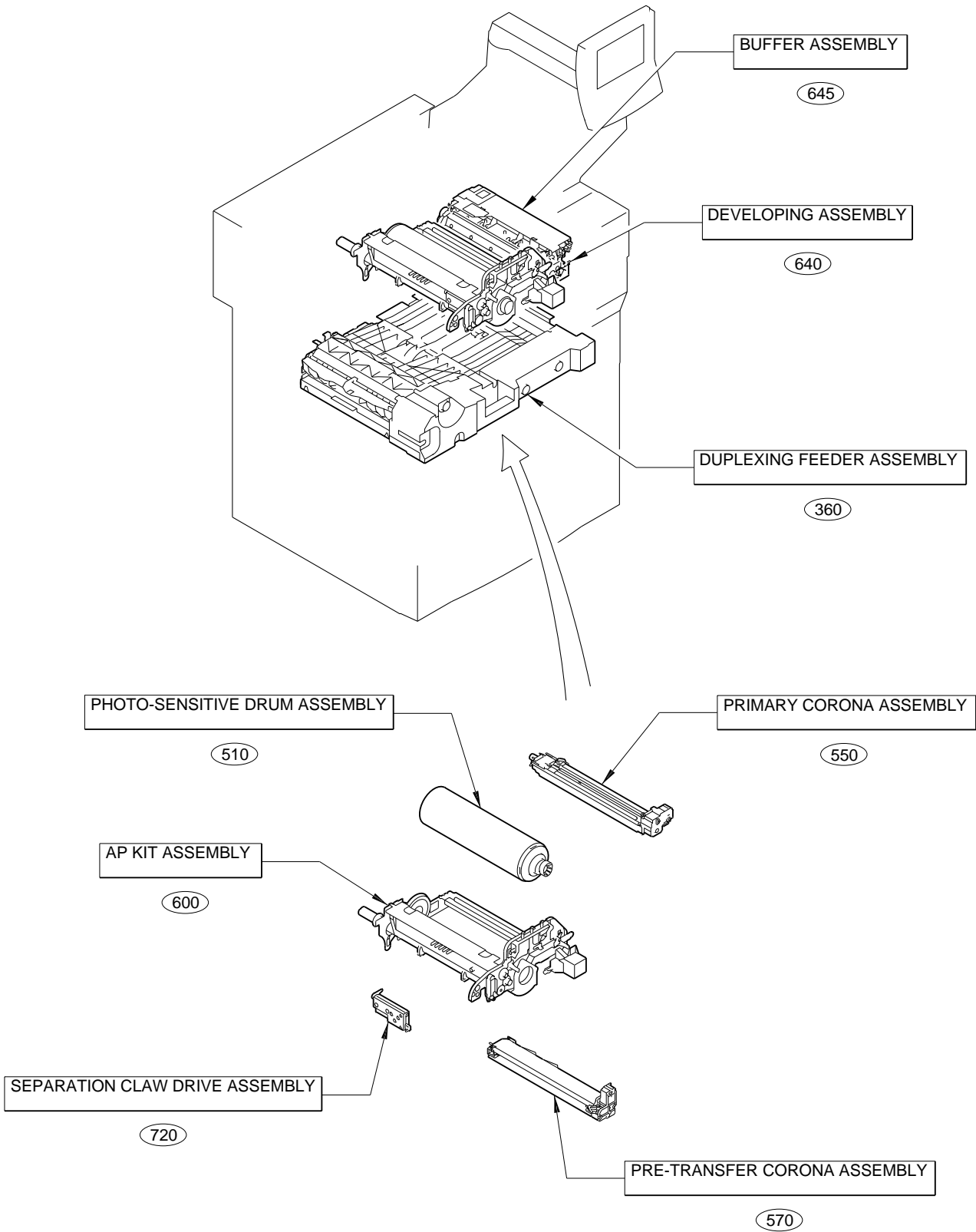


FIGURE A ASSEMBLY LOCATION DIAGRAM(4/5)

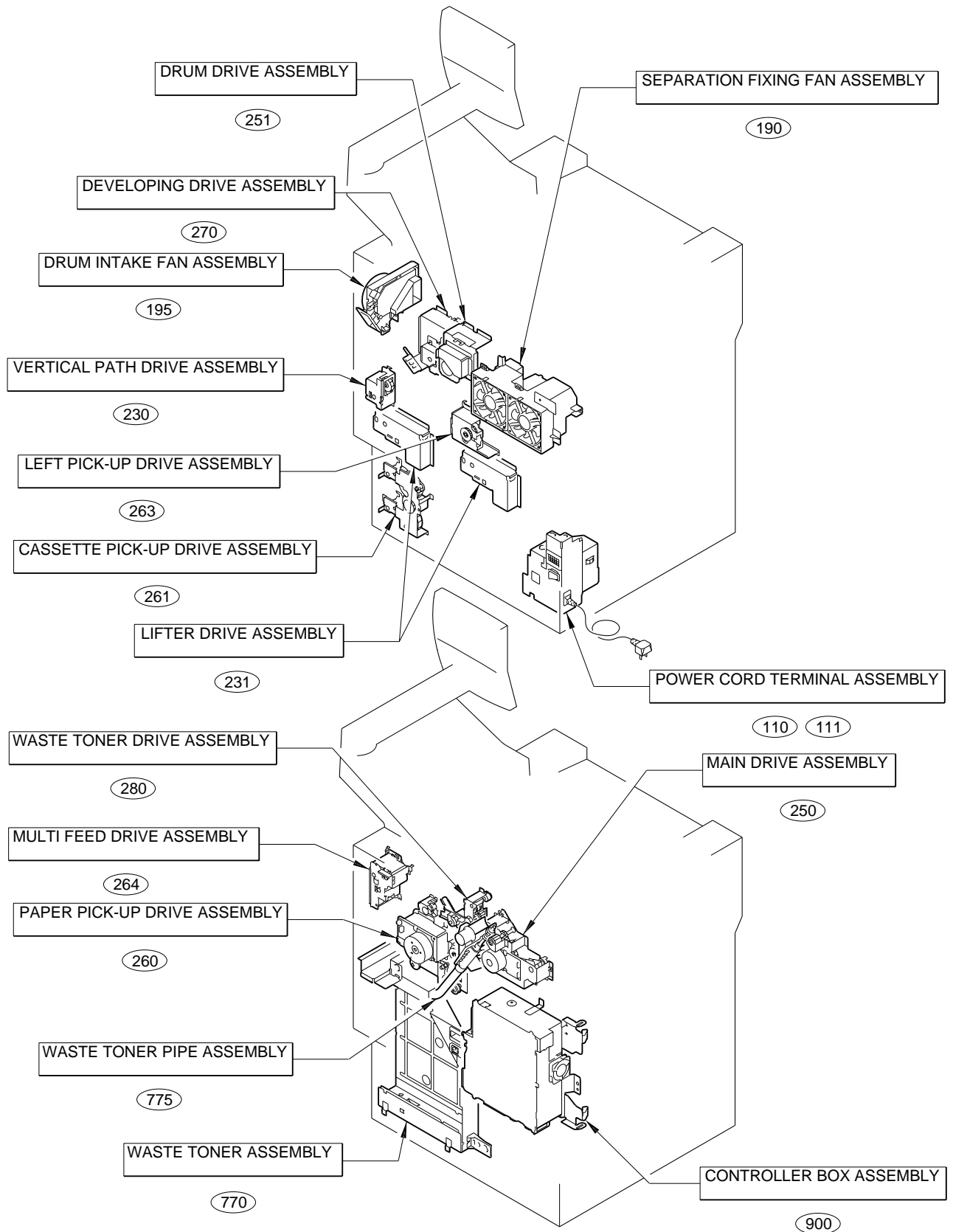


FIGURE A ASSEMBLY LOCATION DIAGRAM(5/5)

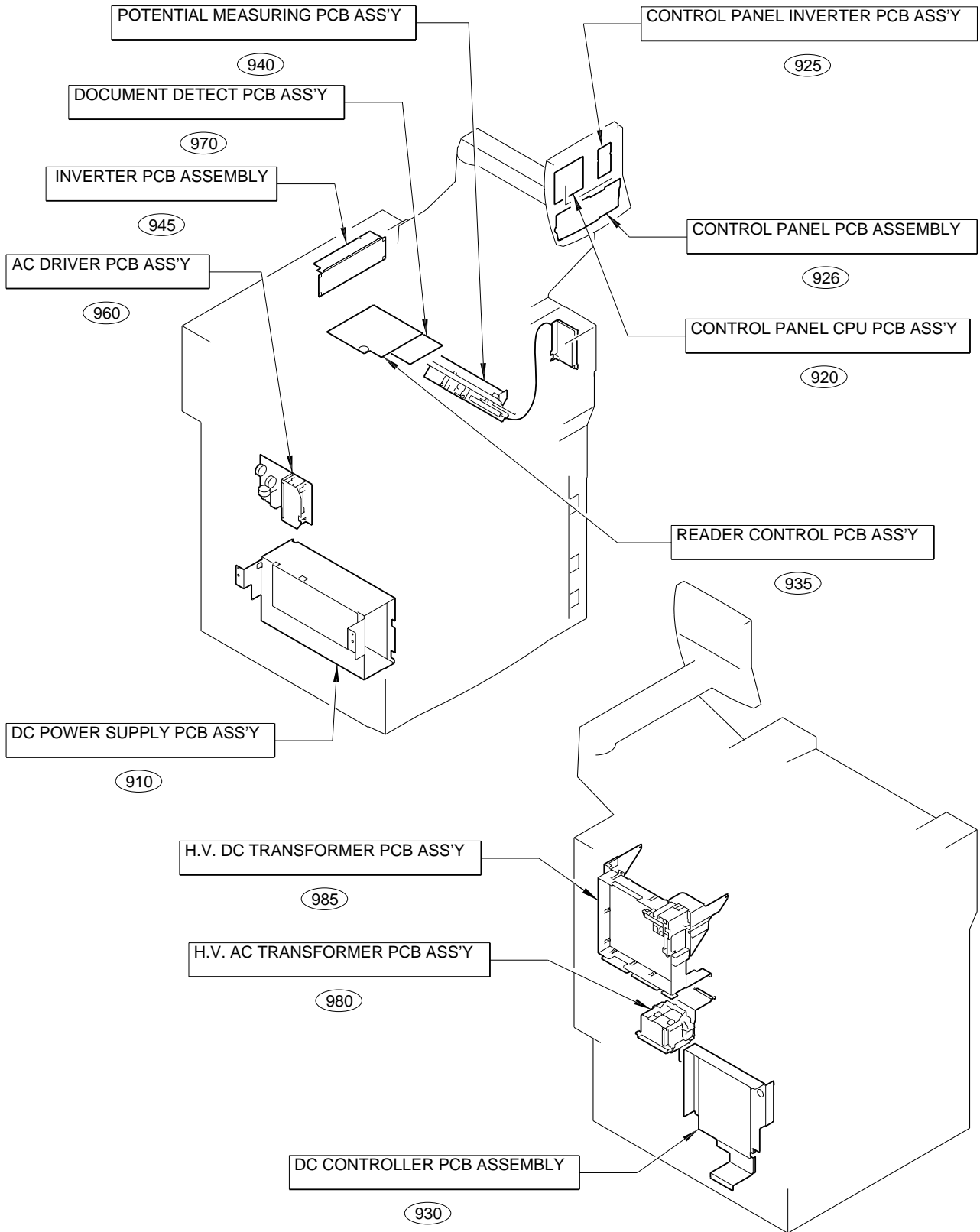


FIGURE 020 SPECIAL TOOLS

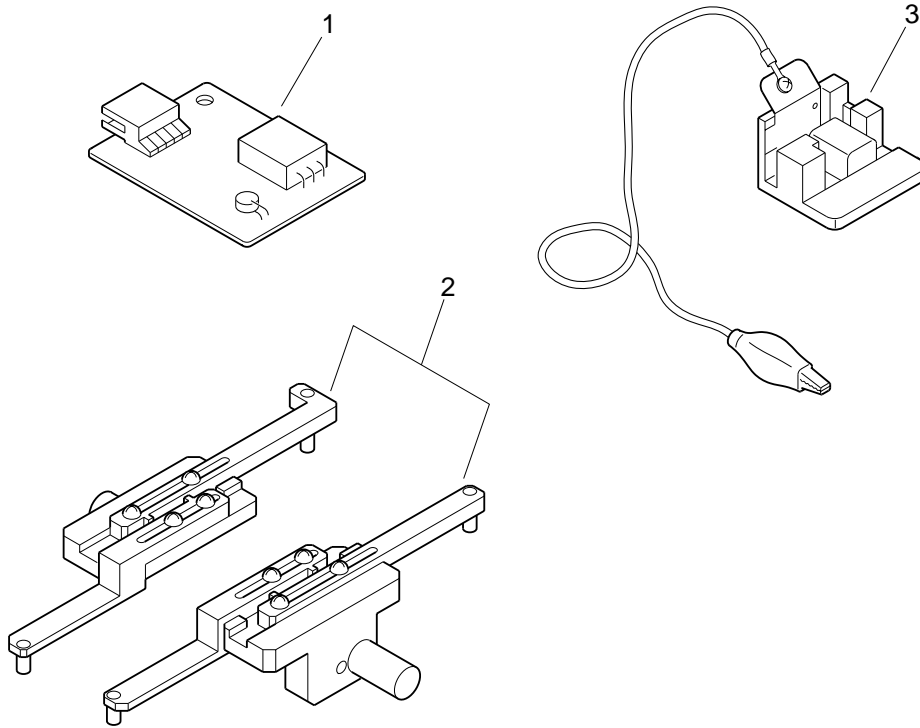


FIGURE & KEY NO.	PART NUMBER	RANK	QTY	DESCRIPTION	SERIAL NUMBER / REMARKS
020 -	NPN		RF	SPECIAL TOOLS	
1	FY9 - 3014 - 000		1	ENVIRONMENT SENSOR TOOL	
2	FY9 - 3040 - 020		1	MIRROR POSITIONING TOOLS	
3	FY9 - 3041 - 000		1	TERMINAL, POTENTIAL SENSOR	

FIGURE 100 EXTERNAL COVERS, PANELS, ETC.

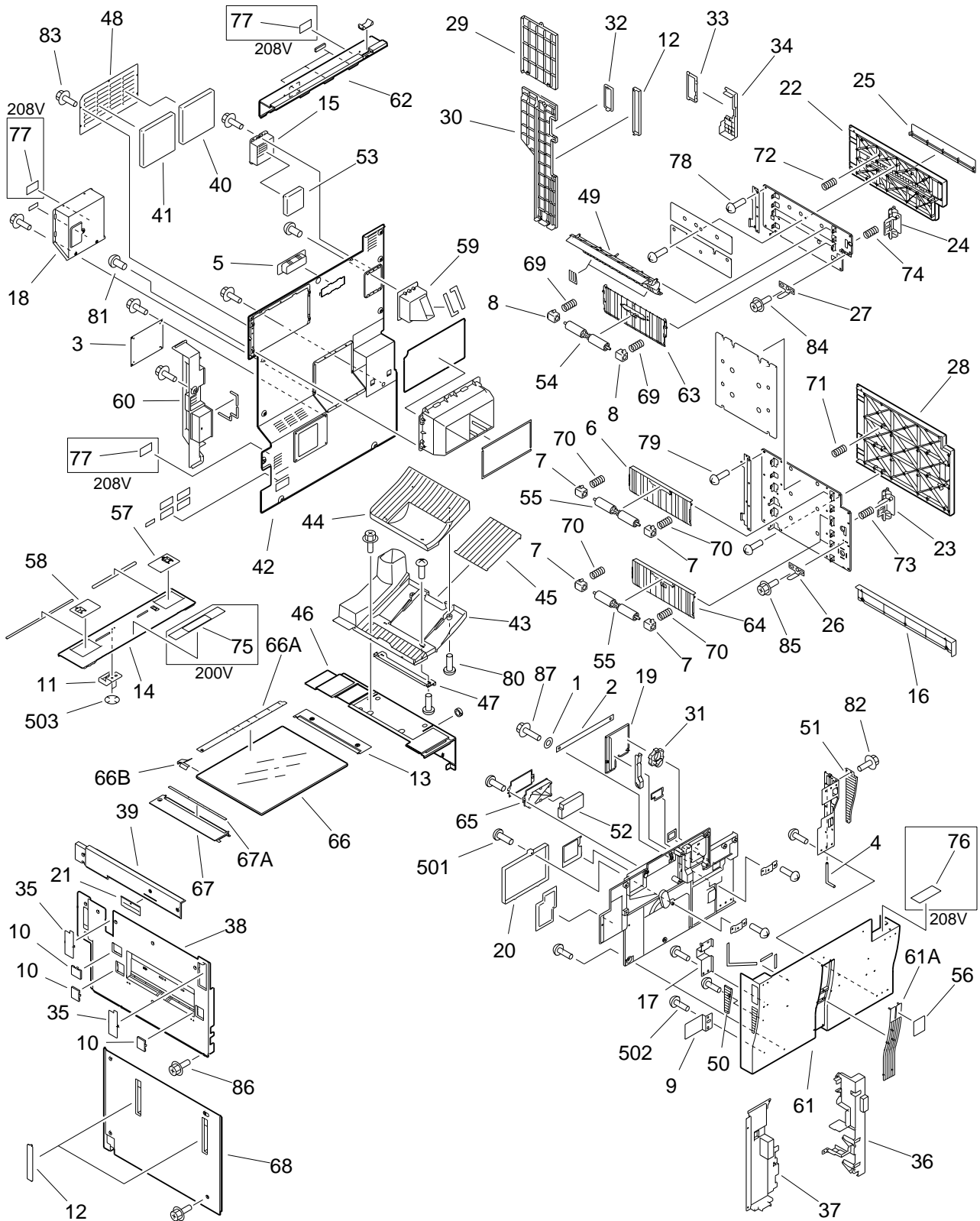


FIGURE & KEY NO.	PART NUMBER	RANK	QTY	DESCRIPTION	SERIAL NUMBER / REMARKS
100 -	NPN		RF	EXTERNAL COVERS, PANELS, ETC.	
1	FA2 - 7162 - 000		1	WASHER, PLAIN	
2	FA6 - 0745 - 000		1	TAPE, DOOR	
3	FB1 - 7157 - 000		1	COVER	
4	FB2 - 0037 - 000		1	PIN, HINGE	
5	FB2 - 1492 - 000		1	HANDLE	
6	FB2 - 7750 - 000		1	GUIDE, VERTICAL PATH SWING	
7	FB2 - 7755 - 000		6	BUSHING	
8	FB2 - 7755 - 000		2	BUSHING	
9	FB2 - 7864 - 000		1	PLATE, MAGNET	
10	FB2 - 8021 - 000		3	COVER, CAP, LEFT	
11	FB2 - 8043 - 000		1	SUPPORT, REAR COVER, UPPER	
12	FB2 - 8102 - 000		3	COVER, HANDLE, 1	
13	FB2 - 8226 - 000		1	SUPPORT, GLASS, RIGHT	
14	FB4 - 1359 - 000		1	COVER, REAR UPPER	
15	FB4 - 1391 - 000		1	CASE, OZONE FILTER, DRUM	
16	FB4 - 1423 - 000		1	COVER, RIGHT LOWER	
17	FB4 - 1437 - 000		1	ACTUATOR	
18	FB4 - 1558 - 000		1	COVER, CONNECTOR	
19	FB4 - 1717 - 000		1	COVER, TOOL	
20	FB4 - 1727 - 000		1	COVER, SERVICE BOOK	
21	FB4 - 1735 - 000		1	PLATE, MIRROR MOUNT STOP	
22	FB4 - 1960 - 000		1	RIGHT DOOR, UPPER	
23	FB4 - 1965 - 000		1	HANDLE, RIGHT DOOR	
24	FB4 - 1965 - 000		1	HANDLE, RIGHT DOOR	
25	FB4 - 1967 - 000		1	PLATE, BLANKING	
26	FB4 - 1969 - 000		1	FLAG, RIGHT DOOR SENSOR	
27	FB4 - 1969 - 000		1	FLAG, RIGHT DOOR SENSOR	
28	FB4 - 1970 - 000		1	RIGHT DOOR, LOWER	
29	FB4 - 5297 - 000		1	COVER, RIGHT REAR	

FIGURE & KEY NO.	PART NUMBER	RANK	QTY	DESCRIPTION	SERIAL NUMBER / REMARKS
100 - 30	FB4 - 5298 - 000		1	COVER, WASTE TONER	
31	FB4 - 5311 - 000		1	KNOB, DRUM	
32	FB4 - 7478 - 000		1	COVER, LATCH, RIGHT	
33	FB4 - 7882 - 000		1	COVER, LATCH BLANKING	
34	FB4 - 7883 - 000		1	COVER, HANDLE	
35	FB5 - 6916 - 000		2	COVER, BLANKING	
36	FB5 - 6988 - 000		1	COVER, RIGHT LOWER, INSIDE	
37	FB5 - 6989 - 000		1	COVER, LEFT LOWER, INSIDE	
38	FB5 - 6992 - 000		1	COVER, LEFT UPPER	
39	FB5 - 7001 - 000		1	COVER, LEFT UPPER, SMALL	
40	FB6 - 0397 - 000		1	FILTER, OZONE, SEPARATION	
41	FB6 - 0403 - 000		1	FILTER, OZONE, FIXING	
42	FB6 - 0404 - 000		1	PANEL, REAR	
43	FB6 - 0442 - 000		1	TRAY, ADF DELIVERY	
44	FB6 - 0443 - 000		1	TRAY, DELIVERY, 1	
45	FB6 - 0444 - 000		1	TRAY, DELIVERY, 3	
46	FB6 - 0446 - 000		1	COVER, RIGHT UPPER	
47	FB6 - 0448 - 000		1	TRAY, DELIVERY, 2	
48	FB6 - 0500 - 000		1	COVER, FILTER	
49	FB6 - 0528 - 000		1	GUIDE, REGISTRATION, SWING	
50	FB6 - 0589 - 000		1	GUIDE, AIR, 1	
51	FB6 - 0590 - 000		1	GUIDE, AIR, 2	
52	FB6 - 0603 - 000		1	FILTER, AIR, PRIMARY	
53	FB6 - 0776 - 000		1	FILTER, OZONE, DRUM	
54	FB6 - 2397 - 000		1	ROLLER	
55	FB6 - 2397 - 000		3	ROLLER	
56	FB6 - 2415 - 000		1	EMBLEM	200/220/240V
	FB6 - 2416 - 000		1	EMBLEM	208V
57	FF5 - 5593 - 030		1	PLATE, POCKET, RIGHT	
58	FF5 - 5594 - 030		1	PLATE, POCKET, LEFT 2	

FIGURE & KEY NO.	PART NUMBER	RANK	QTY	DESCRIPTION	SERIAL NUMBER / REMARKS
100 - 59	FF5 - 7942 - 000		1	DUCT, DRUM, 3	
60	FF6 - 1067 - 000		1	PANEL, SYSTEM CONNECTOR	
61	FF6 - 1524 - 000		1	PANEL, FRONT	
61 A	FB5 - 6996 - 000		1	PLATE, FRONT COVER	
62	FF6 - 1526 - 000		1	COVER, REAR UPPER	
63	FF6 - 1531 - 000		1	GUIDE, VERTICAL PATH SWING, U	
64	FF6 - 1532 - 000		2	GUIDE, VERTICAL PATH SWING, L	
65	FF6 - 1541 - 000		1	CASE, AIR FILTER, 1	
66	FF6 - 1849 - 000		1	GLASS, COPYBOARD	AB SIZE
	FF6 - 1998 - 000		1	GLASS, COPYBOARD	A/INCH SIZE
	FF6 - 1997 - 000		1	GLASS, COPYBOARD	A SIZE
	FF6 - 1999 - 000		1	GLASS, COPYBOARD	AB/INCH SIZE
66 A	FS7 - 8291 - 000		1	PLATE, LENGTH INDEX	AB SIZE
	FS7 - 8319 - 000		1	PLATE, LENGTH INDEX	A/INCH SIZE
	FS7 - 8318 - 000		1	PLATE, LENGTH INDEX	A SIZE
66 B	FS7 - 8320 - 000		1	PLATE, LENGTH INDEX	AB/INCH SIZE
	FB3 - 9907 - 000		1	PLATE, GROUNDING	
67	FF6 - 1850 - 000		1	SUPPORT, GLASS, LEFT	AB SIZE
	FF6 - 2002 - 000		1	SUPPORT, GLASS, LEFT	A/INCH SIZE
	FF6 - 2001 - 000		1	SUPPORT, GLASS, LEFT	A SIZE
67 A	FF6 - 2003 - 000		1	SUPPORT, GLASS, LEFT	AB/INCH SIZE
	FS7 - 8290 - 000		1	PLATE, SIZE INDEX	AB SIZE
	FS7 - 8323 - 000		1	PLATE, SIZE INDEX	A/INCH SIZE
	FS7 - 8322 - 000		1	PLATE, SIZE INDEX	A SIZE
	FS7 - 8324 - 000		1	PLATE, SIZE INDEX	AB/INCH SIZE
68	FF9 - 1901 - 000		1	LEFT PANEL, LOWER	
69	FS5 - 2921 - 000		2	SPRING, COMPRESSION	
70	FS5 - 2921 - 000		6	SPRING, COMPRESSION	
71	FS5 - 2922 - 000		4	SPRING, COMPRESSION	
72	FS5 - 2922 - 000		6	SPRING, COMPRESSION	

FIGURE & KEY NO.	PART NUMBER	RANK	QTY	DESCRIPTION	SERIAL NUMBER / REMARKS
100 - 73	FS6 - 2826 - 000		1	SPRING, COMPRESSION	
74	FS6 - 2826 - 000		1	SPRING, COMPRESSION	
75	FS6 - 8823 - 000		1	LABEL, CLEANING INDICATE	200V
76	FS6 - 8992 - 000		1	LABEL, TONER	208V
77	FS8 - 8194 - 000		3	LABEL, "WARNING CONNECTOR"	208V
78	XA9 - 0605 - 000		7	SCREW,M4X8	
79	XA9 - 0605 - 000		15	SCREW,M4X8	
80	XA9 - 0606 - 000		6	SCREW,P,M4X10	
81	XA9 - 0615 - 000		8	SCREW,M4X8	
82	XA9 - 0628 - 000		2	SCREW,RS,M4X8	
83	XA9 - 0629 - 000		11	SCREW,RS,M4X8	
84	XA9 - 0629 - 000		1	SCREW,RS,M4X8	
85	XA9 - 0629 - 000		1	SCREW,RS,M4X8	
86	XA9 - 0643 - 000		AR	SCREW,RS,M4X10	
87	XA9 - 0721 - 000		2	SCREW,RS,M4X10	
501	XB1 - 2400 - 606		3	SCREW,MACH.,TRUSS HEAD,M4X6	
502	XB4 - 5401 - 006		21	SCREW,P,M4X10	
503	XD2 - 2300 - 402		2	RING,TOOTHED LOCK	

FIGURE 101 MACHINE FRONT PLATE

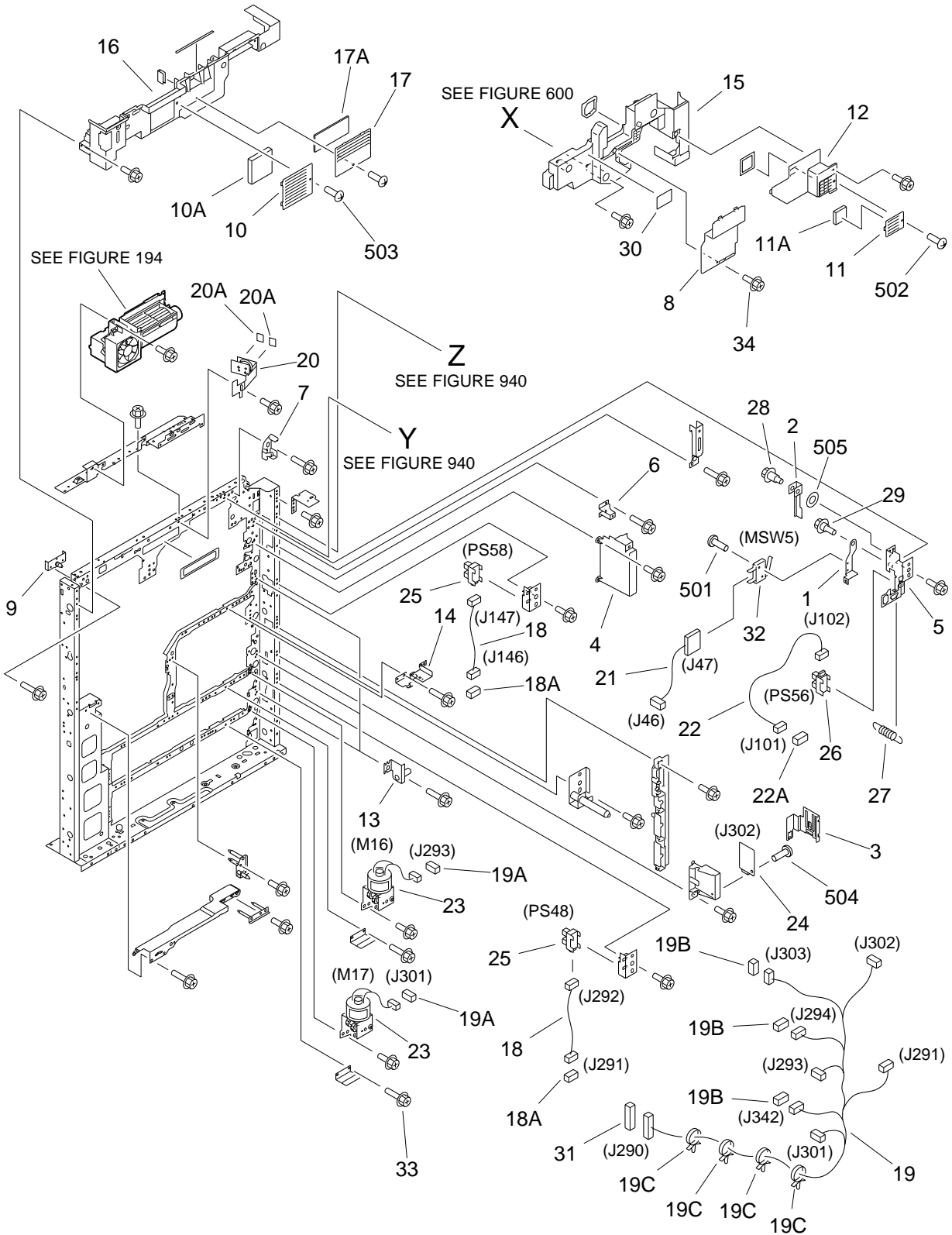


FIGURE & KEY NO.	PART NUMBER	RANK	QTY	DESCRIPTION	SERIAL NUMBER / REMARKS
101 -	NPN		RF	MACHINE FRONT PLATE	
1	FB2 - 7559 - 000		1	MOUNT, SWITCH	
2	FB2 - 7560 - 000		1	COVER, SWITCH	
3	FB2 - 8345 - 000		1	PLATE, GROUNDING	
4	FB4 - 1386 - 000		1	COVER, INTERNAL, RIGHT LOWER	
5	FB4 - 1430 - 000		1	HOLDER, DOOR SENSOR	
6	FB4 - 5257 - 000		1	PLATE, TAPE	
7	FB5 - 0532 - 000		1	GUIDE, POTENTIAL CONTROL CABLE	
8	FB6 - 0405 - 000		1	COVER, INTERNAL, PRIMARY	
9	FF5 - 7658 - 000		1	PLATE, POSITIONING, FIXING	
10	FF5 - 7662 - 000		1	COVER, FILTER	
10 A	FB4 - 1409 - 000		1	FILTER, AIR	
11	FF5 - 7664 - 000		1	COVER, FILTER	
11 A	FB4 - 1407 - 000		1	FILTER, AIR	
12	FF5 - 7882 - 020		1	COVER, INTERNAL, PRE-TRANSFER	
13	FF5 - 8139 - 000		3	PLATE, POSITIONING, FRONT	
14	FF5 - 8152 - 000		1	PLATE, LOCK, RIGHT	
15	FF6 - 1336 - 000		1	COVER, INTERNAL, AP KIT	
16	FF6 - 1501 - 000		1	COVER, INTERNAL, UPPER	
17	FF6 - 1529 - 000		1	COVER, FILTER	
17 A	FB6 - 0582 - 000		1	FILTER, PRIMARY FAN	
18	FG6 - 1892 - 000		2	CABLE, RIGHT DOOR OPEN/CLOSE	J146,147 J291,292
18 A	VS1 - 5057 - 004		2	CONNECTOR, SNAP TIGHT	J146,291
19	FG6 - 1901 - 000		1	CABLE, MACHINE FRONT LOWER	J290,291,293,294 J301,302,303,342
19 A	VS1 - 5057 - 002		2	CONNECTOR, SNAP TIGHT	J293,301
19 B	VS1 - 5057 - 003		3	CONNECTOR, SNAP TIGHT	J294,303,342
19 C	WT2 - 5565 - 000		4	CLAMP, CABLE	
20	FG6 - 2023 - 000		1	BEAM DETECT SENSOR PCB ASS'Y	
20 A	FB4 - 3118 - 000		2	SHEET, LIGHT BLOCKING	
21	FG6 - 2328 - 000		1	CABLE, MULTI DOOR INTERLOCK	J46,47

FIGURE & KEY NO.	PART NUMBER	RANK	QTY	DESCRIPTION	SERIAL NUMBER / REMARKS
101 - 22	FG6 - 2330 - 000		1	CABLE, MULTI DOOR, CONNECTING	J101,102
22A	VS1 - 5057 - 003		1	CONNECTOR, SNAP TIGHT	J101
23	FH6 - 1960 - 000		2	MOTOR, DC	M16,17 J293,301
24	FH7 - 7426 - 000		1	SENSOR, HUMIDITY	J302
25	FH7 - 7462 - 000		2	PHOTO-INTERRUPTER	PS48,58 J292,147
26	FH7 - 7462 - 000		1	PHOTO-INTERRUPTER	PS56 J102
27	FS5 - 2958 - 000		1	SPRING, TENSION	
28	FS5 - 9166 - 000		1	SCREW, STEPPED, M4	
29	FS5 - 9216 - 000		1	SCREW, RS STEPPED, M4	
30	FS6 - 8821 - 000		1	LABEL, "WARNING LASER"	200/208V
	FS6 - 8822 - 000		1	LABEL, "WARNING LASER"	220/240V
31	VS1 - 6319 - 022		1	CONNECTOR, SNAP TIGHT	J290
32	WC4 - 5153 - 000		1	MICRO SWITCH	MSW5 J47
33	XA9 - 0630 - 000		18	SCREW, RS, M4X10	
34	XA9 - 0643 - 000		AR	SCREW, RS, M4X10	
501	XB1 - 2230 - 809		2	SCREW, MACH., TRUSS HEAD, M2.3X8	
502	XB1 - 2400 - 606		1	SCREW, MACH., TRUSS HEAD, M4X6	
503	XB1 - 2400 - 806		2	SCREW, MACH., TRUSS HEAD, M4X8	
504	XB4 - 7300 - 609		1	SCREW, TAPPING, TRUSS HEAD, M3X6	
505	XD1 - 1104 - 135		1	SHIM	

FIGURE 102 INTERNAL COMPONENTS 1

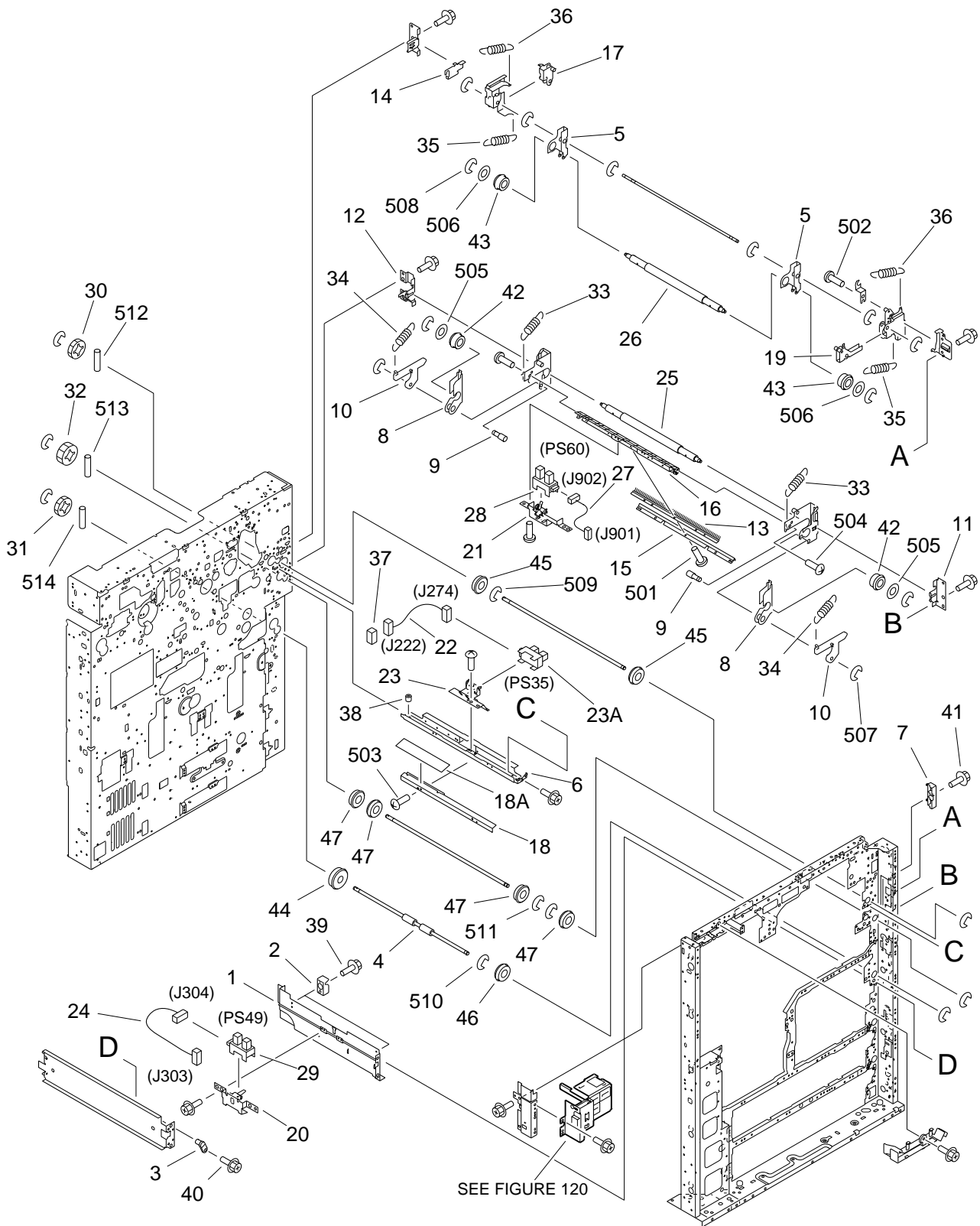


FIGURE & KEY NO.	PART NUMBER	RANK	QTY	DESCRIPTION	SERIAL NUMBER / REMARKS
102 -	NPN		RF	INTERNAL COMPONENTS 1	
1	FB2 - 8002 - 030		1	GUIDE, VERTICAL PATH, MIDDLE	
2	FB2 - 8003 - 000		2	GUIDE, SWING	
3	FB2 - 8010 - 000		1	PLATE, PIN	
4	FB4 - 1350 - 000		1	ROLLER, VERTICAL PATH	
5	FB4 - 3732 - 000		2	ARM, PRESSURE	
6	FB4 - 3741 - 020		1	GUIDE, CURL	
7	FB4 - 3773 - 000		1	HOOK, MULTI DOOR	
8	FB4 - 3814 - 000		2	ARM, PRESSURE	
9	FB4 - 3816 - 000		2	SHAFT, PRESSURE	
10	FB4 - 3817 - 000		2	ARM, PRESSURE RELEASE	
11	FB4 - 3822 - 000		1	PLATE, HOLDER, FRONT	
12	FB4 - 3823 - 000		1	PLATE, HOLDER, REAR	
13	FB4 - 5093 - 020		1	PLATE, HORIZON. PATH GROUNDING	
14	FB4 - 7839 - 000		1	PLATE, SHAFT STOP	
15	FB5 - 8723 - 000		1	GUIDE, VERTICAL PASS	
16	FB6 - 0529 - 000		1	GUIDE, VERTICAL PATH, 2	
17	FF5 - 7667 - 000		1	ARM, RELEASE, REAR	
18	FF5 - 8141 - 000		1	GUIDE, DELIVERY	
18 A	FB4 - 3743 - 000		1	SHEET, GUIDE	
19	FF5 - 8147 - 000		1	ARM, RELEASE, FRONT	
20	FF5 - 8194 - 000		1	MOUNT, PAPER SENSOR	
21	FF6 - 1516 - 000		1	MOUNT, VERTICAL PATH	
22	FG6 - 1867 - 000		1	CABLE, MULTI CURL INLET SENSOR	J222,274
23	FG6 - 2305 - 000		1	CURL SENSOR UNIT	
23 A	FH7 - 7462 - 000		1	PHOTO-INTERRUPTER	PS35 J274
24	FG6 - 2331 - 000		1	CABLE, PATH SENSOR CONNECTING	J303,304
25	FG6 - 5396 - 000		1	ROLLER, FOAM RUBBER	
26	FG6 - 5396 - 000		1	ROLLER, FOAM RUBBER	
27	FG6 - 8620 - 000		1	CABLE, WRITING SENSOR	J901,902

FIGURE & KEY NO.	PART NUMBER	RANK	QTY	DESCRIPTION	SERIAL NUMBER / REMARKS
102 - 28	FH7 - 7394 - 000		1	PHOTO-INTERRUPTER	PS60 J902
29	FH7 - 7462 - 000		1	PHOTO-INTERRUPTER	PS49 J304
30	FS2 - 0566 - 000		1	GEAR, 18T	
31	FS2 - 0566 - 000		1	GEAR, 18T	
32	FS5 - 0514 - 000		1	GEAR, 20T	
33	FS6 - 2825 - 000		2	SPRING, TENSION	
34	FS6 - 2828 - 000		2	SPRING, TENSION	
35	FS6 - 2888 - 000		2	SPRING, TENSION	
36	FS6 - 2889 - 000		2	SPRING, TENSION	
37	VS1 - 5057 - 003		1	CONNECTOR, SNAP TIGHT	J222
38	WT2 - 0184 - 000		1	BUSHING	
39	XA9 - 0628 - 000		4	SCREW,RS,M4X8	
40	XA9 - 0628 - 000		1	SCREW,RS,M4X8	
41	XA9 - 0643 - 000	AR		SCREW,RS,M4X10	
42	XG3 - 6012 - 405		2	BEARING, BALL	
43	XG3 - 6012 - 405		2	BEARING, BALL	
44	XG9 - 0249 - 000		1	BEARING, BALL	
45	XG9 - 0250 - 000		2	BEARING, BALL	
46	XG9 - 0250 - 000		1	BEARING, BALL	
47	XG9 - 0250 - 000		4	BEARING, BALL	
501	XB1 - 2300 - 609		1	SCREW,MACH.,TRUSS HEAD,M3X6	
502	XB1 - 2300 - 609		3	SCREW,MACH.,TRUSS HEAD,M3X6	
503	XB1 - 2300 - 609		5	SCREW,MACH.,TRUSS HEAD,M3X6	
504	XB1 - 2400 - 609		4	SCREW,MACH.,TRUSS HEAD,M4X6	
505	XD1 - 1106 - 218		2	SHIM	
506	XD1 - 1106 - 223		2	SHIM	
507	XD2 - 1100 - 502		8	RING,E	
508	XD2 - 1100 - 502		4	RING,E	
509	XD2 - 1100 - 642		3	RING,E	
510	XD2 - 1100 - 642		3	RING,E	

FIGURE & KEY NO.	PART NUMBER	R A N K	Q' T Y	DESCRIPTION	SERIAL NUMBER / REMARKS
102 - 511	XD2 - 1100 - 642		4	RING,E	
512	XD3 - 2200 - 122		1	PIN,DOWEL	
513	XD3 - 2200 - 122		1	PIN,DOWEL	
514	XD3 - 2200 - 122		1	PIN,DOWEL	

FIGURE 103 INTERNAL COMPONENTS 2

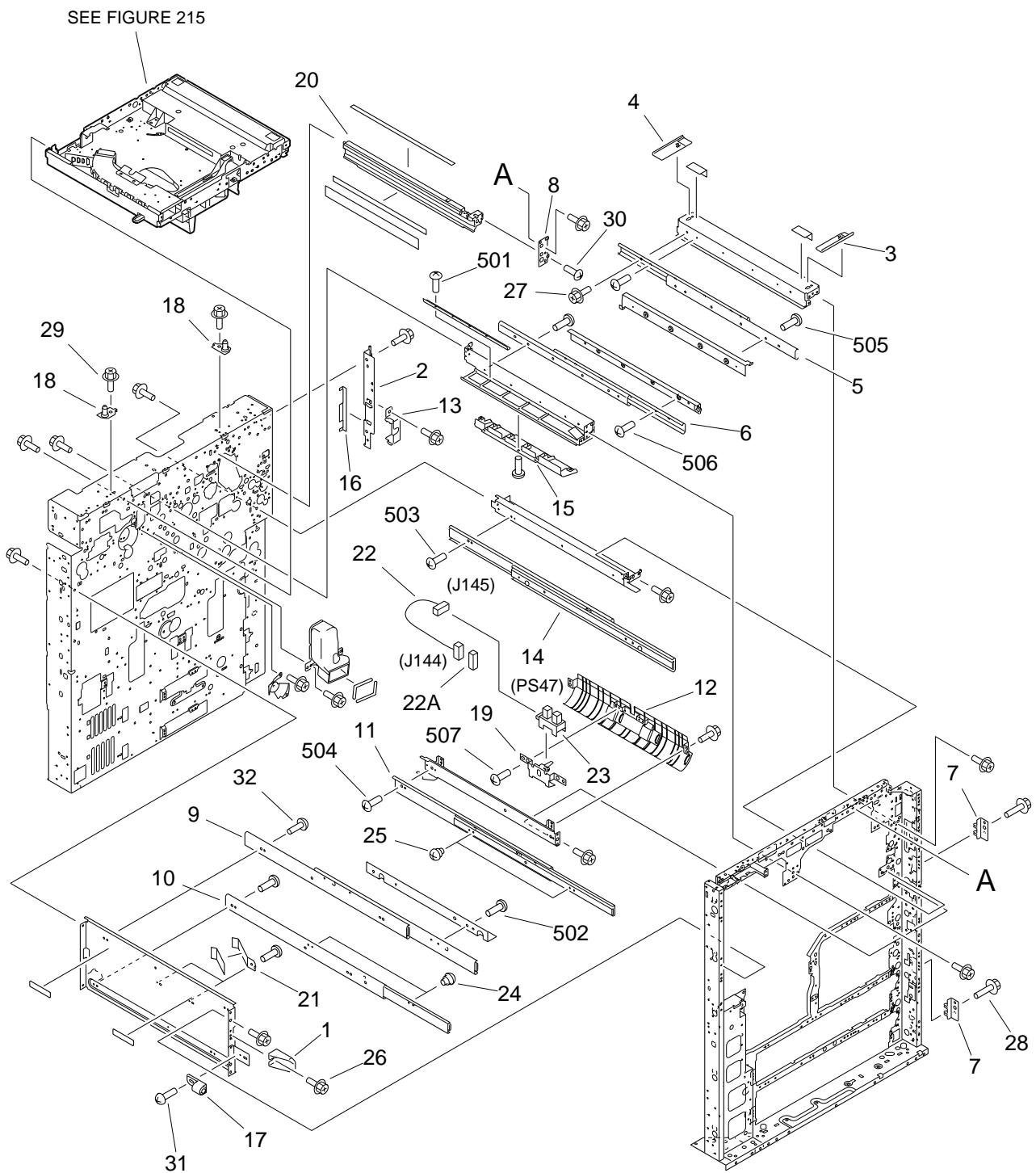


FIGURE & KEY NO.	PART NUMBER	RANK	QTY	DESCRIPTION	SERIAL NUMBER / REMARKS
103 -	NPN		RF	INTERNAL COMPONENTS 2	
1	FB2 - 8041 - 000		1	BLOCK, CLOSE	
2	FB4 - 1333 - 000		1	HINGE, MULTI DOOR	
3	FB4 - 1410 - 000		1	RAIL, SLIDE, FRONT	
4	FB4 - 1411 - 000		1	RAIL, SLIDE, REAR	
5	FB4 - 1418 - 000		1	RAIL, SLIDE	
6	FB4 - 1418 - 000		1	RAIL, SLIDE	
7	FB4 - 1421 - 000		2	MOUNT, LATCH	
8	FB4 - 1957 - 000		1	PLATE, RAIL POSITIONING	
9	FB4 - 2041 - 000		1	RAIL, SLIDE, FIXING/FEEDER	
10	FB4 - 2042 - 000		1	RAIL, SLIDE, DUPLEXING	
11	FB4 - 2042 - 000		1	RAIL, SLIDE, DUPLEXING	
12	FB4 - 3811 - 000		1	GUIDE, VERTICAL PATH	
13	FB4 - 7833 - 000		1	COVER, CONNECTOR, MULTI	
14	FB4 - 7845 - 000		1	RAIL, SLIDE, FIXING/FEEDER	
15	FB5 - 6862 - 000		1	DUCT, AIR BLOW	
16	FB6 - 2717 - 000		1	SHEET, MULTI PROTECTIVE	
17	FF5 - 2930 - 000		1	MOUNT, MAGNET	
18	FF5 - 7655 - 000		2	PLATE, LENS MOUNT POSITIONING	
19	FF5 - 8194 - 000		1	MOUNT, PAPER SENSOR	
20	FF5 - 8661 - 000		1	RAIL, PRIMARY, RIGHT	
21	FF5 - 8895 - 030		2	SPRING, LEAF	
22	FG6 - 1896 - 000		1	CABLE, PATH SENSOR CONNECTING	J144,145
22A	VS1 - 5057 - 003		1	CONNECTOR, SNAP TIGHT	J144
23	FH7 - 7462 - 000		1	PHOTO-INTERRUPTER	PS47 J145
24	FS2 - 9343 - 000		2	SCREW, STEPPED, M4	
25	FS2 - 9343 - 000		2	SCREW, STEPPED, M4	
26	XA9 - 0628 - 000		2	SCREW, RS, M4X8	
27	XA9 - 0628 - 000		2	SCREW, RS, M4X8	
28	XA9 - 0630 - 000		2	SCREW, RS, M4X10	

FIGURE & KEY NO.	PART NUMBER	RANK	QTY	DESCRIPTION	SERIAL NUMBER / REMARKS
103 - 29	XA9 - 0643 - 000		AR	SCREW,RS,M4X10	
30	XA9 - 0915 - 000		1	SCREW,M3X6	
31	XA9 - 0924 - 000		1	SCREW,W/WASHER,M3X8	
32	XA9 - 1331 - 000		3	SCREW,MACH.,TRUSS HEAD,M4X4	
501	XB1 - 2300 - 609		5	SCREW,MACH.,TRUSS HEAD,M3X6	
502	XB1 - 2400 - 409		6	SCREW,MACH.,TRUSS HEAD,M4X4	
503	XB1 - 2400 - 409		3	SCREW,MACH.,TRUSS HEAD,M4X4	
504	XB1 - 2400 - 409		3	SCREW,MACH.,TRUSS HEAD,M4X4	
505	XB1 - 2400 - 609		8	SCREW,MACH.,TRUSS HEAD,M4X6	
506	XB1 - 2400 - 609		8	SCREW,MACH.,TRUSS HEAD,M4X6	
507	XB1 - 2400 - 609		2	SCREW,MACH.,TRUSS HEAD,M4X6	

FIGURE 104 INTERNAL COMPONENTS 3

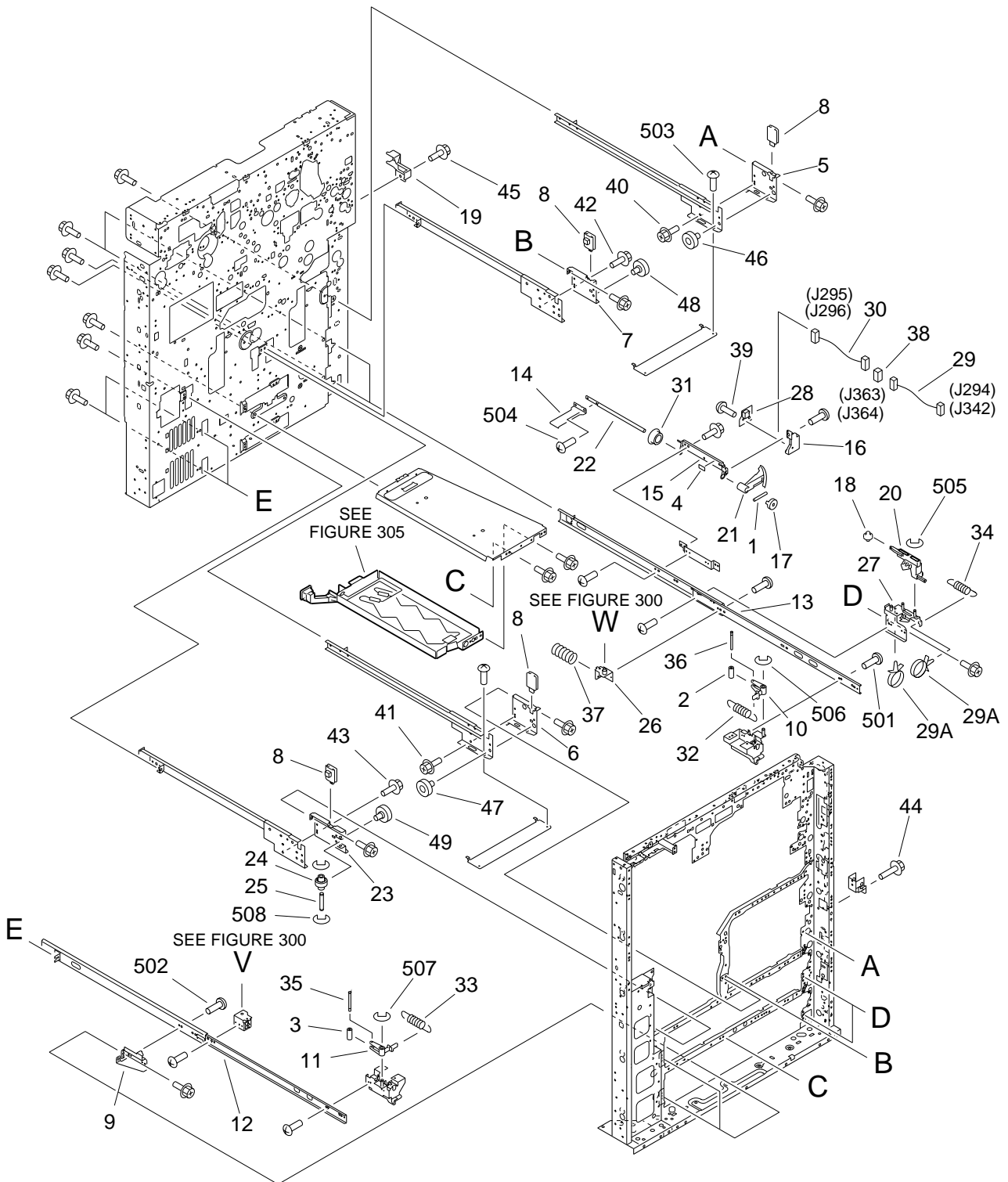


FIGURE & KEY NO.	PART NUMBER	R A N K	Q' T Y	DESCRIPTION	SERIAL NUMBER / REMARKS
104 -	NPN		RF	INTERNAL COMPONENTS 3	
1	FA5 - 2924 - 000		1	PIN,DOWEL	
2	FA9 - 1969 - 000		1	ROLLER, TRANSFER	
3	FA9 - 1969 - 000		2	ROLLER, TRANSFER	
4	FA9 - 3822 - 000		1	LABEL, DISCRIMINATE	
5	FB2 - 7887 - 040		1	SUPPORT, RIGHT RAIL	
6	FB2 - 7887 - 040		1	SUPPORT, RIGHT RAIL	
7	FB2 - 7888 - 030		1	SUPPORT, LEFT RAIL	
8	FB2 - 8033 - 020		4	BLOCK, DECK RAIL STOP	
9	FB3 - 9345 - 000		2	SUPPORT, RAIL, LEFT FRONT	
10	FB3 - 9356 - 000		1	LEVER, CASSETTE, RIGHT	
11	FB4 - 0650 - 000		2	LEVER, CASSETTE, LEFT	
12	FB4 - 1341 - 000		2	RAIL, SLIDE, LEFT	
13	FB4 - 1342 - 000		1	RAIL, SLIDE, RIGHT	
14	FB4 - 1355 - 000		1	PLATE, LIFTING	
15	FB4 - 2019 - 000		1	PLATE, GEAR SUPPORT	
16	FB4 - 2023 - 000		1	HOLDER, PAPER SENSOR PCB	
17	FB4 - 2024 - 000		1	COUPLING	
18	FB4 - 5335 - 000		2	ROLLER, CAM	
19	FB4 - 7834 - 000		1	COVER, CONNECTOR, CURL	
20	FB5 - 3351 - 000		1	BUTTON	
21	FB5 - 8735 - 000		1	GEAR, 16T	
22	FB6 - 2369 - 000		1	SHAFT, CASSETTE LIFT	
23	FB6 - 2726 - 000		1	SUPPORT, LEFT RAIL	
24	FB6 - 2727 - 000		1	ROLLER, DECK	
25	FB6 - 2728 - 000		1	SHAFT, ROLLER	
26	FF5 - 7743 - 000		1	MOUNT, CASSETTE, RIGHT	
27	FF5 - 9892 - 000		1	SUPPORT, RAIL, RIGHT FRONT	
28	FG6 - 1941 - 000		2	PAPER SENSOR PCB ASSEMBLY	
29	FG6 - 2334 - 000		1	CABLE, CASSETTE PAPER SENSOR	J294,363 J342,364

FIGURE & KEY NO.	PART NUMBER	RANK	QTY	DESCRIPTION	SERIAL NUMBER / REMARKS
104 - 29A	WT2 - 5178 - 000		2	CLIP, CABLE	
30	FG6 - 6888 - 000		2	CABLE, CASSETTE PAPER SENSOR	J295,363 J296,364
31	FS5 - 1787 - 000		1	BUSHING	
32	FS6 - 2667 - 000		1	SPRING, TENSION	
33	FS6 - 2667 - 000		2	SPRING, TENSION	
34	FS6 - 2847 - 000		1	SPRING, TENSION	
35	FS6 - 4243 - 000		1	SHAFT, ROLLER	
36	FS6 - 4243 - 000		2	SHAFT, ROLLER	
37	FS7 - 2532 - 000		1	SPRING, COMPRESSION	
38	VS1 - 5057 - 003		2	CONNECTOR, SNAP TIGHT	J363,364
39	XA9 - 0596 - 000		1	SCREW,P,M3X6	
40	XA9 - 0628 - 000		1	SCREW,RS,M4X8	
41	XA9 - 0628 - 000		1	SCREW,RS,M4X8	
42	XA9 - 0628 - 000		1	SCREW,RS,M4X8	
43	XA9 - 0628 - 000		1	SCREW,RS,M4X8	
44	XA9 - 0630 - 000		1	SCREW,RS,M4X10	
45	XA9 - 0643 - 000		AR	SCREW,RS,M4X10	
46	XG9 - 0224 - 000		1	BEARING	
47	XG9 - 0224 - 000		1	BEARING	
48	XG9 - 0302 - 000		1	BEARING	
49	XG9 - 0302 - 000		1	BEARING	
501	XB1 - 2400 - 409		7	SCREW,MACH.,TRUSS HEAD,M4X4	
502	XB1 - 2400 - 409		10	SCREW,MACH.,TRUSS HEAD,M4X4	
503	XB1 - 2400 - 409		4	SCREW,MACH.,TRUSS HEAD,M4X4	
504	XB1 - 2400 - 609		3	SCREW,MACH.,TRUSS HEAD,M4X6	
505	XD2 - 1100 - 402		2	RING,E	
506	XD2 - 1100 - 502		2	RING,E	
507	XD2 - 1100 - 502		2	RING,E	
508	XD2 - 1100 - 502		2	RING,E	

FIGURE 105 INTERNAL COMPONENTS 4

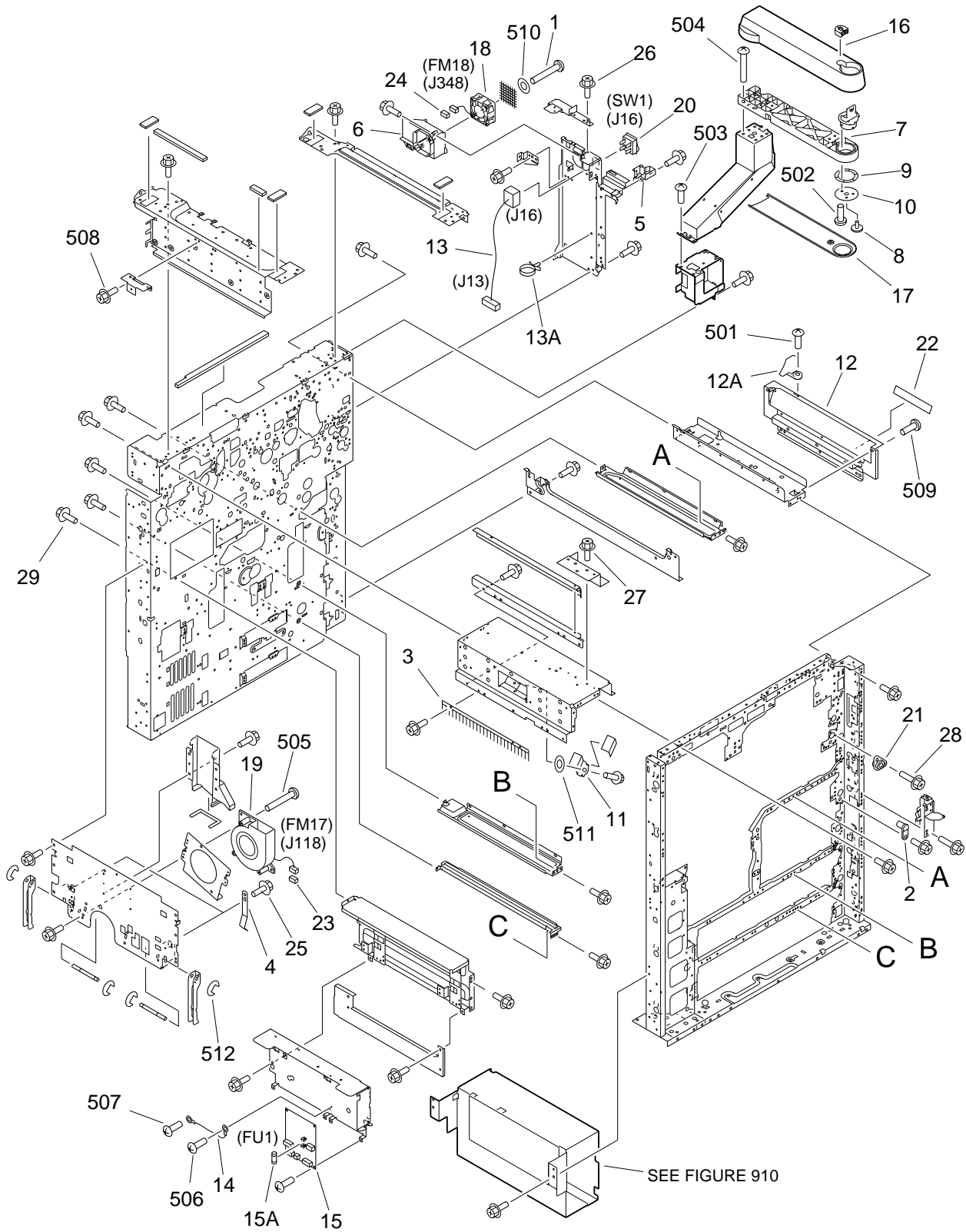


FIGURE & KEY NO.	PART NUMBER	RANK	QTY	DESCRIPTION	SERIAL NUMBER / REMARKS
105 -	NPN		RF	INTERNAL COMPONENTS 4	
1	FA9 - 3622 - 000		2	SCREW,TAPPING, PAN HEAD,M4X35	
2	FB2 - 8010 - 000		1	PLATE, PIN	
3	FB2 - 8248 - 020		1	ELIMINATOR, STATIC CHARGE	
4	FB4 - 9034 - 000		2	SPRING, LEAF	
5	FB5 - 1840 - 000		1	COVER, CARTRIDGE CONNECTOR	
6	FB5 - 7048 - 000		1	DUCT, SCANNER MOTOR FAN	
7	FB6 - 0433 - 000		1	ARM	
8	FB6 - 0439 - 000		1	SCREW,M4	
9	FB6 - 0449 - 000		1	WASHER, WAVE	
10	FB6 - 0450 - 000		1	WASHER	
11	FF5 - 7726 - 000		1	SPRING, LEAF	
12	FG6 - 1971 - 000		1	DEVELOPING SUPPORT PLATE	
12 A	FB4 - 1869 - 000		1	BLOCK, SHUTTER SLIDE	
13	FG6 - 7208 - 000		1	CABLE, MAIN SWITCH	J13,16
13 A	WT2 - 5565 - 000		5	CLAMP, CABLE	
14	FG6 - 7221 - 000		1	CABLE, GROUNDING	
15	FG6 - 7268 - 000		1	ALL DAY POWER PCB ASSEMBLY	
15 A	VD7 - 0642 - 001		1	FUSE, 250V 2A	FU1
16	FG9 - 3878 - 000		1	COVER, ARM	
17	FG9 - 3879 - 000		1	PANEL, ARM LOWER	
18	FH6 - 1740 - 000		1	FAN	FM18 J348
19	FH6 - 1877 - 000		1	FAN	FM17 J118
20	FH7 - 6327 - 000		1	SWITCH, POWER SUPPLY	SW1 J16
21	FS5 - 1798 - 000		1	BUSHING	
22	FS6 - 8820 - 000		1	LABEL, "WARNING LASER"	200/208V
	FS5 - 8623 - 000		1	LABEL, "WARNING LASER"	220/240V
23	VS1 - 5057 - 003		1	CONNECTOR, SNAP TIGHT	J118
24	VS1 - 5057 - 004		1	CONNECTOR, SNAP TIGHT	J348
25	XA9 - 0628 - 000		5	SCREW,RS,M4X8	

FIGURE & KEY NO.	PART NUMBER	RANK	QTY	DESCRIPTION	SERIAL NUMBER / REMARKS
105 - 26	XA9 - 0628 - 000		5	SCREW,RS,M4X8	
27	XA9 - 0628 - 000		9	SCREW,RS,M4X8	
28	XA9 - 0630 - 000		6	SCREW,RS,M4X10	
29	XA9 - 0643 - 000		AR	SCREW,RS,M4X10	
501	XB1 - 2300 - 609		1	SCREW,MACH.,TRUSS HEAD,M3X6	
502	XB1 - 2400 - 805		3	SCREW, MACHINE M4X8 (S)	
503	XB1 - 2401 - 009		6	SCREW,MACH.,TRUSS HEAD,M4X10	
504	XB1 - 2401 - 409		5	SCREW,MACH.,TRUSS HEAD,M4X14	
505	XB1 - 2403 - 509		2	SCREW,MACH.,TRUSS HEAD,M4X35	
506	XB2 - 8401 - 007		4	SCREW,W/WASHER,M4X10	
507	XB2 - 8401 - 007		5	SCREW,W/WASHER,M4X10	
508	XB3 - 6400 - 805		2	SCREW,RS,M4X8	
509	XB6 - 7400 - 609		6	SCREW,TP,M4X6	
510	XD1 - 1105 - 235		2	SHIM	
511	XD1 - 1105 - 239		1	SHIM	
512	XD2 - 1100 - 642		4	RING,E	

FIGURE 106 MACHINE REAR PLATE 1

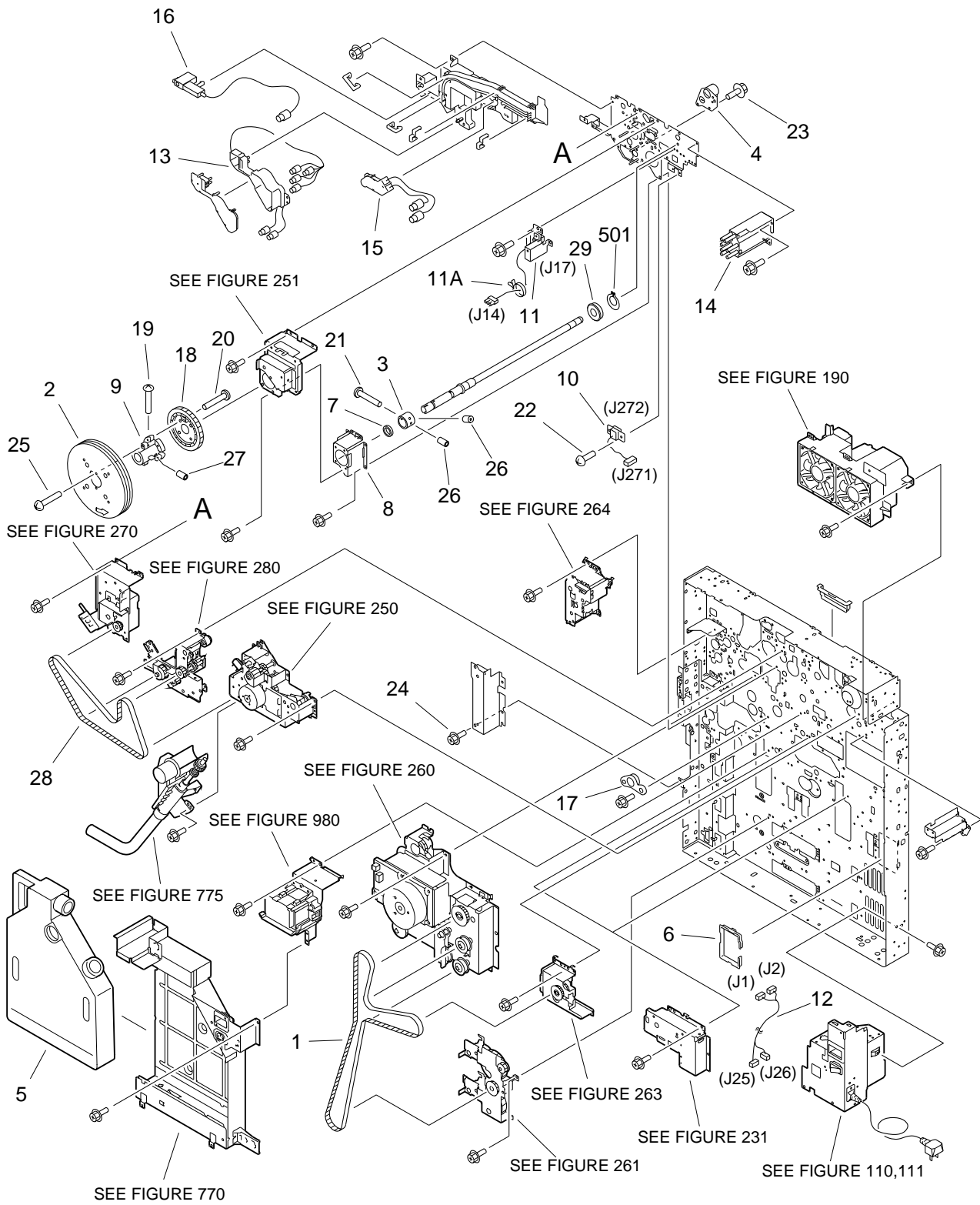


FIGURE & KEY NO.	PART NUMBER	RANK	QTY	DESCRIPTION	SERIAL NUMBER / REMARKS
106 -	NPN		RF	MACHINE REAR PLATE 1	
1	FB4 - 1354 - 000		1	BELT, DRIVE, PAPER PICK-UP	
2	FB4 - 1750 - 000		1	FLYWHEEL	
3	FB4 - 1753 - 000		1	COLLAR, THRUST STOP	
4	FB4 - 1781 - 000		1	HOLDER, POSITIONING, REAR	
5	FB4 - 1953 - 000		1	BOTTLE, WASTE TONER	
6	FB4 - 9032 - 000		1	COVER, EDGE	
7	FB5 - 2596 - 000		1	SPACER, DRUM SHAFT	
8	FB5 - 6882 - 000		1	SUPPORT, BEARING, REAR	
9	FB5 - 6884 - 000		1	SUPPORT, FLYWHEEL	
10	FG6 - 3569 - 000		1	CABLE, BIAS SEPARATION CLAW	J271,272
11	FG6 - 7201 - 000		1	CABLE, DRUM HEATER CONNECTING	J14,17
11 A	WT2 - 5565 - 000		4	CLAMP, CABLE	
12	FG6 - 7211 - 000		1	CABLE, AC INPUT	J1,2,25,26
13	FH2 - 6807 - 000		1	HOLDER, CONNECTOR	
14	FH2 - 9232 - 000		1	JOINT CONNECTOR UNIT, 1	
15	FH2 - 9233 - 000		1	JOINT CONNECTOR UNIT, 2	
16	FH2 - 9235 - 000		1	JOINT CONNECTOR UNIT, 4	
17	FS5 - 1467 - 020		1	BUSHING, 3	
18	FS7 - 0011 - 000		1	GEAR, 90T	
19	XA9 - 0207 - 000		1	SCREW,M4X12	
20	XA9 - 0207 - 000		2	SCREW,M4X12	
21	XA9 - 0207 - 000		1	SCREW,M4X12	
22	XA9 - 0384 - 000		2	SCREW,TP,M3X8	
23	XA9 - 0628 - 000		5	SCREW,RS,M4X8	
24	XA9 - 0643 - 000		AR	SCREW,RS,M4X10	
25	XA9 - 1090 - 000		3	SCREW,W/WASHER,M5X25	
26	XA9 - 1091 - 000		2	SETSCREW,M4X8	
27	XA9 - 1278 - 000		2	SETSCREW,M6X10	
28	XF9 - 0533 - 000		1	BELT, TIMING	

FIGURE & KEY NO.	PART NUMBER	R A N K	Q' T Y	DESCRIPTION	SERIAL NUMBER / REMARKS
106 - 29	XG9 - 0248 - 000		1	BEARING, BALL, 6004ZZNR*C3	
501	XD2 - 3100 - 202		1	RING,C,EXTERNAL	

FIGURE 107 MACHINE REAR PLATE 2

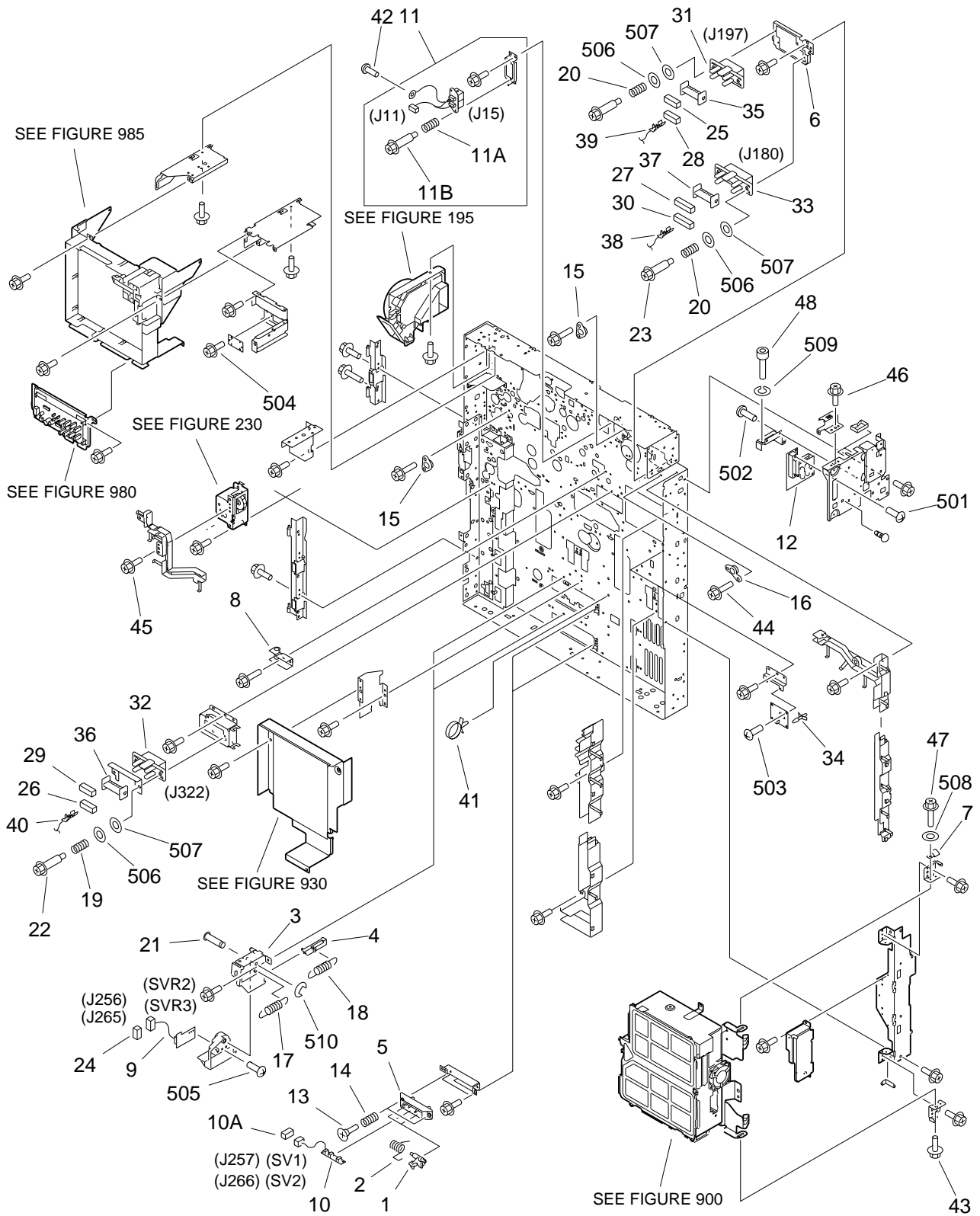


FIGURE & KEY NO.	PART NUMBER	RANK	QTY	DESCRIPTION	SERIAL NUMBER / REMARKS
107 -	NPN		RF	MACHINE REAR PLATE 2	
1	FB1 - 8735 - 000		4	ARM, SENSOR	
2	FB1 - 8737 - 000		4	SPRING, TORSION	
3	FB3 - 9362 - 000		2	MOUNT, VR HOLDER	
4	FB3 - 9363 - 000		2	SHAFT, SLIDE	
5	FB3 - 9364 - 000		2	HOLDER, SWITCH	
6	FB4 - 1447 - 000		1	MOUNT, DC CONNECTOR, 2	
7	FB6 - 0784 - 000		1	SPRING, LEAF, GROUNDING	
8	FF5 - 7665 - 000		1	HOLDER, STOP	
9	FG5 - 1957 - 000		1	CASSETTE VR PCB ASSEMBLY	SVR2,3 J256,265
10	FG5 - 8221 - 000		1	CASSETTE SENSOR PCB ASSEMBLY	SV1,2 J257,266
10 A	VS1 - 5057 - 004		2	CONNECTOR, SNAP TIGHT	J257,266
11	FG6 - 1904 - 000		1	CABLE, FIXING DRAWER CONNECT	J11,15
11 A	FS5 - 2964 - 000		2	SPRING, COMPRESSION	
11 B	FS5 - 9282 - 000		2	SCREW, STEPPED	
12	FG6 - 8604 - 000		1	BICENTRO/DISPLAY PCB ASSEMBLY	
13	FS2 - 9327 - 000		4	SCREW, STEPPED, M4	
14	FS3 - 2044 - 000		4	SPRING, COMPRESSION	
15	FS5 - 1468 - 020		2	BUSHING, 2	
16	FS5 - 1804 - 000		1	BUSHING	
17	FS5 - 2322 - 000		2	SPRING, TENSION	
18	FS5 - 2323 - 020		2	SPRING, TENSION	
19	FS5 - 2965 - 000		2	SPRING, COMPRESSION	
20	FS5 - 2965 - 000		4	SPRING, COMPRESSION	
21	FS5 - 7128 - 000		2	SHAFT	
22	FS5 - 9282 - 000		2	SCREW, STEPPED	
23	FS5 - 9282 - 000		4	SCREW, STEPPED	
24	VS1 - 5057 - 003		2	CONNECTOR, SNAP TIGHT	J256,265
25	VS1 - 6313 - 013		4	CONNECTOR, 13P, FEMALE	J197
26	VS1 - 6313 - 016		3	CONNECTOR, 16P, FEMALE	J322

FIGURE & KEY NO.	PART NUMBER	RANK	QTY	DESCRIPTION	SERIAL NUMBER / REMARKS
107 - 27	VS1 - 6313 - 020		2	CONNECTOR, 20P, FEMALE	J180
28	VS1 - 6314 - 013		6	CONNECTOR, 13P, FEMALE	J197
29	VS1 - 6314 - 016		1	CONNECTOR, 16P, FEMALE	J322
30	VS1 - 6314 - 020		2	CONNECTOR, 20P, FEMALE	J180
31	VS1 - 6328 - 026		1	CONNECTOR, 26P, FEMALE	J197
32	VS1 - 6328 - 032		1	CONNECTOR, 32P, FEMALE	J322
33	VS1 - 6328 - 040		1	CONNECTOR, 40P, FEMALE	J180
34	VT2 - 0001 - 006		2	SUPPORT, PCB	
35	VT2 - 5161 - 026		4	HOLDER, CONNECTOR, 26P	J197
36	VT2 - 5161 - 032		1	HOLDER, CONNECTOR, 32P	J322
37	VT2 - 5161 - 040		2	HOLDER, CONNECTOR, 40P	J180
38	WS3 - 5607 - 000		2	SOCKET CONTACT, 20-24AWG	J180
39	WS3 - 5607 - 000		4	SOCKET CONTACT, 20-24AWG	J197
40	WS3 - 5607 - 000		4	SOCKET CONTACT, 20-24AWG	J322
41	WT2 - 5565 - 000		3	CLAMP, CABLE	
42	XA9 - 0265 - 000		1	SCREW,W/WASHER,TRUSS HEAD	
43	XA9 - 0629 - 000		3	SCREW,RS,M4X8	
44	XA9 - 0630 - 000		10	SCREW,RS,M4X10	
45	XA9 - 0643 - 000	AR		SCREW,RS,M4X10	
46	XA9 - 0643 - 000		1	SCREW,RS,M4X10	
47	XA9 - 0774 - 000		1	SCREW,RS,M4X16	
48	XA9 - 1131 - 000		2	SCREW,M2.6X4	
501	XB1 - 2300 - 506		2	SCREW,MACH.,TRUSS HEAD,M3X5	
502	XB1 - 2400 - 606		4	SCREW,MACH.,TRUSS HEAD,M4X6	
503	XB1 - 2400 - 607		2	SCREW,MACH.,TRUSS HEAD,M4X6	
504	XB3 - 6300 - 800		2	SCREW,RS,M3X8	
505	XB4 - 7400 - 809		2	SCREW,TAPPING,TRUSS HEAD,M4X8	
506	XD1 - 1103 - 633		4	SHIM	
507	XD1 - 1104 - 133		4	SHIM	
508	XD1 - 1106 - 235		1	SHIM	

FIGURE & KEY NO.	PART NUMBER	R A N K	Q' T Y	DESCRIPTION	SERIAL NUMBER / REMARKS
107 - 509	XD1 - 3100 - 307		2	WASHER,SPRING	
510	XD2 - 1100 - 502		2	RING,E	

FIGURE 108 MACHINE BOTTOM PLATE

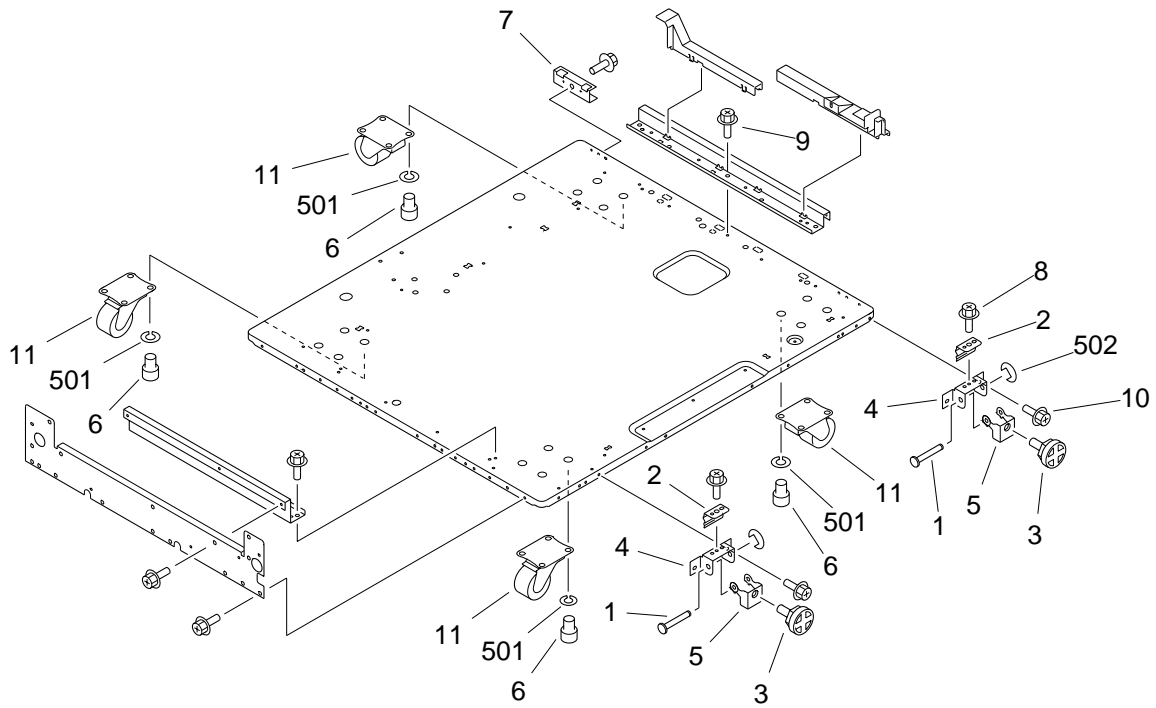
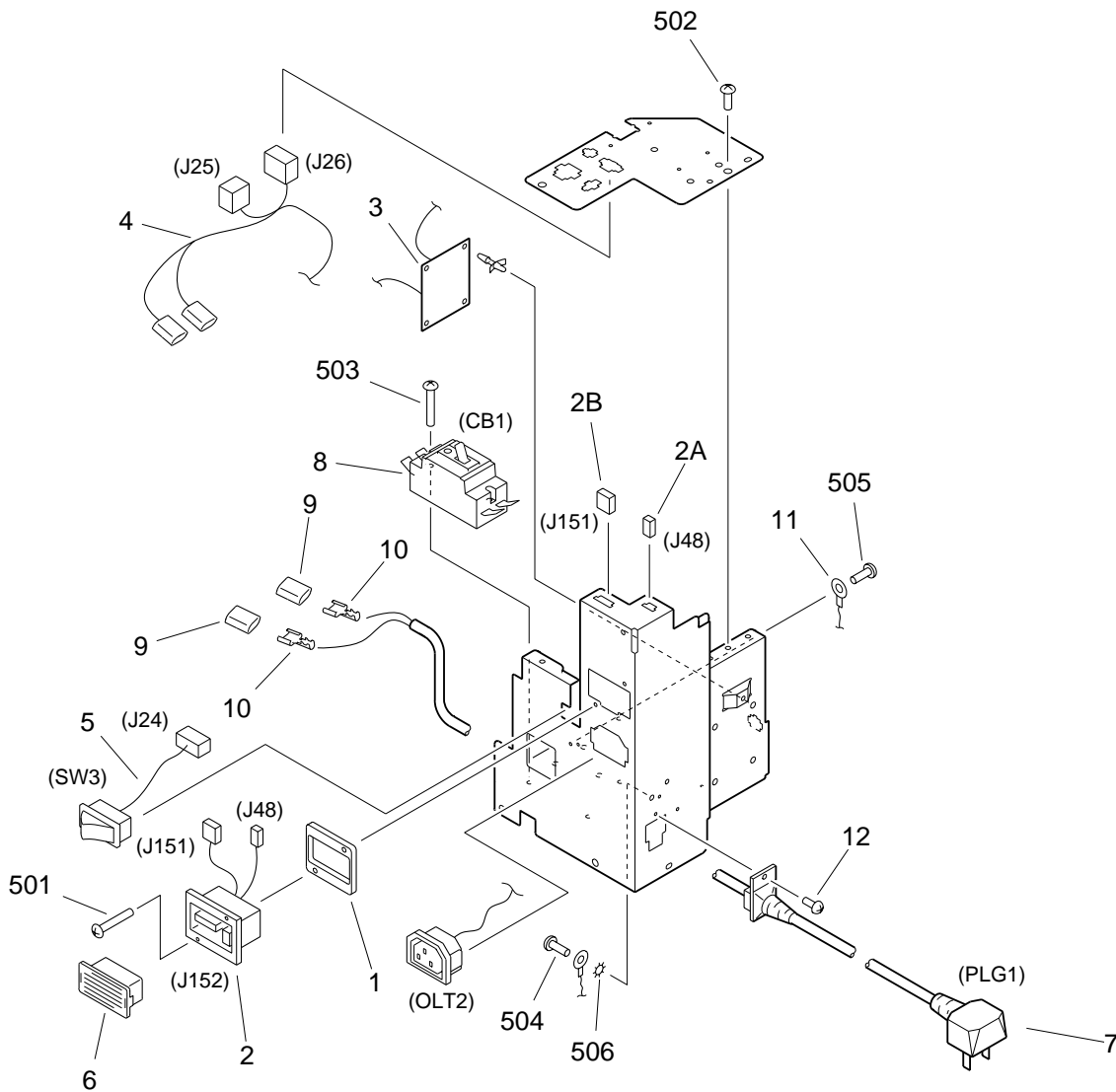


FIGURE & KEY NO.	PART NUMBER	RANK	QTY	DESCRIPTION	SERIAL NUMBER / REMARKS
108 -	NPN		RF	MACHINE BOTTOM PLATE	
1	FB2 - 7899 - 000		2	SHAFT, PIVOT, FRONT	
2	FB2 - 7900 - 000		2	SPRING, LEAF	
3	FB2 - 8506 - 000		2	ADJUSTER	
4	FB4 - 1334 - 000		2	PLATE, ADJUSTING, FRONT	
5	FB4 - 1339 - 000		2	PLATE, PIVOT	
6	FB4 - 1340 - 000		16	SCREW, ALLEN HEAD, M8X10	
7	FB4 - 7846 - 000		1	PLATE, WASTE TONER FIXED	
8	XA9 - 0628 - 000		2	SCREW, RS, M4X8	
9	XA9 - 0628 - 000		10	SCREW, RS, M4X8	
10	XA9 - 0643 - 000		AR	SCREW, RS, M4X10	
11	XZ9 - 0367 - 000		4	CASTER	
501	XD1 - 3100 - 805		16	WASHER, SPRING	
502	XD2 - 1100 - 502		2	RING, E	

POWER CORD TERMINAL ASSEMBLY (200V)

FIGURE 110

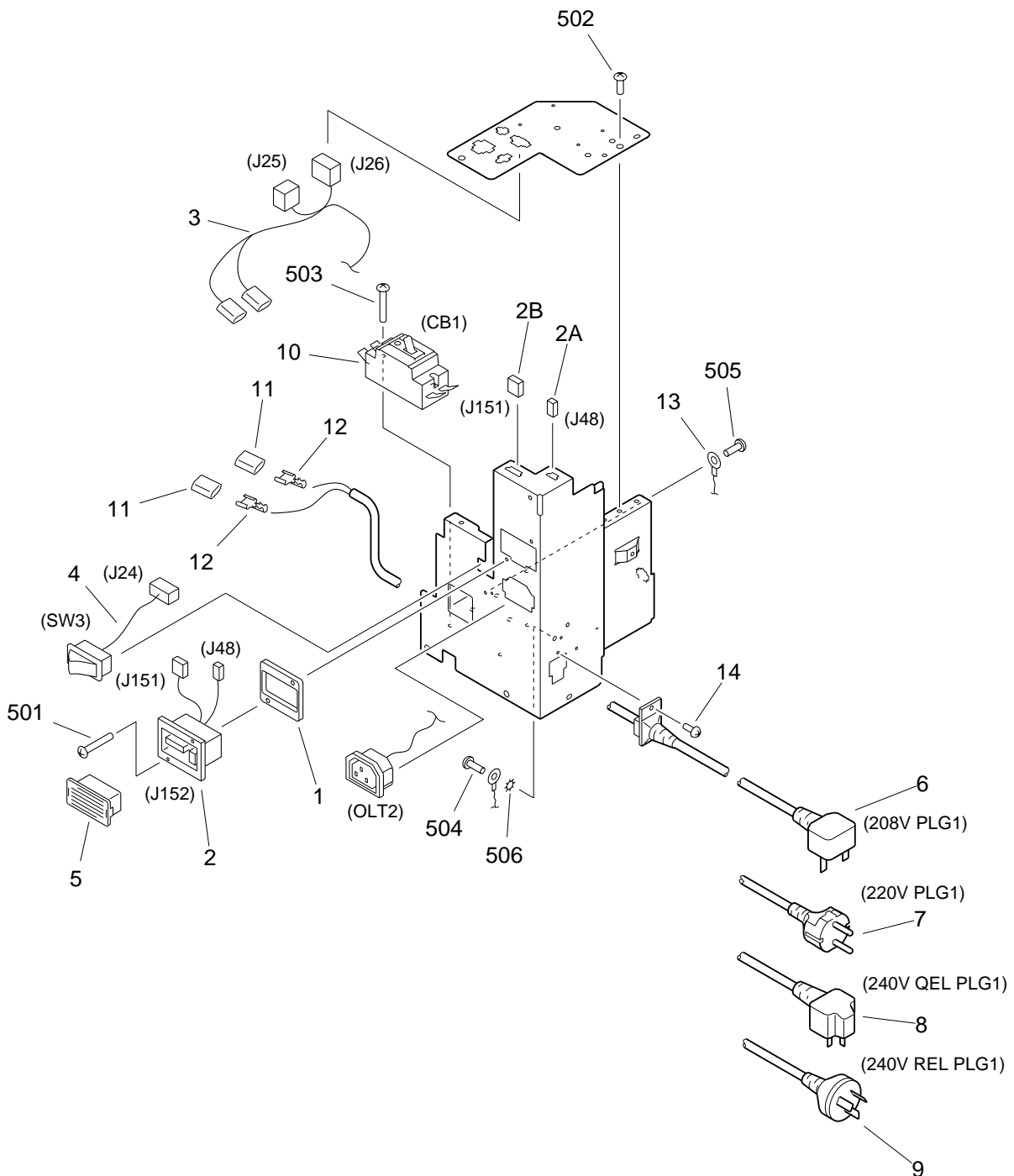


NOTE: This assembly does not include the part shown with key No.6.

FIGURE & KEY NO.	PART NUMBER	RANK	QTY	DESCRIPTION	SERIAL NUMBER / REMARKS
110 -	FG6 - 8005 - 000		1	POWER CORD TERMINAL ASSEMBLY	200V
1	FB4 - 1542 - 000		1	SPACER, LATTICE CABLE	
2	FG6 - 1813 - 000		1	CABLE, LATTICE, FINISHER	J48,151,152
2A	VS1 - 5057 - 002		1	CONNECTOR, SNAP TIGHT	J48
2B	VS1 - 5057 - 005		1	CONNECTOR, SNAP TIGHT	J151
3	FG6 - 6512 - 000		1	CAPACITOR PCB ASSEMBLY	
4	FG6 - 7206 - 000		1	CABLE, OUTLET	OLT2 J25,26
5	FG6 - 7207 - 000		1	CABLE, ENVIRONMENT SWITCH	SW3 J24
6	FH2 - 6552 - 000		1	COVER, CONNECTOR	SEE NOTE
7	FH2 - 6877 - 000		1	CORD, POWER	PLG1
8	FH7 - 7574 - 000		1	BREAKER, ELECTRIC LEAKAGE	CB1
9	WS3 - 5610 - 000		2	CONNECTOR, 1P, FEMALE	
10	WS3 - 5613 - 000		2	SOCKET CONTACT, 10-14AWG	
11	WT1 - 0580 - 000		1	TERMINAL, RING	
12	XA9 - 0739 - 000		1	SCREW,TP,M4X8	
501	XB1 - 2301 - 407		2	SCREW,MACH.,TRUSS HEAD,M3X14	
502	XB1 - 2400 - 606		2	SCREW,MACH.,TRUSS HEAD,M4X6	
503	XB1 - 2402 - 009		2	SCREW,MACH.,TRUSS HEAD,M4X20	
504	XB1 - 2500 - 606		1	SCREW,MACH.,TRUSS HEAD,M5X6	
505	XB2 - 7400 - 606		1	SCREW,W/WASHER,M4X6	
506	XD1 - 4200 - 502		1	WASHER,TOOTHED LOCK	

POWER CORD TERMINAL ASSEMBLY (208/220/240V)

FIGURE 111



NOTE: This assembly does not include the part shown with key No.5.

FIGURE & KEY NO.	PART NUMBER	RANK	QTY	DESCRIPTION	SERIAL NUMBER / REMARKS
111 -	FG6 - 7270 - 000		1	POWER CORD TERMINAL ASSEMBLY	208V
	FG6 - 7271 - 000		1	POWER CORD TERMINAL ASSEMBLY	220V
	FG6 - 7319 - 000		1	POWER CORD TERMINAL ASSEMBLY	240V QEL
	FG6 - 7320 - 000		1	POWER CORD TERMINAL ASSEMBLY	240V REL
	1	FB4 - 1542 - 000		1	SPACER, LATTICE CABLE

2	FG6 - 1813 - 000		1	CABLE, LATTICE, FINISHER	J48,151,152
2 A	VS1 - 5057 - 002		1	CONNECTOR, SNAP TIGHT	J48
2 B	VS1 - 5057 - 005		1	CONNECTOR, SNAP TIGHT	J151
3	FG6 - 7206 - 000		1	CABLE, OUTLET	OLT2 J25,26
4	FG6 - 7207 - 000		1	CABLE, ENVIRONMENT SWITCH	SW3 J24

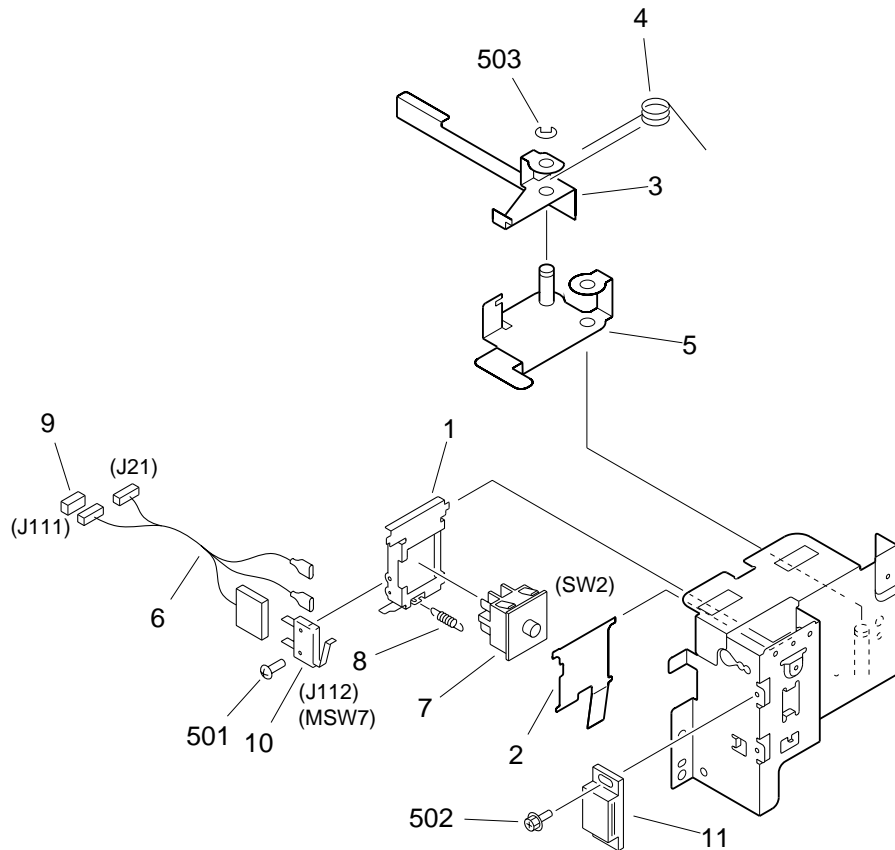
5	FH2 - 6552 - 000		1	COVER, CONNECTOR	SEE NOTE
6	FH2 - 6901 - 000		1	CORD, POWER, 250V 15A	208V PLG1
7	FH2 - 6919 - 000		1	CORD, POWER, 250V 16A	220V PLG1
8	FH2 - 6920 - 000		1	CORD, POWER, 250V 13A	240V QEL PLG1
9	FH2 - 6921 - 000		1	CORD, POWER, 250V 15A	240V REL PLG1

10	FH7 - 7574 - 000		1	BREAKER, ELECTRIC LEAKAGE	CB1
11	WS3 - 5610 - 000		2	CONNECTOR, 1P, FEMALE	
12	WS3 - 5613 - 000		2	SOCKET CONTACT, 10-14AWG	208V
	WS3 - 5612 - 000		2	SOCKET CONTACT	220/240V
13	WT1 - 0580 - 000		1	TERMINAL, RING	

14	XA9 - 0739 - 000		1	SCREW,TP,M4X8	
501	XB1 - 2301 - 407		2	SCREW,MACH.,TRUSS HEAD,M3X14	
502	XB1 - 2400 - 606		2	SCREW,MACH.,TRUSS HEAD,M4X6	
503	XB1 - 2402 - 009		2	SCREW,MACH.,TRUSS HEAD,M4X20	
504	XB1 - 2500 - 606		1	SCREW,MACH.,TRUSS HEAD,M5X6	

505	XB2 - 7400 - 606		1	SCREW,W/WASHER,M4X6	
506	XD1 - 4200 - 502		1	WASHER,TOOTHED LOCK	

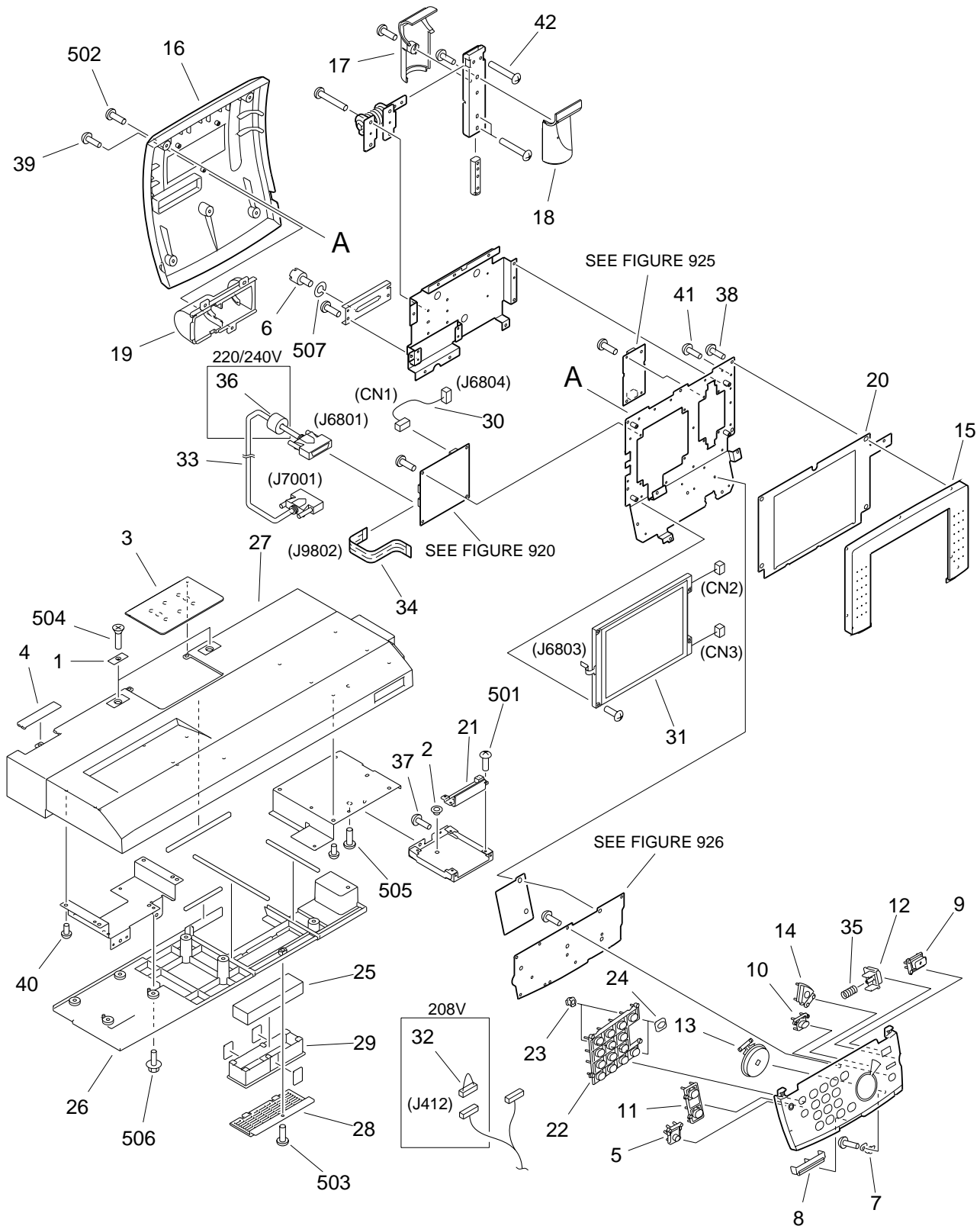
FIGURE 120 DOOR SWITCH MOUNT ASSEMBLY



NOTE: This assembly does not include the part shown with key No.9.

FIGURE & KEY NO.	PART NUMBER	R A N K	Q' T Y	DESCRIPTION	SERIAL NUMBER / REMARKS
120 -	FG6 - 7294 - 000		1	DOOR SWITCH MOUNT ASSEMBLY	
1	FB4 - 1432 - 000		1	HOLDER, DOOR SWITCH	
2	FB4 - 1433 - 000		1	PLATE, DOOR SWITCH	
3	FB4 - 1436 - 000		1	LEVER, ABSORPTION	
4	FB4 - 1557 - 020		1	SPRING, TORSION	
5	FF5 - 7884 - 000		1	LEVER, CRANK	
6	FG6 - 1817 - 000		1	CABLE, FRONT DOOR SWITCH, DC	J21,111,112
7	FH7 - 6253 - 000		1	SWITCH, DOOR	SW2
8	FS5 - 2928 - 000		1	SPRING, TENSION	
9	VS1 - 5057 - 002		1	CONNECTOR, SNAP TIGHT	SEE NOTE J111
10	WC4 - 0153 - 000		1	MICRO SWITCH	MSW7 J112
11	XZ9 - 0251 - 000		1	CATCH, MAGNET	
501	XB1 - 2230 - 809		1	SCREW,MACH.,TRUSS HEAD,M2.3X8	
502	XB3 - 6300 - 800		2	SCREW,RS,M3X8	
503	XD2 - 1100 - 642		1	RING,E	

FIGURE 130 CONTROL PANEL ASSEMBLY



NOTE1: This assembly includes the assemblies shown in Figure 920, 925 and 926.

NOTE: This assembly does not include the parts shown with key No. 2, 3, 4, 21, 25, 26, 27, 28, 29, 33, 37, 40, 501, 503, 504, 505 and 506.

FIGURE & KEY NO.	PART NUMBER	R A N K	Q' T Y	DESCRIPTION	SERIAL NUMBER / REMARKS
130 - 1 2	FG6 - 8025 - 000		1	CONTROL PANEL ASSEMBLY	JAPANESE SEE NOTE 1 ENGLISH SEE NOTE 1 ILLUSTRATION SEE NOTE 1
	FG6 - 8026 - 000		1	CONTROL PANEL ASSEMBLY	
	FG6 - 8027 - 000		1	CONTROL PANEL ASSEMBLY	
	FA3 - 9315 - 000		2	PLATE, COVER	
	FA9 - 3684 - 000		1	CUP	SEE NOTE 2
3	FB4 - 2333 - 000		1	COVER, CHANGE	SEE NOTE 2
4	FB4 - 2343 - 000		1	PANEL, SERVICE	SEE NOTE 2
5	FB4 - 5005 - 000		1	KEY TOP, COUNTER	
6	FB5 - 2131 - 000		2	SCREW,M2.6X4.2	
7	FB5 - 2164 - 000		1	COVER, POWER LAMP	
8	FB5 - 2165 - 000		1	COVER, INDICATOR LAMP	
9	FB5 - 2168 - 000		1	KEY TOP, RESET	
10	FB5 - 2169 - 000		1	KEY TOP, ENERGY SAVING	
11	FB5 - 2170 - 000		1	KEY TOP, MODE	
12	FB5 - 2171 - 000		1	KEY TOP, POWER	
13	FB5 - 2172 - 000		1	KEY TOP, COPY	
14	FB5 - 2173 - 000		1	KEY TOP, STOP	
15	FB5 - 2176 - 000		1	PANEL, FRONT	
16	FB5 - 2177 - 000		1	PANEL, REAR	
17	FB5 - 2178 - 000		1	PANEL, ARM, REAR	
18	FB5 - 2179 - 000		1	PANEL, ARM, FRONT	
19	FB5 - 2180 - 000		1	COVER, LOCK HINGE	
20	FB6 - 0454 - 000		1	SHEET, LCD ELECTROSTATIC	
21	FB6 - 0598 - 000		1	COVER, INLET	SEE NOTE 2
22	FB6 - 0605 - 000		1	KEY TOP, NUMBERS	
23	FB6 - 0606 - 000		2	SPACER, KEY	
24	FB6 - 0610 - 000		2	SPACER, KEY, UPPER	
25	FB6 - 0617 - 000		1	FILTER, AIR	SEE NOTE 2
26	FF6 - 1498 - 000		1	PANEL, FRONT UPPER, LOWER	SEE NOTE 2
27	FF6 - 1499 - 000		1	PANEL, FRONT UPPER	SEE NOTE 2

FIGURE & KEY NO.	PART NUMBER	RANK	QTY	DESCRIPTION	SERIAL NUMBER / REMARKS
130 - 28	FF6 - 1530 - 000		1	MOUNT, PRIMARY FILTER, 2	SEE NOTE 2
29	FF6 - 1542 - 000		1	CASE, AIR FILTER, 2	SEE NOTE 2
30	FG3 - 2146 - 000		1	CABLE, INVERTER	CN1,6804
31	FG3 - 2147 - 000		1	LCD CONTROL PANEL UNIT	J6803,CN2,3
32	FG6 - 3591 - 000		1	CCV SHORT CONNECTOR UNIT	208V J412
33	FH2 - 6791 - 000		1	CABLE, CONTROL	SEE NOTE 2 J6801,7001
34	FH2 - 6842 - 000		1	CABLE, FLAT	J9802
35	FS6 - 2098 - 000		1	SPRING, COMPRESSION	
36	WE8 - 5951 - 000		1	CORE, FERRITE	220/240V
37	XA9 - 0266 - 000		1	SCREW,W/WASHER,M4X8	SEE NOTE 2
38	XA9 - 0591 - 000		26	SCREW,M3X8	
39	XA9 - 0596 - 000		3	SCREW,P,M3X6	
40	XA9 - 0615 - 000		10	SCREW,M4X8	SEE NOTE 2
41	XA9 - 0670 - 000		1	SCREW,M3X6	
42	XA9 - 0940 - 000		8	SCREW,W/WASHER,M4X12	
501	XB1 - 2300 - 605		6	SCREW,MACH.,TRUSS HEAD,M3X6	SEE NOTE 2
502	XB1 - 2300 - 607		29	SCREW,MACH.,TRUSS HEAD,M3X6	
503	XB1 - 2400 - 806		1	SCREW,MACH.,TRUSS HEAD,M4X8	SEE NOTE 2
504	XB1 - 3400 - 606		2	SCREW,MACH.,C.S.HEAD,M4X6	SEE NOTE 2
505	XB2 - 7400 - 606		1	SCREW,W/WASHER,M4X6	SEE NOTE 2
506	XB3 - 6401 - 000		6	SCREW,RS,M4X10	SEE NOTE 2
507	XD1 - 3100 - 307		2	WASHER,SPRING	

FIGURE 190 SEPARATION FIXING FAN ASSEMBLY

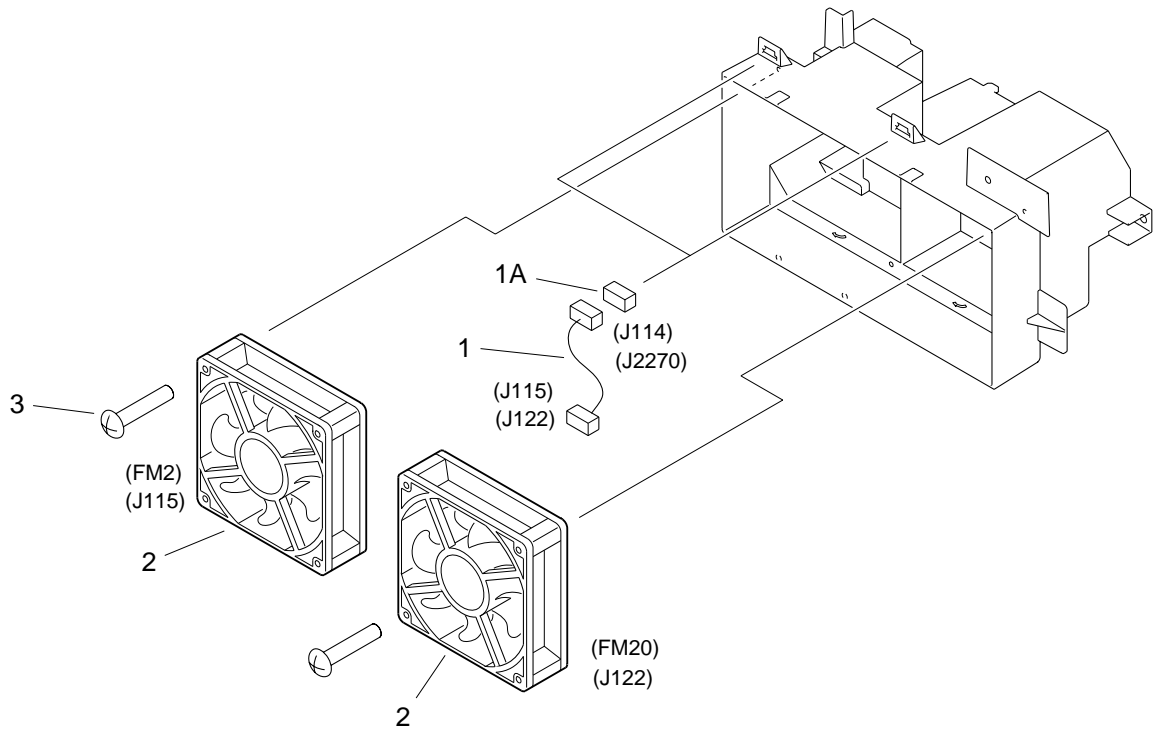


FIGURE & KEY NO.	PART NUMBER	RANK	QTY	DESCRIPTION	SERIAL NUMBER / REMARKS
190 -	FG6 - 8576 - 000		1	SEPARATION FIXING FAN ASS'Y	
1	FG6 - 1898 - 000		2	CABLE, EXHAUST FAN CONNECTING	J114,115 J122,2270
1 A	VS1 - 5057 - 003		2	CONNECTOR, SNAP TIGHT	J114,2270
2	FH6 - 1545 - 000		2	FAN, COOLING	FM2,20 J115,122
3	XA9 - 0189 - 000		4	SCREW,M4X50	

FIGURE 194 PRIMARY POLYGON LASER FAN ASSEMBLY

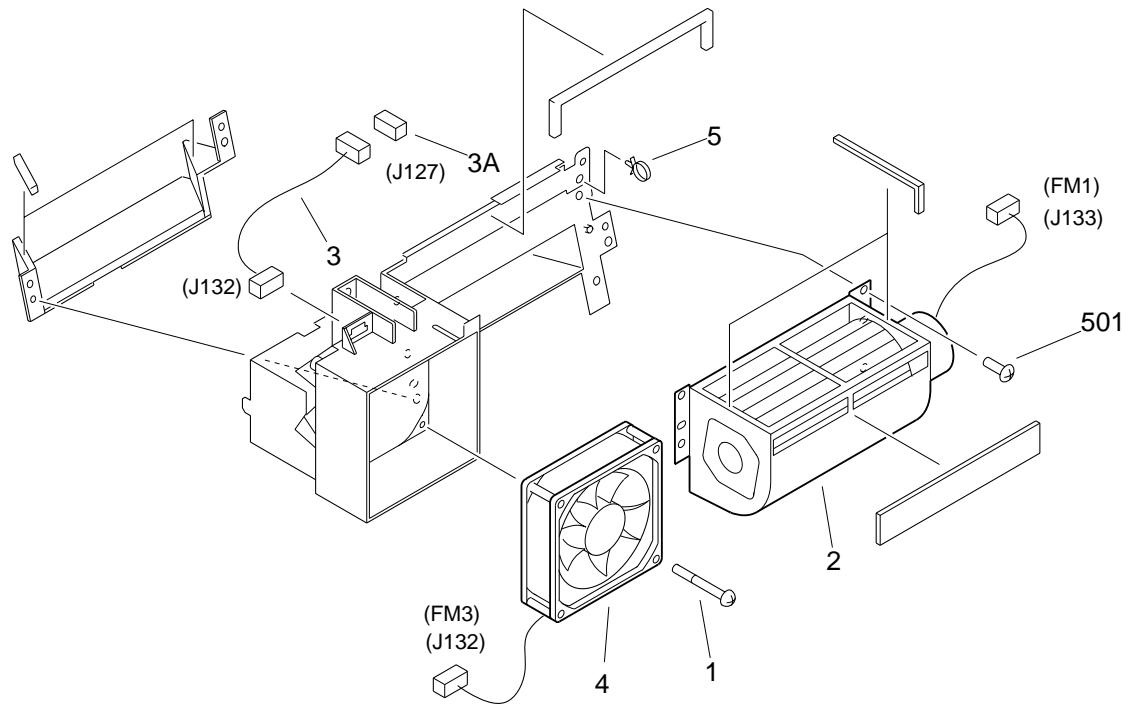


FIGURE & KEY NO.	PART NUMBER	RANK	QTY	DESCRIPTION	SERIAL NUMBER / REMARKS
194 -	FG6 - 7999 - 000		1	PRI. POLYGON LASER FAN ASS'Y	
1	FC1 - 6853 - 000		2	SCREW, M4X35	
2	FF6 - 1502 - 000		1	FAN, PRIMARY POLYGON	FM1 J133
3	FG6 - 8622 - 000		1	CABLE, PRI. CORONA FAN CONNECT	J127,132
3A	VS1 - 5057 - 003		1	CONNECTOR, SNAP TIGHT	J127
4	FH6 - 1546 - 000		1	FAN, COOLING	FM3 J132
5	WT2 - 5565 - 000		1	CLAMP, CABLE	
501	XB4 - 5400 - 805		6	SCREW,P,M4X8	

FIGURE 195 DRUM INTAKE FAN ASSEMBLY

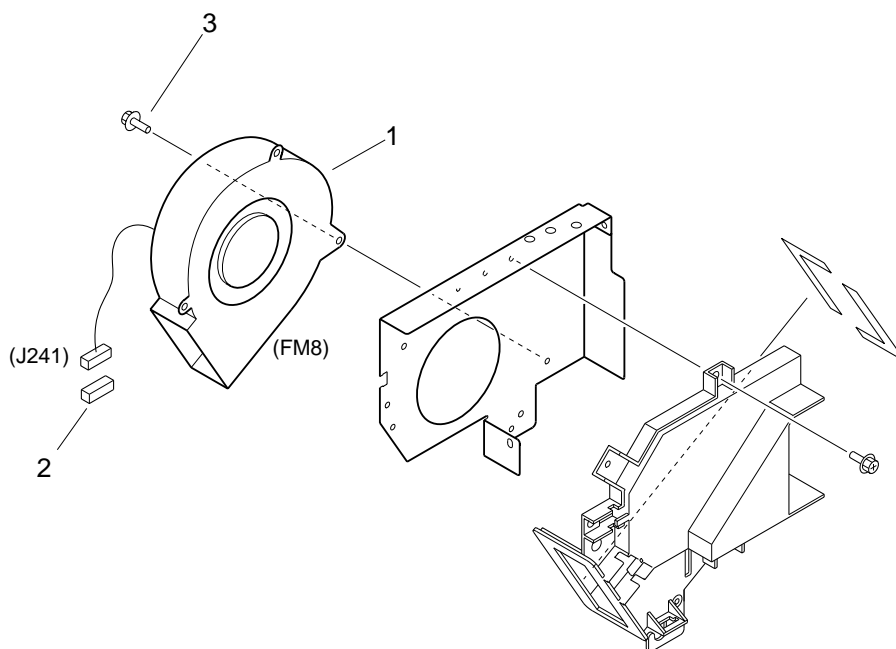


FIGURE & KEY NO.	PART NUMBER	RANK	QTY	DESCRIPTION	SERIAL NUMBER / REMARKS
195 -	FG6 - 1987 - 000		1	DRUM INTAKE FAN ASSEMBLY	
1	FH6 - 1550 - 000		1	FAN, INTAKE	FM8 J241
2	VS1 - 5057 - 003		1	CONNECTOR, SNAP TIGHT	J241
3	XA9 - 0628 - 000		6	SCREW,RS,M4X8	

FIGURE 210 LENS MOUNT ASSEMBLY(1/2)

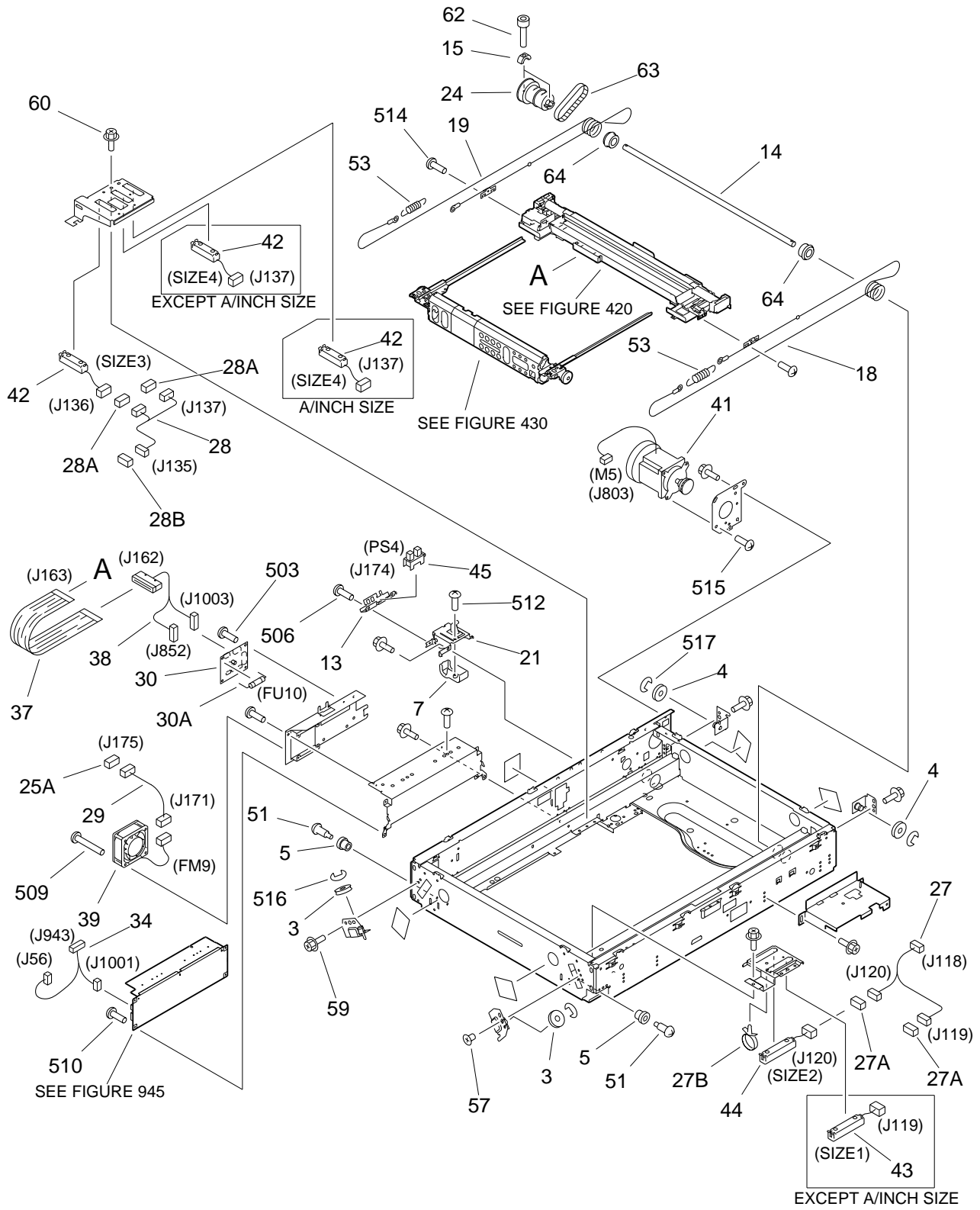


FIGURE 210 LENS MOUNT ASSEMBLY(2/2)

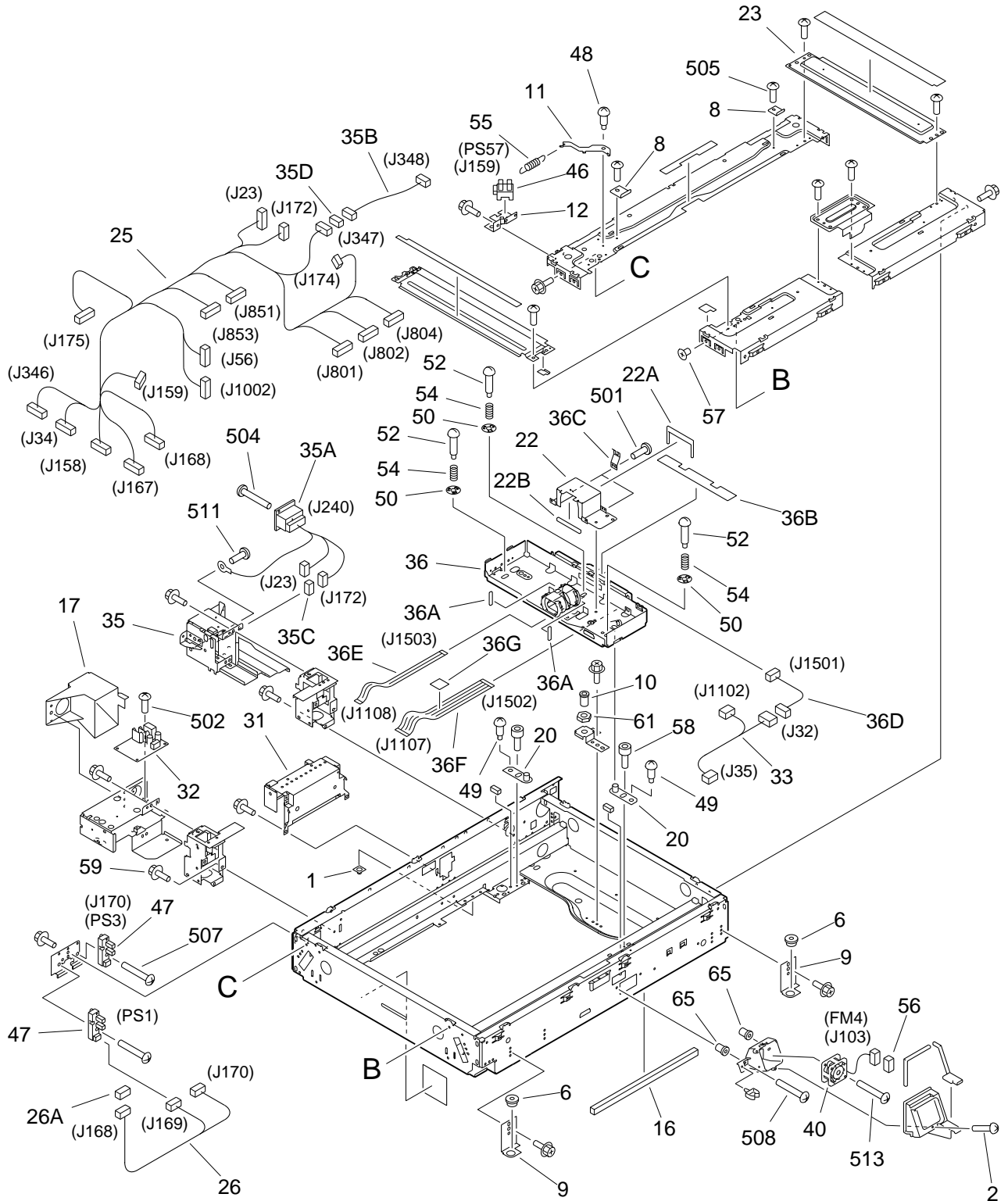


FIGURE & KEY NO.	PART NUMBER	RANK	QTY	DESCRIPTION	SERIAL NUMBER / REMARKS
210 -	NPN		RF	LENS MOUNT ASSEMBLY	
1	FA9 - 1800 - 000		1	CUP	
2	FA9 - 2469 - 000		2	SCREW,M3X10	
3	FB1 - 7109 - 000		2	PULLEY	
4	FB1 - 7109 - 000		2	PULLEY	
5	FB1 - 7112 - 000		2	ROLLER, WIRE	
6	FB2 - 6310 - 000		2	BUSHING, RUBBER	
7	FB2 - 8167 - 000		1	COVER, SENSOR	
8	FB4 - 0715 - 000		2	PLATE, GLASS RETAINING	
9	FB4 - 1428 - 000		2	PLATE, FIXING	
10	FB4 - 1734 - 000		1	SCREW, ADJUSTING	
11	FB4 - 2358 - 000		1	LEVER, GLASS SENSOR	
12	FB4 - 2360 - 000		1	HOLDER, SENSOR	
13	FB4 - 2366 - 000		1	HOLDER, SENSOR	
14	FB4 - 2376 - 000		1	SHAFT, SCANNER DRIVE	
15	FB4 - 2384 - 000		2	LOCK, PULLEY	
16	FB5 - 7054 - 000		1	SEAL, DUST-PROOF, FRONT	
17	FB6 - 0591 - 000		1	DUCT, INVERTER COOLING	
18	FB6 - 2724 - 000		1	WIRE, SCANNER, FRONT	
19	FB6 - 2725 - 000		1	WIRE, SCANNER, REAR	
20	FF5 - 2173 - 000		2	PLATE, POSITIONING	
21	FF5 - 7883 - 000		1	PLATE, SENSOR ARM SUPPORT	
22	FF5 - 7938 - 000		1	COVER, CCD	
22 A	FB4 - 1712 - 000		1	SEAL, CCD COVER, CCD	
22 B	FB4 - 1714 - 000		1	SEAL, CCD COVER, UPPER	
23	FF5 - 8892 - 000	N	1	UPPER CROSSMEMBER, RIGHT	
24	FF9 - 1909 - 000		1	PULLEY, DRIVE	
25	FG6 - 1823 - 000		1	CABLE, REAR UPPER	J23,34,56,158,159 J167,168,172,174,175 J346,347,801,802 J804,851,853,1002
25 A	VS1 - 5057 - 003		1	CONNECTOR, SNAP TIGHT	J175

FIGURE & KEY NO.	PART NUMBER	RANK	QTY	DESCRIPTION	SERIAL NUMBER / REMARKS
210 - 26	FG6 - 1824 - 000		1	CABLE, HOME POSITION SENSOR	J168-170
26 A	VS1 - 5057 - 006		1	CONNECTOR, SNAP TIGHT	J168
27	FG6 - 1827 - 000		1	CABLE, SIZE SENSOR 1/2	J118-120
27 A	VS1 - 5057 - 003		2	CONNECTOR, SNAP TIGHT	J119,120
27 B	WT2 - 5178 - 000		1	CLIP, CABLE	
28	FG6 - 1828 - 000		1	CABLE, SIZE SENSOR 3/4	J135-137
28 A	VS1 - 5057 - 003		2	CONNECTOR, SNAP TIGHT	J136,137
28 B	VS1 - 6318 - 006		1	CONNECTOR, SNAP TIGHT	J135
29	FG6 - 1893 - 000		1	CABLE, INVERTER FAN CONNECTING	J171,175
30	FG6 - 1942 - 000		1	EXPOSURE CONTROL PCB ASSEMBLY	
30 A	VD7 - 1622 - 001		1	FUSE, 2A, 60V	FU10
31	FG6 - 2033 - 000		1	SCANNER MOTOR DRIVER PCB ASS'Y	
32	FG6 - 2512 - 000		1	TRANSFORMER PCB ASSEMBLY	
33	FG6 - 7213 - 000		1	CABLE, CCD POWER CONNECTING	J32,35,1102
34	FG6 - 7260 - 000		1	CABLE, INV. POWER CONNECTING	J56,943,1001
35	FG6 - 7332 - 000		1	DF CONNECTOR MOUNT UNIT	
35 A	FG6 - 6902 - 000		1	CABLE, LATTICE, RF	J23,172,240
35 B	FG6 - 7223 - 000		1	CABLE, OPT. MOTOR CONNECTING	J347,348
35 C	VS1 - 5057 - 007		1	CONNECTOR, SNAP TIGHT	J172
35 D	VS1 - 6318 - 003		1	CONNECTOR, SNAP TIGHT	J347
36	FG6 - 7401 - 000		1	CCD UNIT	
36 A	FB4 - 1713 - 000		2	SEAL, CCD COVER, SIDE	
36 B	FB4 - 1715 - 000		1	SHEET, LIGHT-BLOCKING	
36 C	FB4 - 1740 - 000		2	SPRING, LEAF	
36 D	FG6 - 1822 - 000		1	CABLE, CCD CONNECTING	J32,1501
36 E	FH2 - 6898 - 000		1	CABLE, FLAT	J1108,1503
36 F	FH2 - 6899 - 000		1	CABLE, FLAT	J1107,1502
36 G	FS7 - 8109 - 000		1	LABEL, CABLE CONNECTOR	
37	FH2 - 6452 - 000		1	CABLE, FLUORESCENT LAMP	J162,163
38	FH2 - 6574 - 000		1	CABLE, FLUORESCENT	J162,852,1003

FIGURE & KEY NO.	PART NUMBER	RANK	QTY	DESCRIPTION	SERIAL NUMBER / REMARKS
210 - 39	FH6 - 1544 - 000		1	FAN, COOLING	FM9 J171
40	FH6 - 1547 - 000		1	FAN, COOLING	FM4 J103
41	FH6 - 1886 - 000		1	MOTOR, STEPPING	M5 J803
42	FH7 - 7423 - 000		2	SENSOR, DOCUMENT, REAR	SIZE3,4 J136,137
43	FH7 - 7424 - 000		1	SENSOR, DOCUMENT, FRONT	EXCEPT A/INCH SIZE SIZE1 J119
44	FH7 - 7424 - 000		1	SENSOR, DOCUMENT, FRONT	SIZE2 J120
45	FH7 - 7462 - 000		1	PHOTO-INTERRUPTER	PS4 J174
46	FH7 - 7462 - 000		1	PHOTO-INTERRUPTER	PS57 J159
47	FH7 - 7485 - 000		2	PHOTO-INTERRUPTER	PS1,3 J169,170
48	FS1 - 9002 - 000		1	SCREW, STEPPED, M4	
49	FS2 - 9267 - 000		1	SCREW, STEPPED, M4	
50	FS5 - 6684 - 000		3	PLATE, CCD SPRING	
51	FS5 - 9219 - 000		2	SCREW, STEPPED, M4	
52	FS5 - 9491 - 000		3	SCREW, STEPPED, M4	
53	FS6 - 2737 - 000		2	SPRING, TENSION	
54	FS6 - 2761 - 000		3	SPRING, COMPRESSION	
55	FS6 - 2894 - 000		1	SPRING, TENSION	
56	VS1 - 5057 - 003		1	CONNECTOR, SNAP TIGHT	J103
57	XA9 - 0271 - 000		6	SCREW, M4X6	
58	XA9 - 0520 - 000		2	BOLT, HEX SKT, M4X8	
59	XA9 - 0628 - 000		34	SCREW, RS, M4X8	
60	XA9 - 0643 - 000		AR	SCREW, RS, M4X10	
61	XA9 - 0965 - 000		1	NUT, HEX, M10X5	
62	XA9 - 1092 - 000		2	SCREW, ALLEN HEAD, M4X20	
63	XF9 - 0680 - 000		1	BELT, DRIVE	
64	XG9 - 0018 - 000		2	BEARING, BALL, 6000ZZNRC3	
65	XH9 - 0006 - 000		2	BUSHING, RUBBER, (WITH M4 NUT)	
501	XB1 - 2300 - 409		2	SCREW, MACH., TRUSS HEAD, M3X4	
502	XB1 - 2300 - 607		4	SCREW, MACH., TRUSS HEAD, M3X6	
503	XB1 - 2300 - 609		4	SCREW, MACH., TRUSS HEAD, M3X6	

FIGURE & KEY NO.	PART NUMBER	RANK	QTY	DESCRIPTION	SERIAL NUMBER / REMARKS
210 - 504	XB1 - 2301 - 207		2	SCREW,MACH.,TRUSS HEAD,M3X12	
505	XB1 - 2400 - 609		2	SCREW,MACH.,TRUSS HEAD,M4X6	
506	XB1 - 2400 - 609		6	SCREW,MACH.,TRUSS HEAD,M4X6	
507	XB1 - 2401 - 209		2	SCREW,MACH.,TRUSS HEAD,M4X12	
508	XB1 - 2401 - 409		2	SCREW,MACH.,TRUSS HEAD,M4X14	
509	XB1 - 2403 - 009		2	SCREW,MACH.,TRUSS HEAD,M4X30	
510	XB2 - 4300 - 607		6	SCREW,W/WASHER,M3X6	
511	XB2 - 7400 - 607		1	SCREW,W/WASHER,M4X6	
512	XB4 - 7300 - 809		1	SCREW,TAPPING,TRUSS HEAD,M3X8	
513	XB4 - 7303 - 009		2	SCREW,TAPPING,TRUSS HEAD,M3X30	
514	XB6 - 7300 - 609		4	SCREW,TP,M3X6	
515	XB6 - 7400 - 609		2	SCREW,TP,M4X6	
516	XD2 - 1100 - 642		2	RING,E	
517	XD2 - 1100 - 642		2	RING,E	

FIGURE 215 SCANNER MOUNT ASSEMBLY

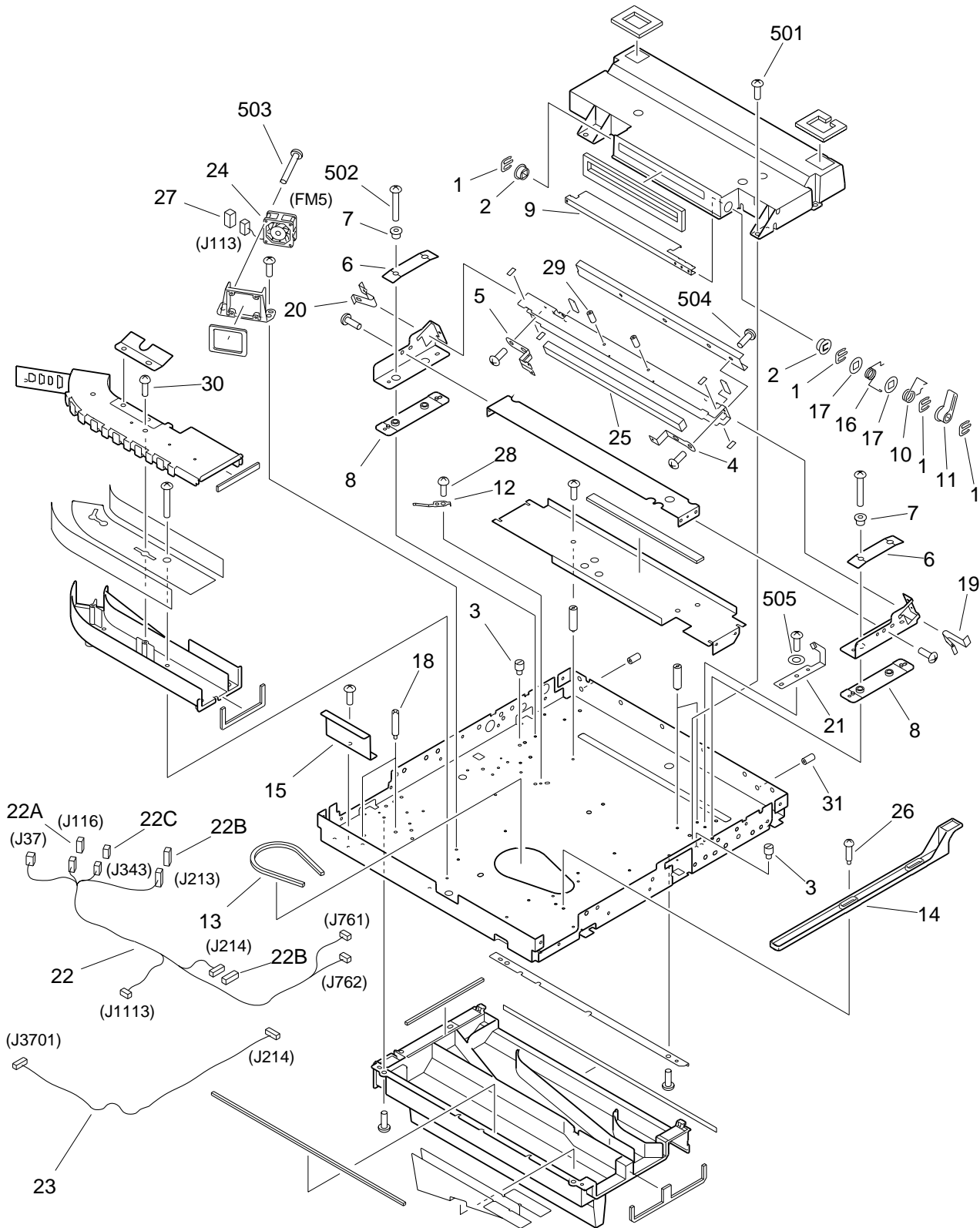
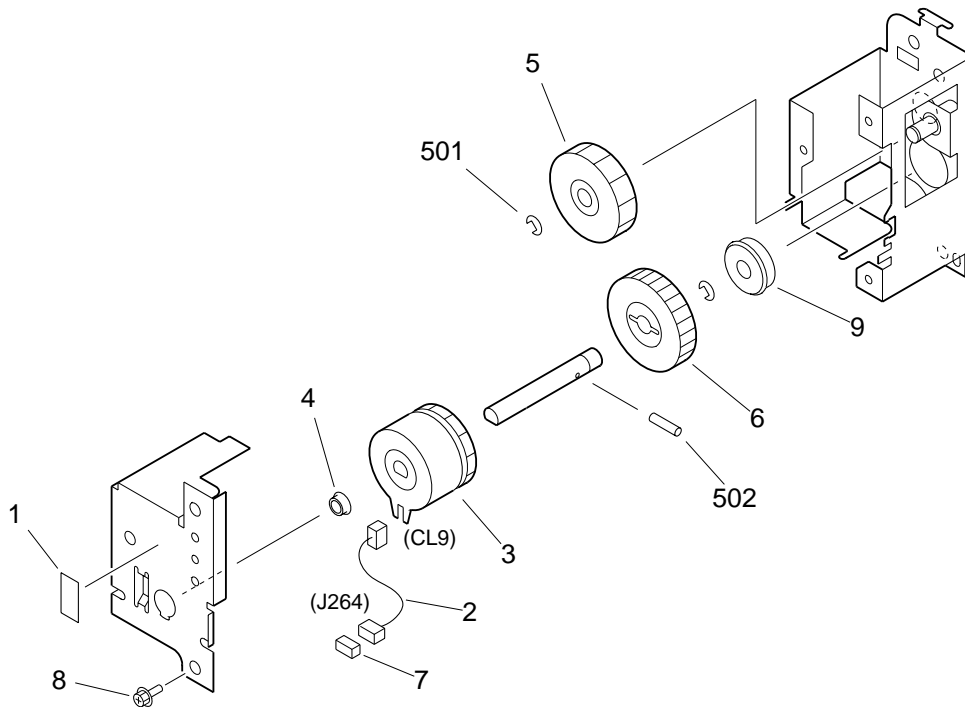


FIGURE & KEY NO.	PART NUMBER	RANK	QTY	DESCRIPTION	SERIAL NUMBER / REMARKS
215 -	NPN		RF	SCANNER MOUNT ASSEMBLY	
1	FA2 - 8361 - 000		4	RETAINER	
2	FB2 - 1382 - 000		2	COLLAR	
3	FB4 - 1512 - 000		2	PIN, MIRROR SUPPORT	
4	FB4 - 1521 - 000		1	SPRING, LEAF, FRONT	
5	FB4 - 1522 - 000		1	SPRING, LEAF, REAR	
6	FB4 - 1532 - 000		2	SPRING, LEAF	
7	FB4 - 1533 - 000		4	SPACER	
8	FB4 - 1534 - 000		2	PLATE, SUPPORT	
9	FB4 - 1538 - 000		1	PLATE, SHUTTER	
10	FB4 - 1539 - 020		1	SPRING, TORSION	
11	FB4 - 1540 - 000		1	ARM, SHUTTER	
12	FB4 - 1546 - 000		1	PLATE, GROUNDING	
13	FB4 - 1550 - 000		1	CUSHION, RUBBER	
14	FB4 - 1554 - 000		1	PLATE, SHUTTER SLIDE	
15	FB4 - 1564 - 000		1	COVER, IMAGE PROCESSOR CABLE	
16	FB5 - 4346 - 000		1	SPRING, TORSION	
17	FB5 - 4347 - 000		2	WASHER, SHUTTER	
18	FB5 - 7042 - 000		2	SPACER, CABLE SUPPORT	
19	FB5 - 8809 - 000		1	SPRING, LEAF, FRONT	
20	FB5 - 8810 - 000		1	SPRING, LEAF, REAR	
21	FF5 - 7717 - 000		1	MIRROR, BEAM DETECTOR	
22	FG6 - 1826 - 000		1	CABLE, LENS MOUNT INTERNAL	J37,116,213,214,343 J761,762,1113
22 A	VS1 - 5057 - 004		1	CONNECTOR, SNAP TIGHT	J116
22 B	VS1 - 5057 - 006		2	CONNECTOR, SNAP TIGHT	J213,214
22 C	VS1 - 6318 - 004		1	CONNECTOR, SNAP TIGHT	J343
23	FG6 - 7202 - 000		1	CABLE, BEAM DETECT	J214,3701
24	FH6 - 1547 - 000		1	FAN, COOLING	FM5 J113
25	FN5 - 4009 - 000		1	MIRROR, DIGITAL	
26	FS2 - 9001 - 000		2	SCREW, STEPPED, M4	

FIGURE & KEY NO.	PART NUMBER	RANK	QTY	DESCRIPTION	SERIAL NUMBER / REMARKS
215 - 27	VS1 - 5057 - 003		1	CONNECTOR, SNAP TIGHT	J113
28	XA9 - 0265 - 000		1	SCREW,W/WASHER,TRUSS HEAD	
29	XA9 - 0427 - 000		2	SETSCREW,M4X8	
30	XA9 - 0870 - 000		2	SCREW,M4X10	
31	XA9 - 1091 - 000		2	SETSCREW,M4X8	
5 0 1	XB1 - 2400 - 609		17	SCREW,MACH.,TRUSS HEAD,M4X6	
5 0 2	XB1 - 2401 - 409		6	SCREW,MACH.,TRUSS HEAD,M4X14	
5 0 3	XB4 - 7303 - 007		2	SCREW,TAPPING,TRUSS HEAD,M3X30	
5 0 4	XB6 - 7400 - 609		4	SCREW,TP,M4X6	
5 0 5	XD1 - 1108 - 221		1	SHIM	

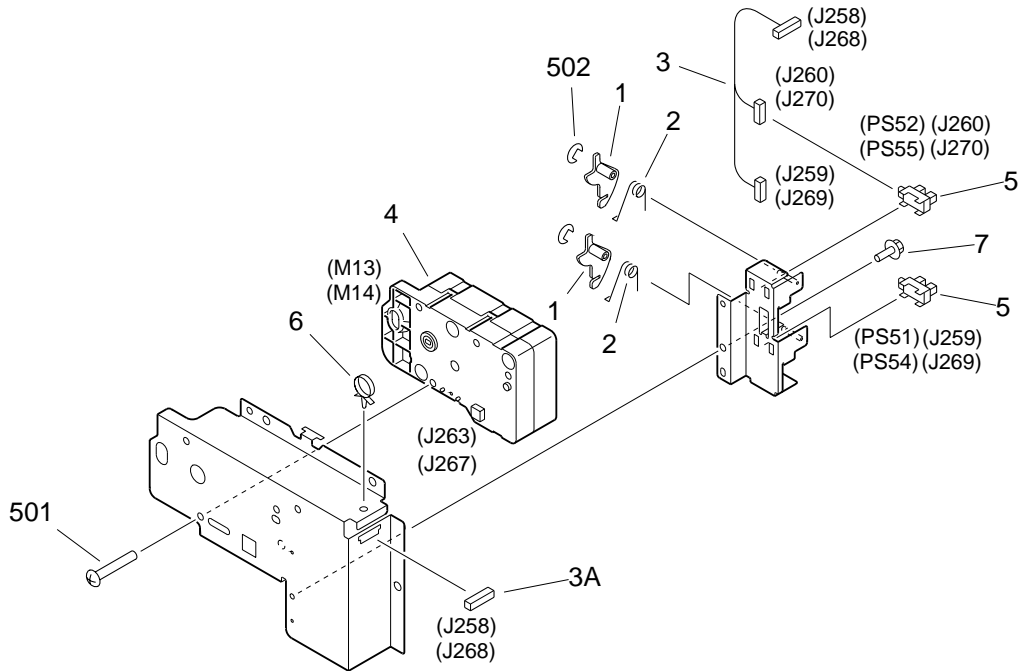
FIGURE 230 VERTICAL PATH DRIVE ASSEMBLY



NOTE: This assembly does not include the part shown with key No.7.

FIGURE & KEY NO.	PART NUMBER	RANK	QTY	DESCRIPTION	SERIAL NUMBER / REMARKS
230 -	FG6 - 8577 - 000		1	VERTICAL PATH DRIVE ASSEMBLY	
1	FA9 - 3822 - 000		1	LABEL, DISCRIMINATE	
2	FG6 - 8623 - 000		1	CABLE, CLUTCH	J264
3	FH6 - 5043 - 000		1	CLUTCH, ELECTROMAGNETIC	CL9
4	FS1 - 1189 - 000		1	BUSHING	
5	FS3 - 0165 - 000		1	GEAR, 40T	
6	FS5 - 0398 - 000		1	GEAR, 40T	
7	VS1 - 5057 - 002		1	CONNECTOR, SNAP TIGHT	SEE NOTE J264
8	XA9 - 0628 - 000		3	SCREW, RS, M4X8	
9	XG9 - 0249 - 000		1	BEARING, BALL	
501	XD2 - 1100 - 642		2	RING, E	
502	XD3 - 2200 - 162		1	PIN, DOWEL	

FIGURE 231 LIFTER DRIVE ASSEMBLY



NOTE: This assembly does not include the part shown with key No.6.

FIGURE & KEY NO.	PART NUMBER	RANK	QTY	DESCRIPTION	SERIAL NUMBER / REMARKS
231 -	FG6 - 2243 - 000		2	LIFTER DRIVE ASSEMBLY	
1	FB2 - 9248 - 000		2	ARM, PAPER SENSOR	
2	FB5 - 0553 - 000		2	SPRING, TORSION	
3	FG6 - 1888 - 000		1	CABLE, DECK SENSOR	J258-260 J268-270
3A	VS1 - 5057 - 006		1	CONNECTOR, SNAP TIGHT	J258,268
4	FH6 - 1541 - 000		1	MOTOR, DC 19.2W	M13,14 J263,267
5	FH7 - 7462 - 000		2	PHOTO-INTERRUPTER	PS51,52,54,55 J259,260,269,270
6	WT2 - 5565 - 000		1	CLAMP, CABLE	SEE NOTE
7	XA9 - 0628 - 000		1	SCREW,RS,M4X8	
501	XB5 - 6401 - 609		3	SCREW,CT,M4X16	
502	XD2 - 1100 - 242		2	RING,E	

FIGURE 250 MAIN DRIVE ASSEMBLY

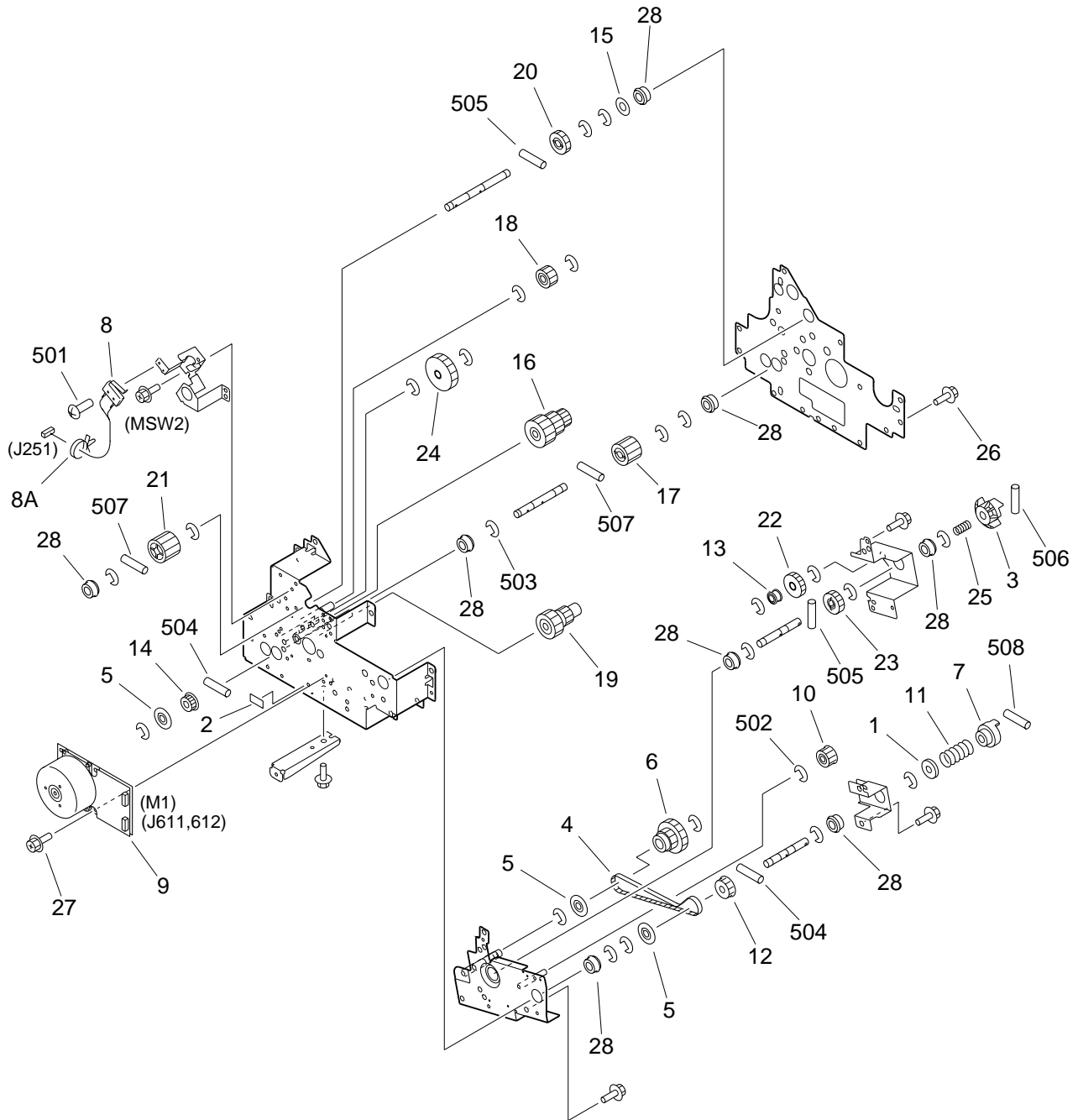


FIGURE & KEY NO.	PART NUMBER	R A N K	Q' T Y	DESCRIPTION	SERIAL NUMBER / REMARKS
250 -	FG6 - 8009 - 000		1	MAIN DRIVE ASSEMBLY	
1	FA6 - 8304 - 000		1	WASHER, SPRING	
2	FA9 - 3822 - 000		1	LABEL, DISCRIMINATE	
3	FB2 - 1047 - 000		1	COUPLING, INPUT	
4	FB4 - 1766 - 000		1	BELT, TIMING	
5	FB4 - 1806 - 000		2	FLANGE	
6	FB5 - 6895 - 000		1	GEAR, 38T/36T/PULLY, 22T	
7	FB6 - 0581 - 000		1	COUPLING	
8	FG6 - 6903 - 000		1	CABLE, WASTE TONER SWITCH	MSW2 J251
8A	WT2 - 5565 - 000		1	CLAMP, CABLE	
9	FH6 - 1935 - 000		1	MOTOR, BRUSHLESS	M1 J611,612
10	FS2 - 3495 - 000		1	PULLEY	
11	FS5 - 2978 - 000		1	SPRING, COMPRESSION	
12	FS5 - 3609 - 000		1	PULLEY, 22T	
13	FS5 - 3612 - 000		1	PULLEY	
14	FS5 - 3890 - 000		1	PULLT, 18T	
15	FS5 - 6487 - 000		1	SHIM	
16	FS7 - 0012 - 000		1	GEAR, 50T/24T/18T	
17	FS7 - 0014 - 000		1	GEAR, 24T	
18	FS7 - 0016 - 000		1	GEAR, 20T	
19	FS7 - 0017 - 000		1	GEAR, 18T/27T	
20	FS7 - 0018 - 000		1	GEAR, 24T	
21	FS7 - 0019 - 000		1	GEAR, 26T	
22	FS7 - 0896 - 000		1	GEAR, 44T	
23	FS7 - 0897 - 000		1	GEAR, 40T	
24	FS7 - 0898 - 000		1	GEAR, 39T	
25	FS7 - 2531 - 000		1	SPRING, COMPRESSION	
26	XA9 - 0628 - 000		12	SCREW, RS, M4X8	
27	XA9 - 1030 - 000		4	SCREW, RS, M4X12	
28	XG9 - 0250 - 000		10	BEARING, BALL	

FIGURE & KEY NO.	PART NUMBER	RANK	QTY	DESCRIPTION	SERIAL NUMBER / REMARKS
250 - 501	XB1 - 2231 - 009		1	SCREW,MACH.,TRUSS HEAD,M2.3X10	
502	XD2 - 1100 - 502		1	RING,E	
503	XD2 - 1100 - 642		18	RING,E	
504	XD3 - 2200 - 122		2	PIN,DOWEL	
505	XD3 - 2200 - 142		2	PIN,DOWEL	
506	XD3 - 2200 - 162		2	PIN,DOWEL	
507	XD3 - 2200 - 182		2	PIN,DOWEL	
508	XD3 - 2300 - 142		1	PIN,DOWEL	

FIGURE 251 DRUM DRIVE ASSEMBLY

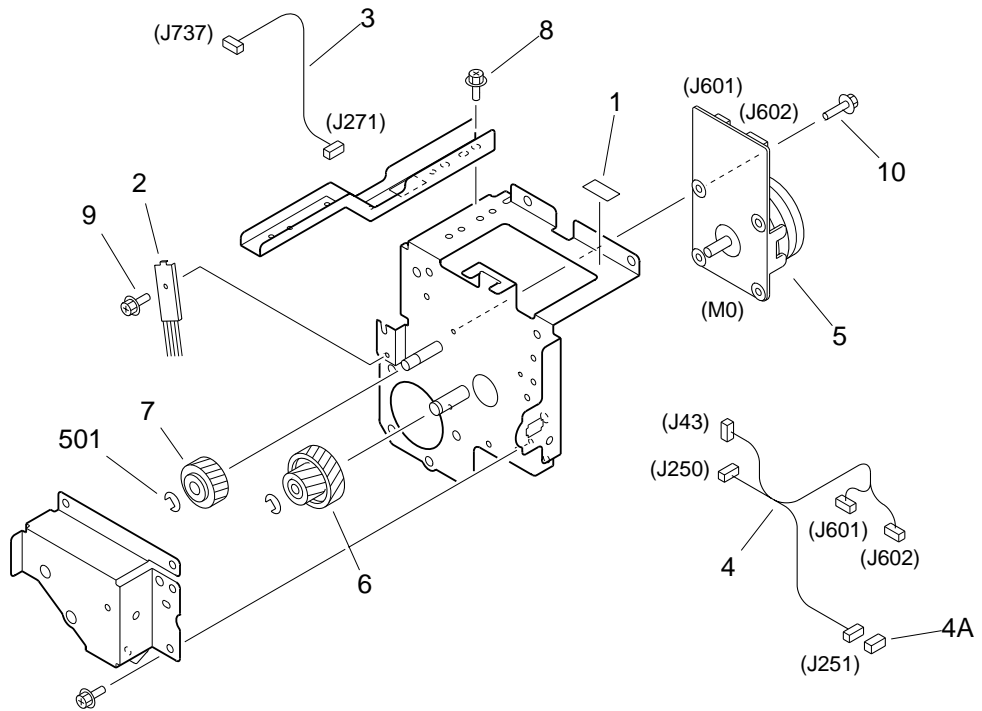


FIGURE & KEY NO.	PART NUMBER	RANK	QTY	DESCRIPTION	SERIAL NUMBER / REMARKS
251 -	FG6 - 8008 - 000		1	DRUM DRIVE ASSEMBLY	
1	FA9 - 3822 - 000		1	LABEL, DISCRIMINATE	
2	FC1 - 1117 - 000		1	ELIMINATOR, STATIC CHARGE	
3	FG6 - 3570 - 000		1	CABLE, SEPARATION CLAW CONNECT	J271,737
4	FG6 - 6885 - 000		1	CABLE, DRUM MOTOR DRIVE	J43,250,251,601,602
4 A	VS1 - 5057 - 002		1	CONNECTOR, SNAP TIGHT	J251
5	FH6 - 1934 - 000		1	MOTOR, BRUSHLESS	M0 J601,602
6	FS7 - 0010 - 000		1	GEAR, 19T/63T	
7	RS6 - 0057 - 000		1	GEAR, 49T	
8	XA9 - 0628 - 000		7	SCREW,RS,M4X8	
9	XA9 - 0813 - 000		1	SCREW,RS,M3X8	
10	XA9 - 0962 - 000		4	SCREW,RS,M3X10	
501	XD2 - 1100 - 642		2	RING,E	

FIGURE 260 PAPER PICK-UP DRIVE ASSEMBLY

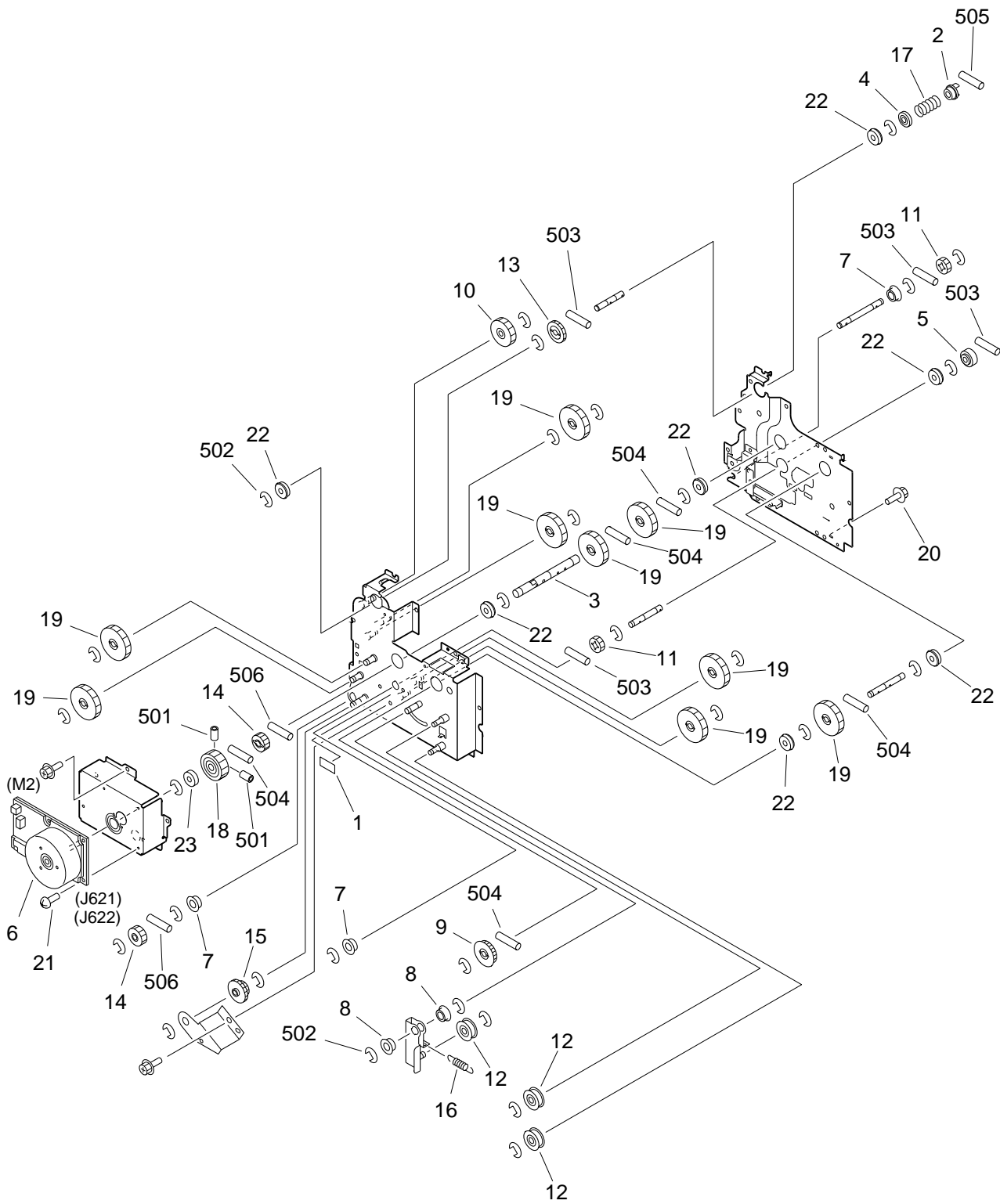


FIGURE & KEY NO.	PART NUMBER	RANK	QTY	DESCRIPTION	SERIAL NUMBER / REMARKS
260 -	FG6 - 8010 - 000		1	PAPER PICK-UP DRIVE ASSEMBLY	
1	FA9 - 3822 - 000		1	LABEL, DISCRIMINATE	
2	FB2 - 7841 - 000		1	COUPLING, REGISTRATION	
3	FB4 - 3723 - 020		1	SHAFT, INPUT	
4	FB4 - 3728 - 000		1	SUPPORT, COUPLING	
5	FB4 - 3729 - 000		1	COUPLING	
6	FH6 - 1936 - 000		1	MOTOR, BRUSHLESS	M2 J621,622
7	FS1 - 1189 - 000		3	BUSHING	
8	FS1 - 1449 - 000		2	BUSHING	
9	FS2 - 3494 - 020		1	PULLEY, 39T	
10	FS3 - 0165 - 000		1	GEAR, 40T	
11	FS4 - 0145 - 000		2	GEAR, 20T	
12	FS5 - 3337 - 020		3	PULLEY, IDLER	
13	FS6 - 0056 - 000		1	GEAR, 32T	
14	FS6 - 0062 - 000		2	GEAR, 25T	
15	FS6 - 0096 - 000		1	GEAR, 20T/32T	
16	FS6 - 2776 - 000		1	SPRING, TENSION	
17	FS6 - 2999 - 000		1	SPRING, COMPRESSION	
18	FS7 - 0035 - 020		1	GEAR, 68T	
19	FS7 - 0036 - 000		9	GEAR, 50T	
20	XA9 - 0628 - 000		12	SCREW,RS,M4X8	
21	XA9 - 1030 - 000		4	SCREW, RS, M4X12	
22	XG9 - 0249 - 000		7	BEARING, BALL	
23	XG9 - 0250 - 000		1	BEARING, BALL	
501	XB6 - 2401 - 008		2	SETSCREW,M4X10	
502	XD2 - 1100 - 642		31	RING,E	
503	XD3 - 2200 - 142		4	PIN,DOWEL	
504	XD3 - 2200 - 162		5	PIN,DOWEL	
505	XD3 - 2300 - 142		1	PIN,DOWEL	
506	XD3 - 2300 - 182		2	PIN,DOWEL	

FIGURE 261 CASSETTE PICK-UP DRIVE ASSEMBLY

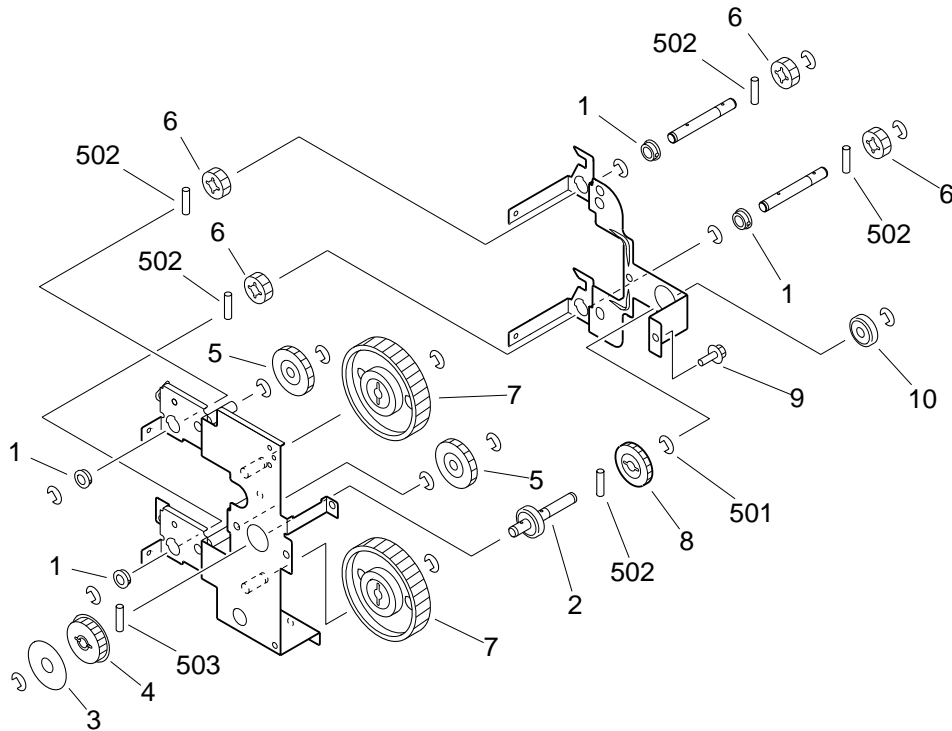


FIGURE & KEY NO.	PART NUMBER	RANK	QTY	DESCRIPTION	SERIAL NUMBER / REMARKS
261 -	FG5 - 4449 - 050		1	CASSETTE PICK-UP DRIVE ASS'Y	
1	FA9 - 2112 - 000		4	BUSHING	
2	FB3 - 8615 - 000		1	SHAFT, PICK-UP PULLEY	
3	FB3 - 8616 - 000		1	FLANGE	
4	FS2 - 3494 - 020		1	PULLEY, 39T	
5	FS4 - 0014 - 000		2	GEAR, 36T	
6	FS4 - 0145 - 000		4	GEAR, 20T	
7	FS6 - 0055 - 000		2	GEAR, 76T	
8	FS6 - 0056 - 000		1	GEAR, 32T	
9	XA9 - 0628 - 000		3	SCREW,RS,M4X8	
10	XG9 - 0208 - 000		1	BEARING, BALL	
501	XD2 - 1100 - 642		15	RING,E	
502	XD3 - 2200 - 142		5	PIN,DOWEL	
503	XD3 - 2200 - 162		1	PIN,DOWEL	

FIGURE 263 LEFT PICK-UP DRIVE ASSEMBLY

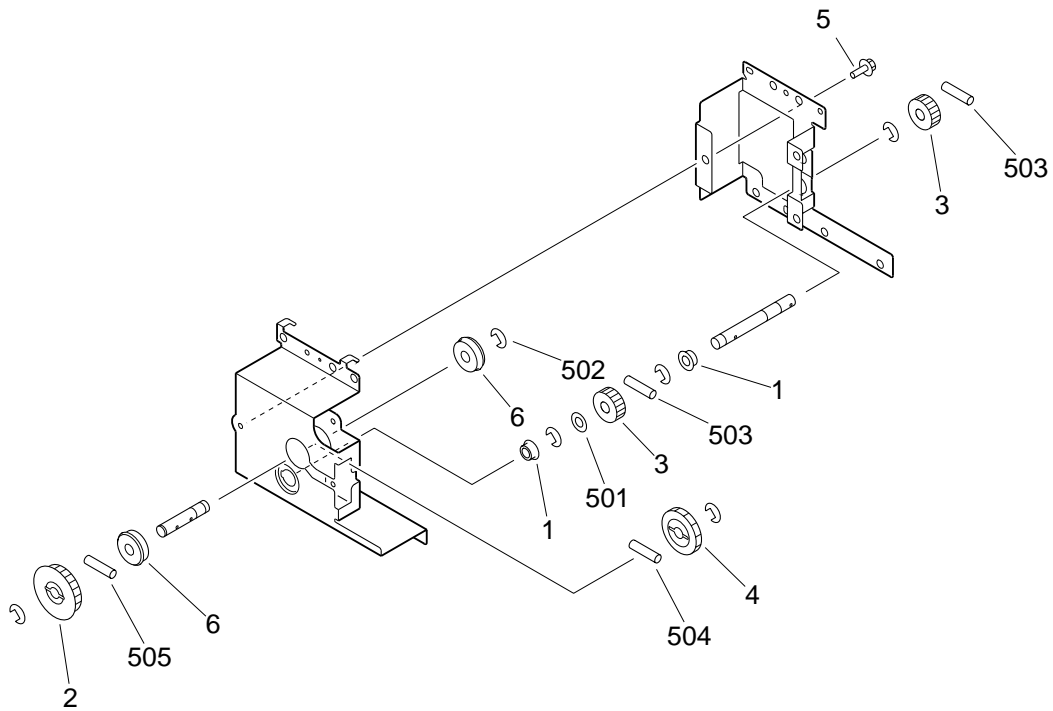
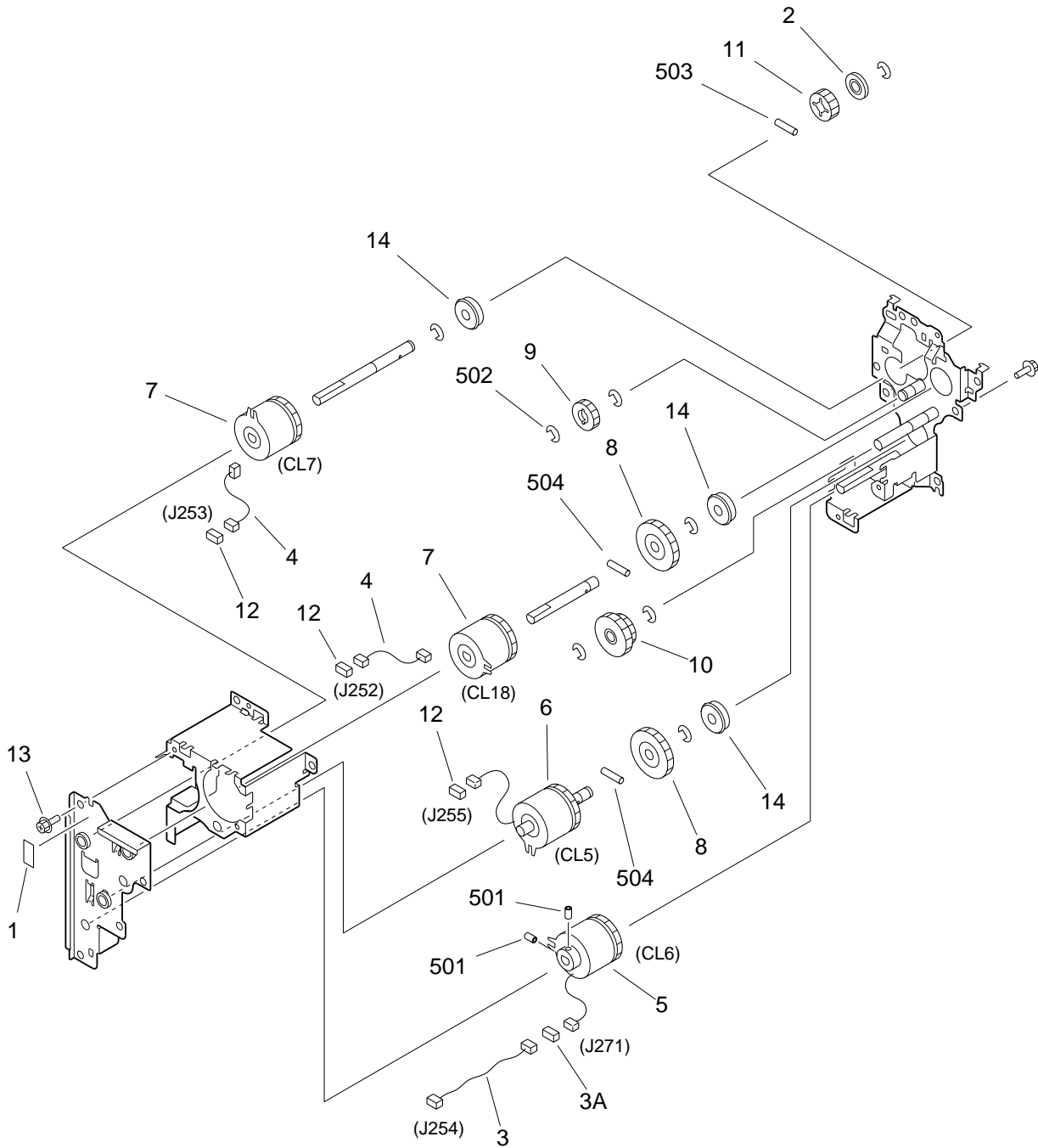


FIGURE & KEY NO.	PART NUMBER	RANK	QTY	DESCRIPTION	SERIAL NUMBER / REMARKS
263 -	FG6 - 1996 - 000		1	LEFT PICK-UP DRIVE ASSEMBLY	
1	FS1 - 1189 - 000		2	BUSHING	
2	FS2 - 3494 - 020		1	PULLEY, 39T	
3	FS5 - 0514 - 000		2	GEAR, 20T	
4	FS6 - 0056 - 000		1	GEAR, 32T	
5	XA9 - 0628 - 000		5	SCREW,RS,M4X8	
6	XG9 - 0249 - 000		2	BEARING, BALL	
501	XD1 - 1108 - 219		1	SHIM	
502	XD2 - 1100 - 642		6	RING,E	
503	XD3 - 2200 - 122		2	PIN,DOWEL	
504	XD3 - 2200 - 142		1	PIN,DOWEL	
505	XD3 - 2200 - 162		1	PIN,DOWEL	

FIGURE 264 MULTI FEED DRIVE ASSEMBLY



NOTE: This assembly does not include the part shown with key No.12.

FIGURE & KEY NO.	PART NUMBER	RANK	QTY	DESCRIPTION	SERIAL NUMBER / REMARKS
264 -	FG6 - 8580 - 000		1	MULTI FEED DRIVE ASSEMBLY	
1	FA9 - 3822 - 000		1	LABEL, DISCRIMINATE	
2	FB4 - 3767 - 000		1	COLLAR, PUSH-ON	
3	FG6 - 3572 - 000		1	CABLE, MULTI FEED DRIVE	J254,271
3 A	VS1 - 5057 - 002		1	CONNECTOR, SNAP TIGHT	J271
4	FG6 - 8623 - 000		2	CABLE, CLUTCH	J252,253
5	FH6 - 5014 - 000		1	CLUTCH, ELECTROMAGNETIC	CL6 J271
6	FH6 - 5016 - 000		1	CLUTCH, ELECTROMAGNETIC	CL5 J255
7	FH6 - 5043 - 000		2	CLUTCH, ELECTROMAGNETIC	CL7,18
8	FS4 - 0014 - 000		2	GEAR, 36T	
9	FS6 - 0053 - 020		1	GEAR, 20T	
10	FS7 - 0033 - 000		1	GEAR, 24T/30T	
11	FS7 - 0034 - 000		1	GEAR, 20T	
12	VS1 - 5057 - 002		3	CONNECTOR, SNAP TIGHT	SEE NOTE J252,253,255
13	XA9 - 0628 - 000		7	SCREW,RS,M4X8	
14	XG9 - 0249 - 000		3	BEARING, BALL	
501	XB6 - 2400 - 608		2	SETSCREW,M4X6	
502	XD2 - 1100 - 642		9	RING,E	
503	XD3 - 2200 - 122		1	PIN,DOWEL	
504	XD3 - 2200 - 162		2	PIN,DOWEL	

FIGURE 270 DEVELOPING DRIVE ASSEMBLY

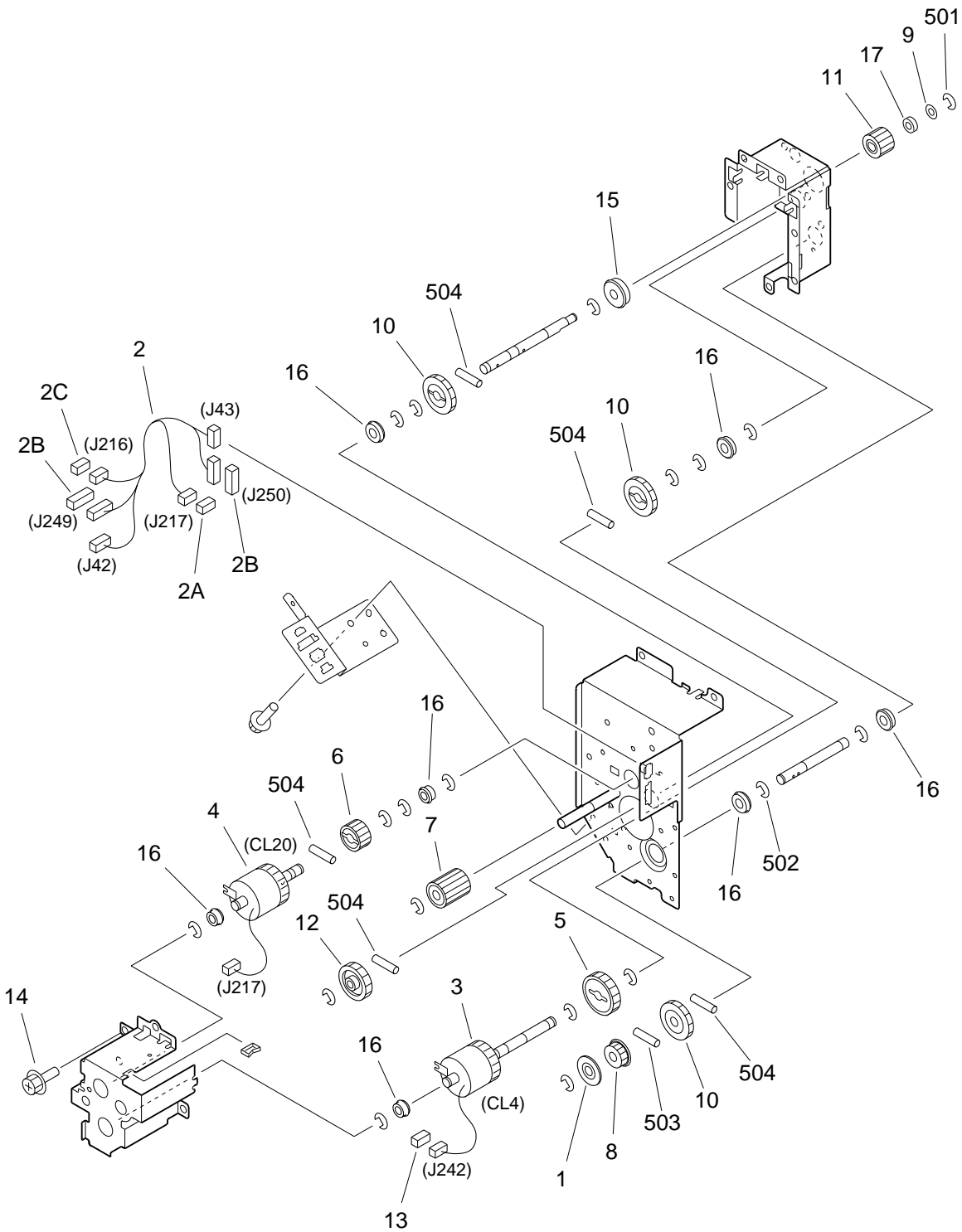
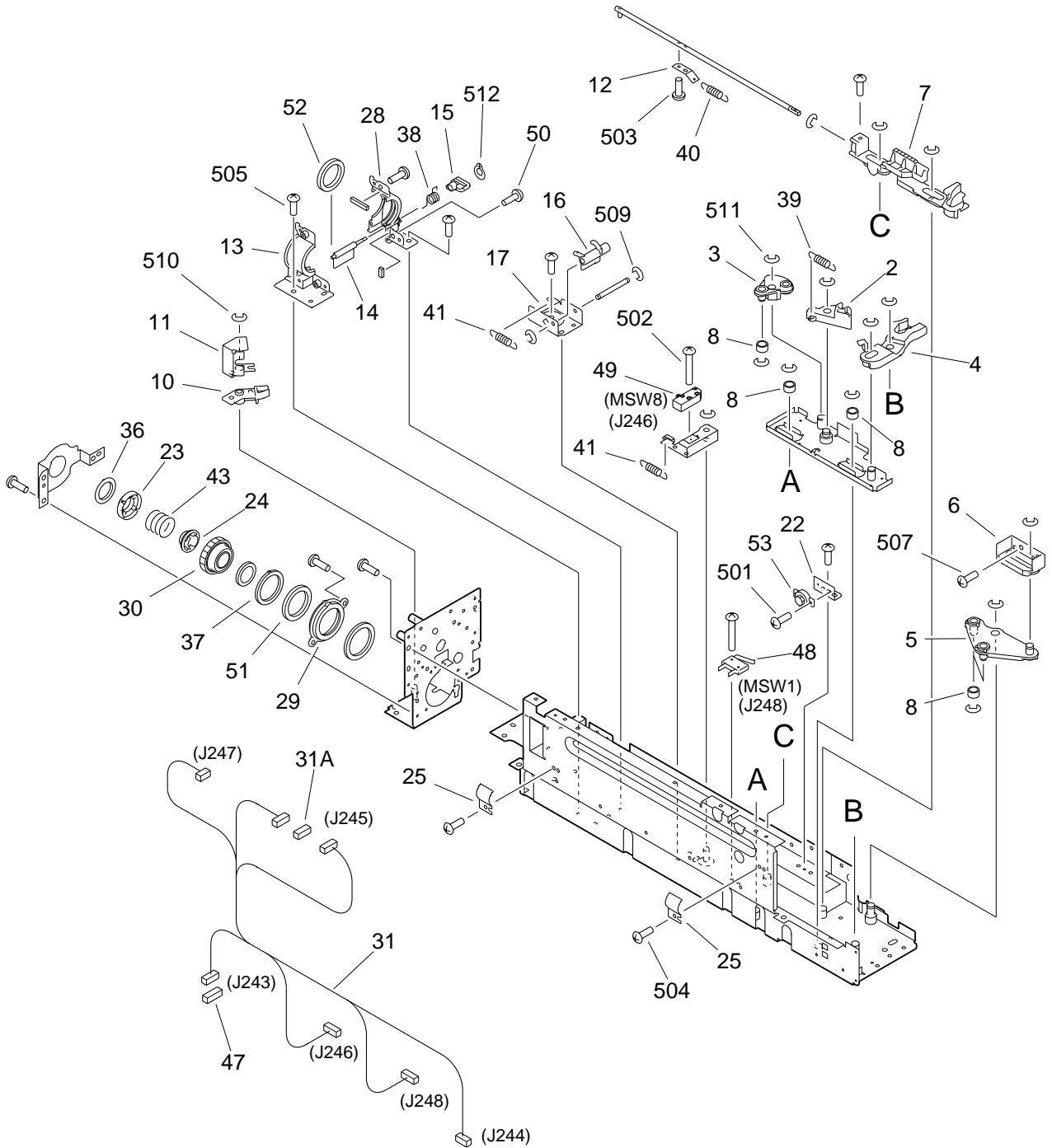


FIGURE & KEY NO.	PART NUMBER	RANK	QTY	DESCRIPTION	SERIAL NUMBER / REMARKS
270 -	FG6 - 7327 - 000		1	DEVELOPING DRIVE ASSEMBLY	
1	FB4 - 1806 - 000		1	FLANGE	
2	FG6 - 7214 - 000		1	CABLE, MAIN DRIVE	J42,43,216,217,249 J250
2A	VS1 - 5057 - 002		1	CONNECTOR, SNAP TIGHT	J217
2B	VS1 - 5057 - 007		2	CONNECTOR, SNAP TIGHT	J249,250
2C	VS1 - 6318 - 002		1	CONNECTOR, SNAP TIGHT	J216
3	FH6 - 5015 - 000		1	CLUTCH, ELECTROMAGNETIC	CL4 J242
4	FH6 - 5017 - 000		1	CLUTCH, ELECTROMAGNETIC	CL20 J217
5	FS2 - 0485 - 000		1	GEAR, 32T	
6	FS3 - 0046 - 000		1	GEAR, 20T	
7	FS4 - 0157 - 000		1	GEAR, 20T	
8	FS5 - 3889 - 000		1	PULLEY, 20T	
9	FS5 - 6488 - 000		1	WASHER	
10	FS6 - 0056 - 000		3	GEAR, 32T	
11	FS7 - 0015 - 000		1	GEAR, 23T	
12	FS7 - 0072 - 000		1	GEAR, 27T	
13	VS1 - 5057 - 002		1	CONNECTOR, SNAP TIGHT	J242
14	XA9 - 0628 - 000		11	SCREW,RS,M4X8	
15	XG9 - 0249 - 000		1	BEARING, BALL	
16	XG9 - 0250 - 000		7	BEARING, BALL	
17	XG9 - 0395 - 000		1	BEARING, BALL	
501	XD2 - 1100 - 502		1	RING,E	
502	XD2 - 1100 - 642		13	RING,E	
503	XD3 - 2200 - 122		1	PIN,DOWEL	
504	XD3 - 2200 - 142		5	PIN,DOWEL	

FIGURE 275 TONER CARTRIDGE DRIVE ASSEMBLY(1/2)



NOTE: This assembly does not include the part shown with key No.47.

FIGURE 275 TONER CARTRIDGE DRIVE ASSEMBLY(2/2)

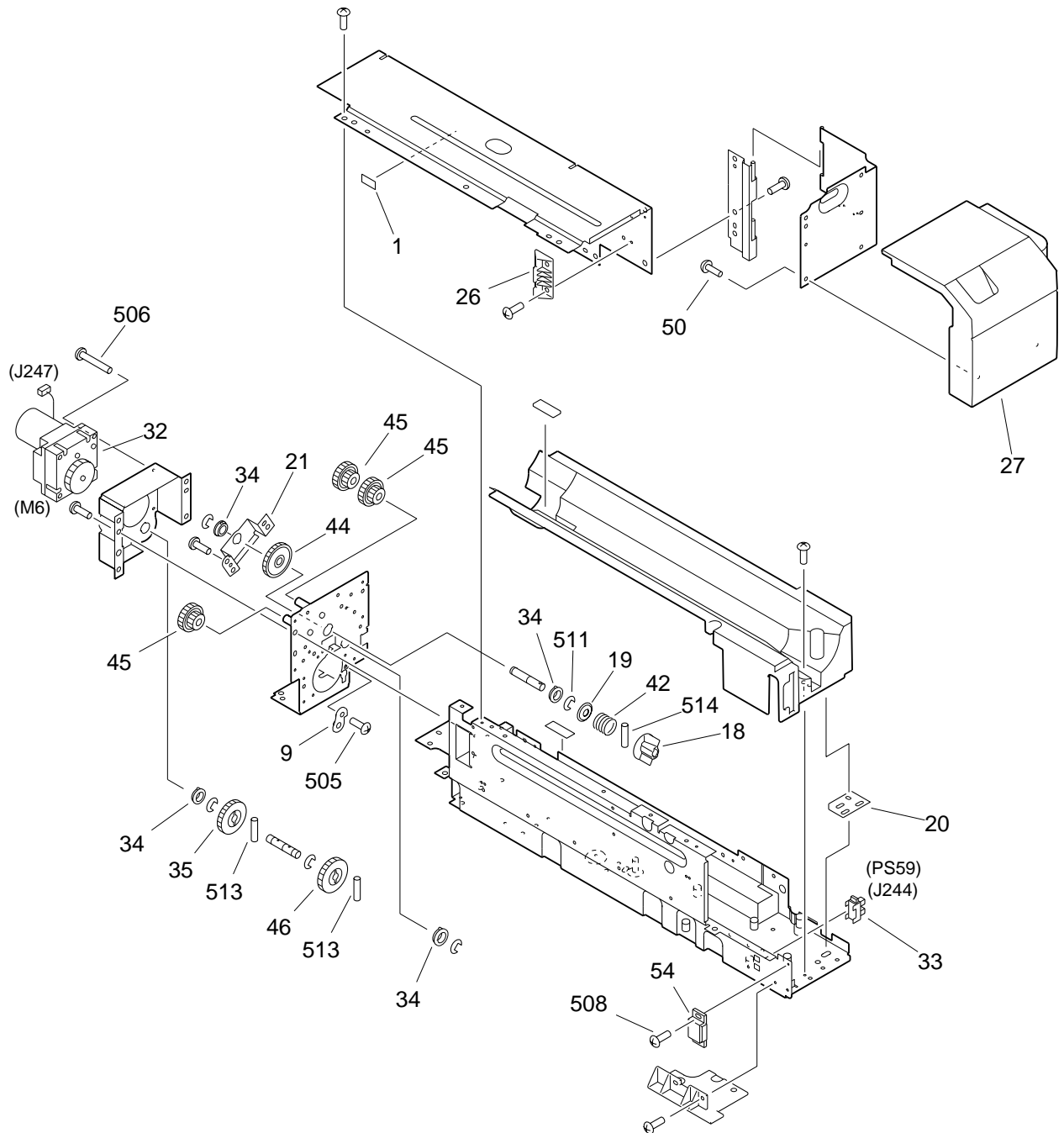


FIGURE & KEY NO.	PART NUMBER	RANK	QTY	DESCRIPTION	SERIAL NUMBER / REMARKS
275 -	FG6 - 8024 - 000		1	TONER CARTRIDGE DRIVE ASSEMBLY	
1	FA9 - 3822 - 000		1	LABEL, DISCRIMINATE	
2	FB4 - 1892 - 000		1	ARM, SEPARATION	
3	FB4 - 1893 - 000		1	HOLDER, BUSHING	
4	FB4 - 1894 - 000		1	LINK, CHUCK	
5	FB4 - 1895 - 000		1	LEVER, CAM	
6	FB4 - 1896 - 000		1	COVER, RAIL	
7	FB4 - 1899 - 000		1	MOUNT, SLIDE	
8	FB4 - 1900 - 000		5	ROLLER	
9	FB4 - 1901 - 000		1	BUSHING	
10	FB4 - 1902 - 000		1	MOUNT, CAP	
11	FB4 - 1903 - 000		1	PLATE, CHUCK CAP	
12	FB4 - 1904 - 000		1	PLATE, SHAFT SUPPORT	
13	FB4 - 1913 - 000		1	MOUNT, RUBBER, LEFT	
14	FB4 - 1915 - 000		1	SHUTTER	
15	FB4 - 1916 - 000		1	LEVER, SHUTTER	
16	FB4 - 1924 - 000		1	LEVER, SENSOR	
17	FB4 - 1925 - 000		1	MOUNT, LEVER	
18	FB4 - 1926 - 000		1	COUPLING	
19	FB4 - 1927 - 000		1	SUPPORT, SPRING	
20	FB4 - 5309 - 000		1	PLATE, HINGE ADJUSTING	
21	FB4 - 5310 - 000		1	MOUNT, SHAFT	
22	FB4 - 9026 - 000		1	PLATE, DAMPER SUPPORT	
23	FB4 - 9027 - 000		1	GEAR, CAP, REAR	
24	FB4 - 9028 - 000		1	CLAW, DRIVE	
25	FB4 - 9514 - 000		2	PLATE, GROUNDING	
26	FB5 - 6877 - 000		1	GUIDE	
27	FB6 - 0445 - 000		1	COVER, CARTRIDGE, FRONT	
28	FF5 - 7715 - 000		1	MOUNT, RUBBER, RIGHT	
29	FF5 - 8655 - 000		1	CASE, GEAR HOLDER	

FIGURE & KEY NO.	PART NUMBER	RANK	QTY	DESCRIPTION	SERIAL NUMBER / REMARKS
275 - 30	FF5 - 8732 - 000		1	GEAR, CAP, FRONT	
31	FG6 - 1889 - 020		1	CABLE, CARTRIDGE	J243-248
31 A	VS1 - 5057 - 002		1	CONNECTOR, SNAP TIGHT	J245
32	FH6 - 1538 - 000		1	MOTOR, DC 9.6W	M6 J247
33	FH7 - 7462 - 000		1	PHOTO-INTERRUPTER	PS59 J244
34	FS1 - 1510 - 000		4	BUSHING	
35	FS3 - 0098 - 000		1	GEAR, 35T	
36	FS5 - 1796 - 000		1	SUPPORT, CAP GEAR, REAR	
37	FS5 - 1802 - 000		1	SUPPORT, CAP GEAR, FRONT	
38	FS5 - 2901 - 000		1	SPRING, TORSION	
39	FS6 - 2763 - 000		1	SPRING, TENSION	
40	FS6 - 2764 - 000		1	SPRING, TENSION	
41	FS6 - 2774 - 000		2	SPRING, TENSION	
42	FS6 - 2887 - 000		1	SPRING, COMPRESSION	
43	FS6 - 2998 - 000		1	SPRING, COMPRESSION	
44	FS7 - 0043 - 000		1	GEAR, 36T	
45	FS7 - 0044 - 000		3	GEAR, 16T/28T	
46	FS7 - 0051 - 000		1	GEAR, 36T	
47	VS1 - 5057 - 007		1	CONNECTOR, SNAP TIGHT	SEE NOTE J243
48	WC4 - 5153 - 000		1	MICRO SWITCH	MSW1 J248
49	WC4 - 5157 - 000		1	MICRO SWITCH	MSW8 J246
50	XA9 - 0605 - 000		6	SCREW,M4X8	
51	XG9 - 0175 - 000		1	SEAL, OIL	
52	XG9 - 0385 - 000		1	PACKING	
53	XH9 - 0090 - 000		1	OIL DAMPER UNIT	
54	XZ9 - 0472 - 000		1	CATCH, MAGNET	
501	XB1 - 1200 - 405		2	SCREW,MACH.,PAN HEAD,M2X4	
502	XB1 - 2231 - 009		2	SCREW,MACH.,TRUSS HEAD,M2.3X10	
503	XB1 - 2300 - 609		3	SCREW,MACH.,TRUSS HEAD,M3X6	
504	XB1 - 2400 - 607		2	SCREW,MACH.,TRUSS HEAD,M4X6	

FIGURE & KEY NO.	PART NUMBER	RANK	QTY	DESCRIPTION	SERIAL NUMBER / REMARKS
275 - 505	XB1 - 2400 - 609		33	SCREW,MACH.,TRUSS HEAD,M4X6	
506	XB1 - 2402 - 509		3	SCREW,MACH.,TRUSS HEAD,M4X25	
507	XB2 - 8400 - 809		2	SCREW,W/WASHER,M4X8	
508	XB6 - 7300 - 809		2	SCREW,TP,M3X8	
509	XD2 - 1100 - 322		2	RING,E	
510	XD2 - 1100 - 502		6	RING,E	
511	XD2 - 1100 - 642		15	RING,E	
512	XD2 - 2100 - 302		1	RING,GRIP	
513	XD3 - 2200 - 142		2	PIN,DOWEL	
514	XD3 - 2300 - 122		1	PIN,DOWEL	

FIGURE 280 WASTE TONER DRIVE ASSEMBLY

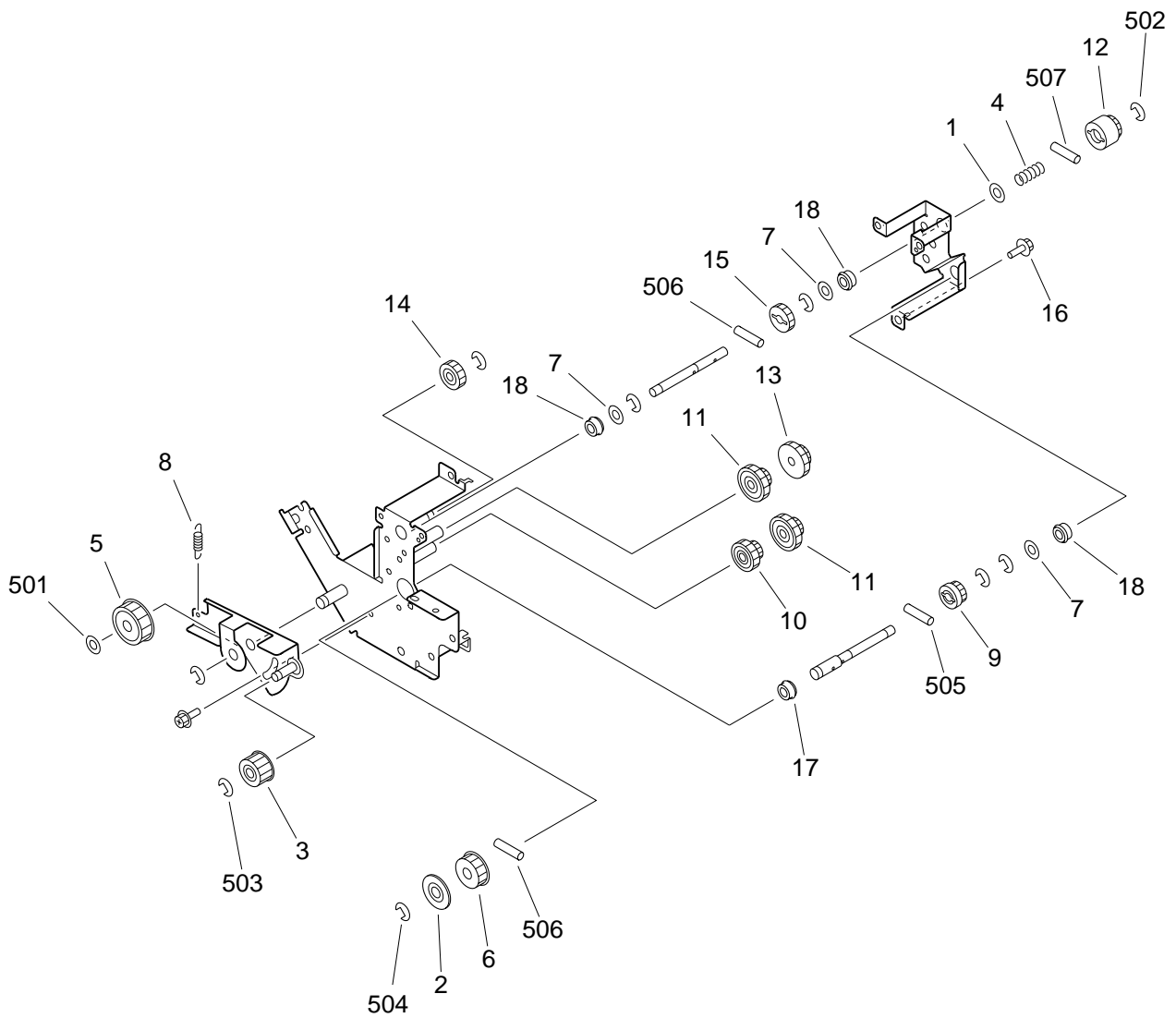


FIGURE & KEY NO.	PART NUMBER	R A N K	Q' T Y	DESCRIPTION	SERIAL NUMBER / REMARKS
280 -	FG6 - 7328 - 000		1	WASTE TONER DRIVE ASSEMBLY	
1	FB4 - 1762 - 000		1	RING, SPRING SUPPORT	
2	FB4 - 1806 - 000		1	FLANGE	
3	FS2 - 3495 - 000		1	PULLEY	
4	FS5 - 2959 - 000		1	SPRING, COMPRESSION	
5	FS5 - 3610 - 000		1	PULLEY, 30T	
6	FS5 - 3890 - 000		1	PULLT, 18T	
7	FS5 - 6488 - 000		3	WASHER	
8	FS6 - 2752 - 000		1	SPRING, TENSION	
9	FS7 - 0020 - 000		1	GEAR, 29T	
10	FS7 - 0021 - 000		1	GEAR, 24T/40T	
11	FS7 - 0022 - 000		2	GEAR, 24T/48T	
12	FS7 - 0026 - 000		1	GEAR, 18T	
13	FU3 - 0414 - 000		1	GEAR, 28T/48T	
14	FU3 - 0415 - 000		1	GEAR, 36T	
15	FU3 - 0416 - 000		1	GEAR, 36T	
16	XA9 - 0628 - 000		4	SCREW,RS,M4X8	
17	XG9 - 0250 - 000		1	BEARING, BALL	
18	XG9 - 0350 - 000		3	BALL BEARING, MF106ZZ1MC3	
501	XD1 - 1108 - 222		1	SHIM	
502	XD2 - 1100 - 322		1	RING,E	
503	XD2 - 1100 - 502		6	RING,E	
504	XD2 - 1100 - 642		2	RING,E	
505	XD3 - 2200 - 102		1	PIN,DOWEL	
506	XD3 - 2200 - 122		2	PIN,DOWEL	
507	XD3 - 2200 - 142		1	PIN,DOWEL	

FIGURE 300 CASSETTE

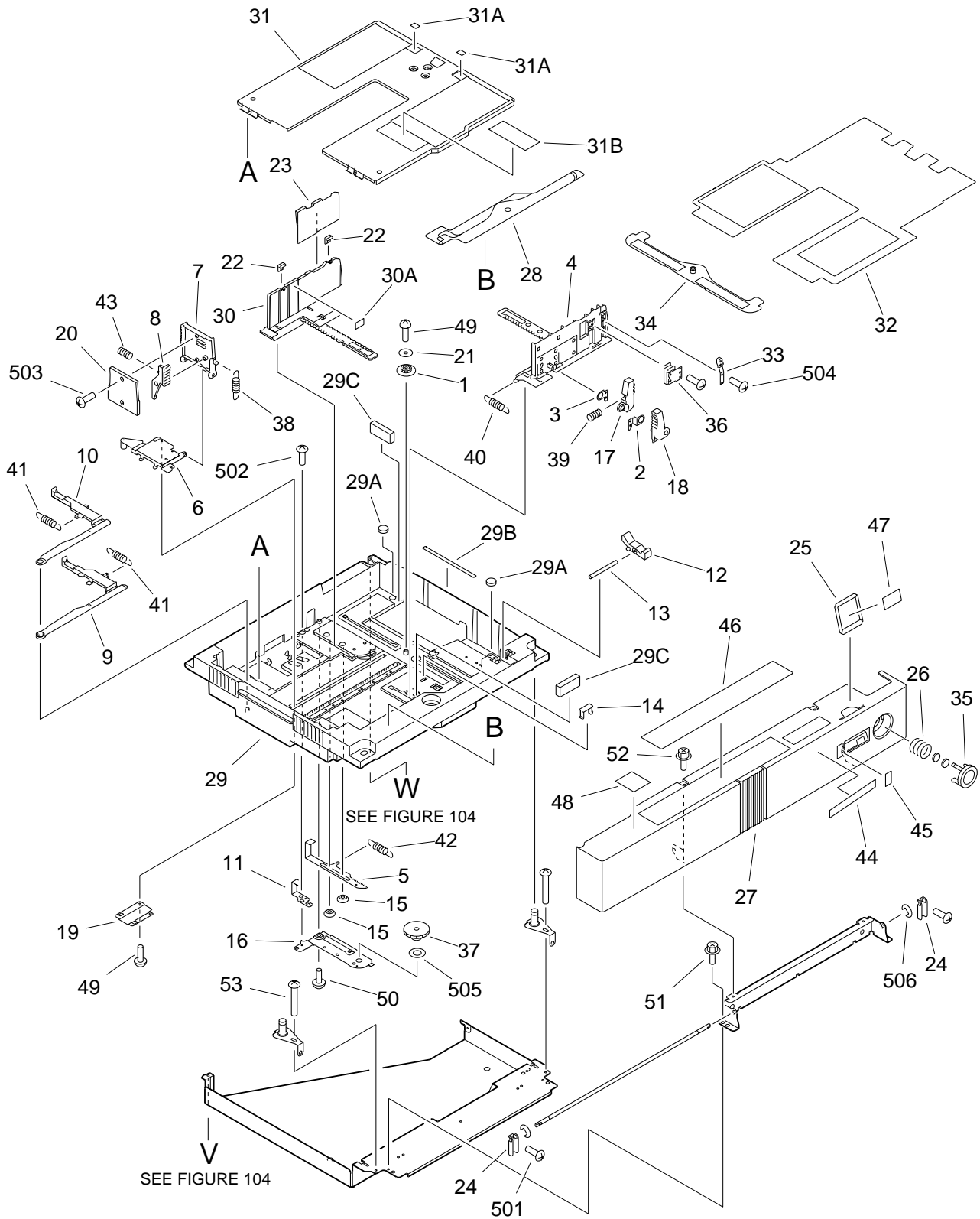
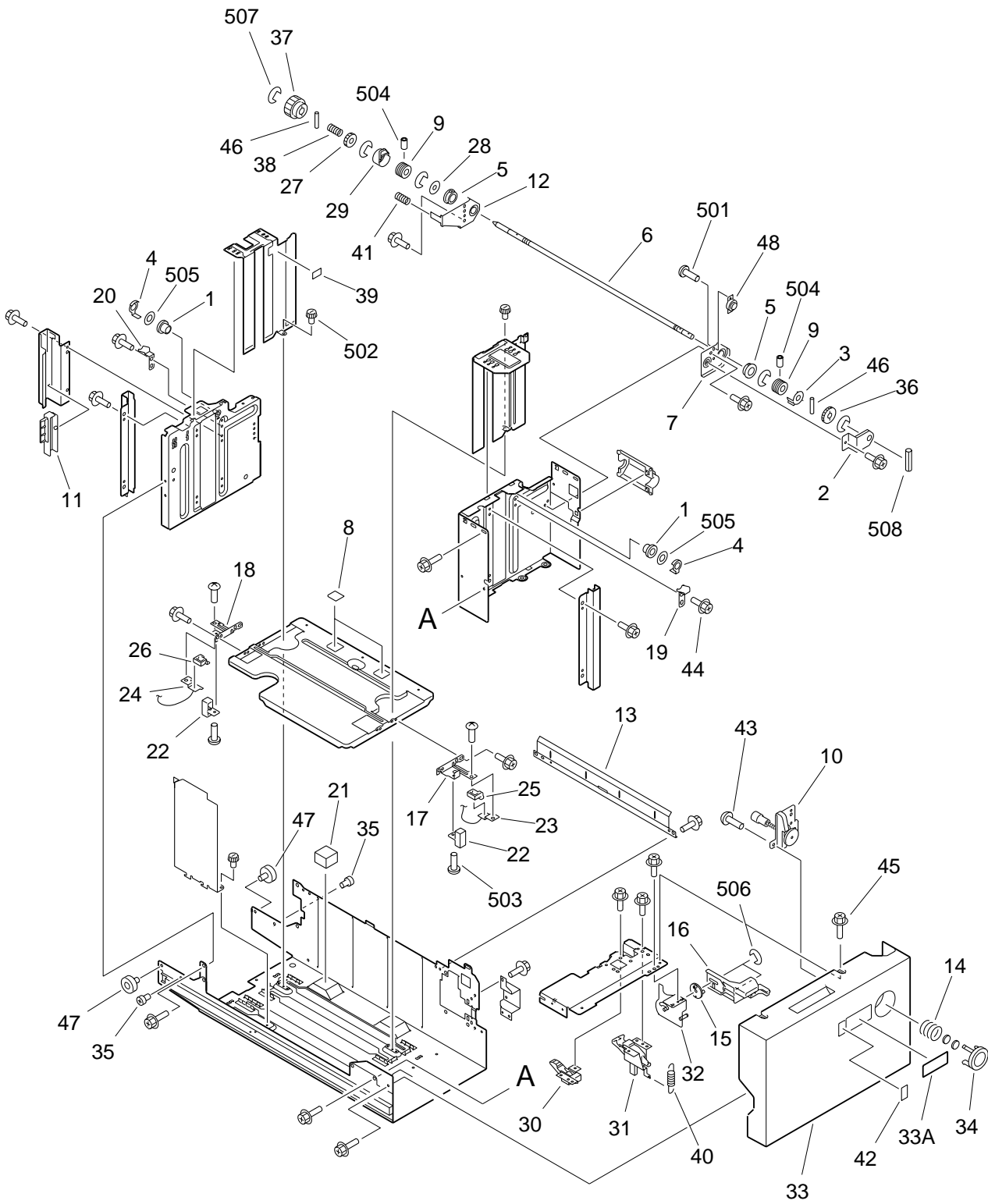


FIGURE & KEY NO.	PART NUMBER	RANK	QTY	DESCRIPTION	SERIAL NUMBER / REMARKS
300 -	NPN		RF	CASSETTE	
1	FA9 - 3674 - 000		1	GEAR, 17T	
2	FB2 - 6043 - 000		1	PLATE, CATCH, 1	
3	FB2 - 6044 - 000		1	PLATE, CATCH, 2	
4	FB3 - 9303 - 020		1	PLATE, SIDE GUIDE, FRONT	
5	FB3 - 9305 - 000		1	PLATE, VOLUME RACK	
6	FB3 - 9306 - 000		1	MOUNT, END GUIDE	
7	FB3 - 9307 - 000		1	PLATE, END GUIDE	
8	FB3 - 9308 - 000		1	LEVER, END GUIDE	
9	FB3 - 9311 - 000		1	CAM, END PLATE SENSING, 1	
10	FB3 - 9312 - 000		1	CAM, END PLATE SENSING, 2	
11	FB3 - 9313 - 000		1	PLATE, VOLUME	
12	FB3 - 9314 - 000		1	LEVER, RELEASE	
13	FB3 - 9315 - 000		1	SHAFT, RELEASE LEVER	
14	FB3 - 9316 - 000		3	CLAW, SENSING	
15	FB3 - 9319 - 000		2	BUSHING	
16	FB3 - 9320 - 000		1	PLATE, COVER, LOWER	
17	FB3 - 9322 - 020		1	KNOB, SIDE GUIDE, 1	
18	FB3 - 9323 - 020		1	KNOB, SIDE GUIDE, 2	
19	FB3 - 9326 - 000		1	PLATE, END GUIDE, LOWER	
20	FB3 - 9327 - 000		1	COVER, END GUIDE PLATE	
21	FB3 - 9335 - 000		1	RING, GEAR STOP	
22	FB3 - 9337 - 000		2	CLAW, SIDE GUIDE PLATE	
23	FB3 - 9340 - 000		1	COVER, SIDE GUIDE PLATE	
24	FB4 - 5253 - 000		2	LINK, CASSETTE	
25	FB5 - 1489 - 000		1	PLATE, SIZE	
26	FB5 - 3365 - 000		1	SPRING, COMPRESSION	
27	FB5 - 6987 - 000		1	COVER, CASSETTE, FRONT	
28	FB5 - 9351 - 000		1	SHEET, TAB ATTACHMENT	
29	FF5 - 6183 - 000	N	1	BODY, CASSETTE	

FIGURE & KEY NO.	PART NUMBER	RANK	QTY	DESCRIPTION	SERIAL NUMBER / REMARKS
300 - 29A	FB3 - 9321 - 000		2	SHEET, DAMPER	
29B	FB3 - 9329 - 000		1	LABEL, CASSETTE GRIP, RIGHT	
29C	FB3 - 9336 - 000		2	PAD, SILENCER	
30	FF5 - 6189 - 000		1	PLATE, SIDE GUIDE, REAR	
30A	FS5 - 8618 - 000		1	LABEL, "MAXIMUM LOAD"	
31	FF5 - 9550 - 000		1	PLATE, LIFTING	
31A	FB5 - 2841 - 000		2	SHEET, SEPARATION	
31B	FS5 - 8619 - 000		1	LABEL, SIZE	
32	FF6 - 1019 - 000		1	SHEET, TAB	
33	FF6 - 1034 - 000		1	SPRING, LEAF, 1	
34	FF6 - 1052 - 000		1	COVER, WEIGHT	A4 TYPE
	FF6 - 1051 - 000		1	COVER, WEIGHT	LTR TYPE
35	FF6 - 1054 - 000		1	BUTTON, PUSH	
36	FF6 - 1333 - 000		1	SPRING, LEAF, 2	
37	FS5 - 0532 - 000		1	GEAR, 15T/42T	
38	FS5 - 2328 - 000		1	SPRING, TENSION	
39	FS5 - 2650 - 000		1	SPRING, COMPRESSION	
40	FS6 - 2691 - 000		1	SPRING, TENSION	
41	FS6 - 2692 - 000		2	SPRING, TENSION	
42	FS6 - 2693 - 000		1	SPRING, TENSION	
43	FS6 - 2694 - 000		1	SPRING, COMPRESSION	
44	FS6 - 8411 - 000		1	LABEL, "UNIVERSAL"	
45	FS6 - 8980 - 000		1	LABEL, NUMBER	
46	FS6 - 8982 - 000		1	LABEL, CASSETTE OPERATION	
47	FS6 - 8990 - 000		1	LABEL, SIZE	
48	FS7 - 8287 - 000		1	LABEL, PAPER SET	
49	XA9 - 0591 - 000		3	SCREW, M3X8	
50	XA9 - 0605 - 000		2	SCREW, M4X8	
51	XA9 - 0628 - 000		10	SCREW, RS, M4X8	
52	XA9 - 0628 - 000		5	SCREW, RS, M4X8	

FIGURE & KEY NO.	PART NUMBER	RANK	QTY	DESCRIPTION	SERIAL NUMBER / REMARKS
300 - 53	XA9 - 0721 - 000		2	SCREW,RS,M4X10	
501	XB1 - 2300 - 609		2	SCREW,MACH.,TRUSS HEAD,M3X6	
502	XB1 - 2400 - 609		1	SCREW,MACH.,TRUSS HEAD,M4X6	
503	XB4 - 7300 - 607		2	SCREW,TAPPING,TRUSS HEAD,M3X6	
504	XB4 - 7300 - 607		2	SCREW,TAPPING,TRUSS HEAD,M3X6	
505	XD1 - 1108 - 235		1	SHIM	
506	XD2 - 1100 - 502		2	RING,E	

FIGURE 302 1.5K RIGHT PAPER STOCK ASSEMBLY



NOTE: This assembly does not include the part shown with key No.42.

FIGURE & KEY NO.	PART NUMBER	R A N K	Q' T Y	DESCRIPTION	SERIAL NUMBER / REMARKS
302 -	FG6 - 7376 - 000		1	1.5K RIGHT PAPER STOCK ASS'Y	
1	FA6 - 9971 - 000		2	PULLEY, IDLER	
2	FA6 - 9986 - 000		1	HOLDER, DAMPER	
3	FA6 - 9988 - 020		1	FLANGE, LIFTER	
4	FA6 - 9989 - 000		2	FLANGE, IDLER	
5	FA9 - 2112 - 000		2	BUSHING	
6	FB2 - 7625 - 000		1	SHAFT, LIFT	
7	FB2 - 7652 - 000		1	SUPPORT, SHAFT, FRONT	
8	FB2 - 7740 - 020		2	SHEET, SEPARATION	
9	FB2 - 8465 - 000		2	PULLEY, LIFTING, FRONT	
10	FB3 - 8508 - 000		1	PAPER QUANTITY INDICATOR UNIT	
11	FB4 - 2026 - 000		1	LEVER, SLIDE	
12	FB4 - 5268 - 000		1	SUPPORT, SHAFT, REAR	
13	FB4 - 9509 - 000		1	PLATE, SEPARATION	
14	FB5 - 3365 - 000		1	SPRING, COMPRESSION	
15	FB5 - 3370 - 000		1	LEVER, HOOK RELEASE	
16	FB5 - 3569 - 000		1	LEVER, HOOK RELEASE	
17	FB5 - 5606 - 000		1	HOOK, WIRE, FRONT	
18	FB5 - 5607 - 000		1	HOOK, WIRE, REAR	
19	FB5 - 5608 - 000		1	SUPPORT, FRONT	
20	FB5 - 5609 - 000		1	SUPPORT, REAR	
21	FB6 - 2719 - 000		4	PAD	
22	FC1 - 5049 - 000		2	BRACKET	
23	FC1 - 5051 - 000		1	WIRE, LIFTING, FRONT	
24	FC1 - 5052 - 000		1	WIRE, LIFTING, REAR	
25	FC1 - 5055 - 000		1	HOLDER, CABLE, FRONT	
26	FC1 - 5056 - 000		1	HOLDER, CABLE, REAR	
27	FC1 - 5061 - 000		1	GEAR, 28T	
28	FC1 - 5080 - 000		1	PLATE, LIMIT, WIRE	
29	FC1 - 5081 - 000		1	FLANGE, REAR	

FIGURE & KEY NO.	PART NUMBER	RANK	QTY	DESCRIPTION	SERIAL NUMBER / REMARKS
302 - 30	FF5 - 8150 - 000		1	LEVER, CAM RELEASE	
31	FF5 - 8151 - 000		1	HOOK	
32	FF5 - 9791 - 000		1	PLATE, LEVER SUPPORT	
33	FF6 - 1013 - 000		1	FRONT COVER, RIGHT	
33 A	FB5 - 3366 - 000		1	PLATE, INDEX, PAPER	
34	FF6 - 1054 - 000		1	BUTTON, PUSH	
35	FS2 - 9428 - 000		2	SCREW, M6X6	
36	FS4 - 0012 - 000		1	GEAR, 27T	
37	FS4 - 0160 - 000		1	GEAR, 28T	
38	FS4 - 2136 - 000		1	SPRING, COMPRESSION	
39	FS5 - 8618 - 000		1	LABEL, "MAXIMUM LOAD"	
40	FS6 - 2983 - 000		1	SPRING, TENSION	
41	FS6 - 2984 - 000		1	SPRING, COMPRESSION	
42	FS6 - 8981 - 000		2	LABEL, PAPER SIZE	SEE NOTE
43	XA9 - 0605 - 000		2	SCREW,M4X8	
44	XA9 - 0685 - 000		28	SCREW,RS,M4X6	
45	XA9 - 0721 - 000		10	SCREW,RS,M4X10	
46	XD9 - 0104 - 000		2	PIN,DOWEL	
47	XG9 - 0439 - 000		2	BEARING, ROLLER	
48	XH9 - 0082 - 000		1	DAMPER, OIL	
501	XB1 - 2200 - 409		2	SCREW,MACH.,TRUSS HEAD,M2X4	
502	XB1 - 2400 - 607		3	SCREW,MACH.,TRUSS HEAD,M4X6	
503	XB1 - 2400 - 609		4	SCREW,MACH.,TRUSS HEAD,M4X6	
504	XB6 - 2300 - 408		4	SETSCREW,M3X4	
505	XD1 - 1108 - 239		2	SHIM	
506	XD2 - 1100 - 402		2	RING,E	
507	XD2 - 1100 - 642		5	RING,E	
508	XD3 - 1200 - 122		1	PIN,SPRING	

FIGURE 303 1.5K LEFT PAPER STOCK ASSEMBLY

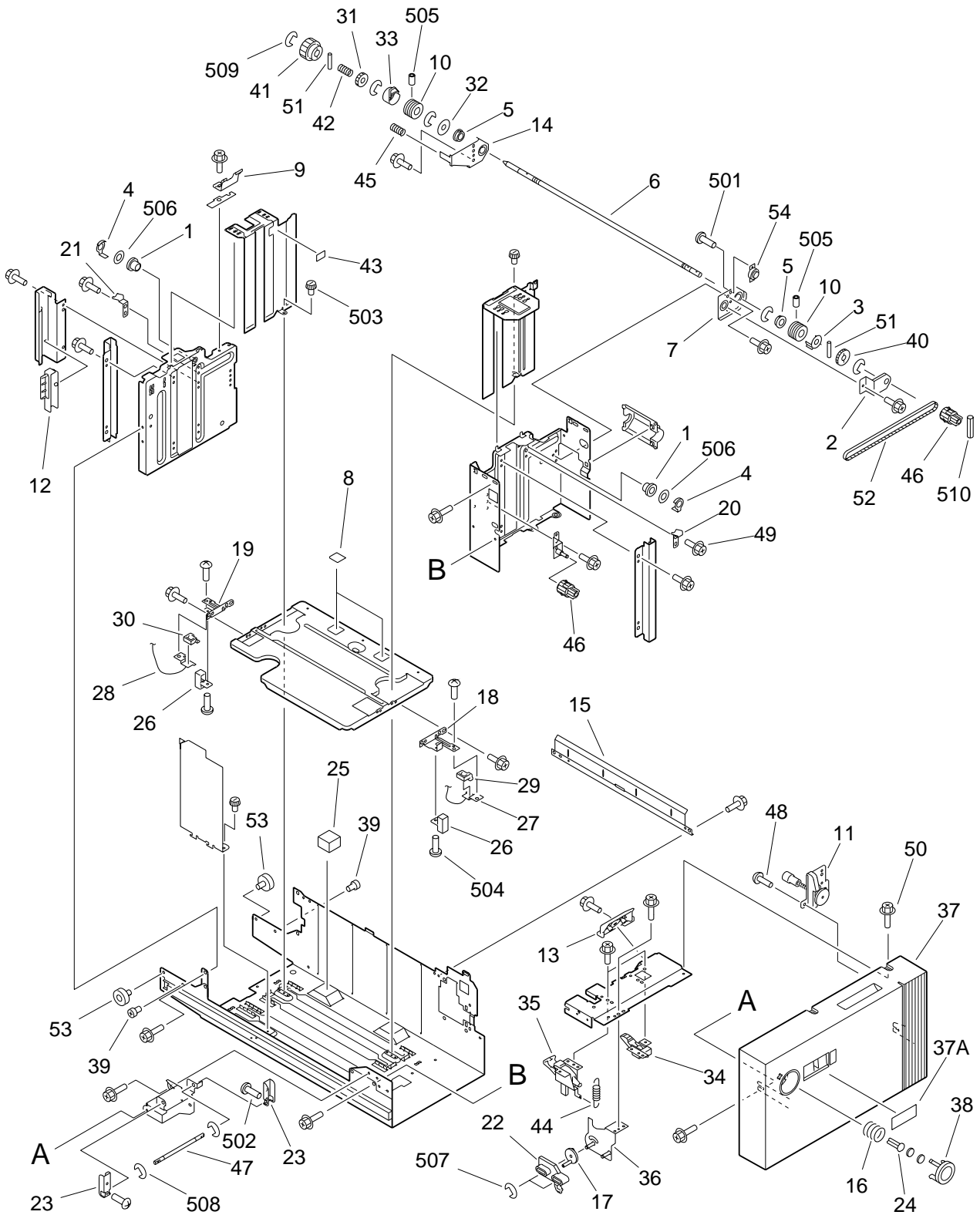


FIGURE & KEY NO.	PART NUMBER	R A N K	Q' T Y	DESCRIPTION	SERIAL NUMBER / REMARKS
303 -	FG6 - 7377 - 000		1	1.5K LEFT PAPER STOCK ASSEMBLY	
1	FA6 - 9971 - 000		2	PULLEY, IDLER	
2	FA6 - 9986 - 000		1	HOLDER, DAMPER	
3	FA6 - 9988 - 020		1	FLANGE, LIFTER	
4	FA6 - 9989 - 000		2	FLANGE, IDLER	
5	FA9 - 2112 - 000		2	BUSHING	
6	FB2 - 7625 - 000		1	SHAFT, LIFT	
7	FB2 - 7652 - 000		1	SUPPORT, SHAFT, FRONT	
8	FB2 - 7740 - 020		2	SHEET, SEPARATION	
9	FB2 - 7758 - 000		1	PLATE, JAM STOP, 1	
10	FB2 - 8465 - 000		2	PULLEY, LIFTING, FRONT	
11	FB3 - 8508 - 000		1	PAPER QUANTITY INDICATOR UNIT	
12	FB4 - 2026 - 000		1	LEVER, SLIDE	
13	FB4 - 5267 - 000		1	LEVER, SEPARATION RELEASE	
14	FB4 - 5268 - 000		1	SUPPORT, SHAFT, REAR	
15	FB4 - 9509 - 000		1	PLATE, SEPARATION	
16	FB5 - 3365 - 000		1	SPRING, COMPRESSION	
17	FB5 - 3370 - 000		1	LEVER, HOOK RELEASE	
18	FB5 - 5606 - 000		1	HOOK, WIRE, FRONT	
19	FB5 - 5607 - 000		1	HOOK, WIRE, REAR	
20	FB5 - 5608 - 000		1	SUPPORT, FRONT	
21	FB5 - 5609 - 000		1	SUPPORT, REAR	
22	FB5 - 6980 - 000		1	LEVER, HOOK RELEASE	
23	FB5 - 6982 - 000		2	LINK, DECK	
24	FB5 - 6986 - 000		1	LEVER, LEFT COVER	
25	FB6 - 2719 - 000		4	PAD	
26	FC1 - 5049 - 000		2	BRACKET	
27	FC1 - 5051 - 000		1	WIRE, LIFTING, FRONT	
28	FC1 - 5052 - 000		1	WIRE, LIFTING, REAR	
29	FC1 - 5055 - 000		1	HOLDER, CABLE, FRONT	

FIGURE & KEY NO.	PART NUMBER	RANK	QTY	DESCRIPTION	SERIAL NUMBER / REMARKS
303 - 30	FC1 - 5056 - 000		1	HOLDER, CABLE, REAR	
31	FC1 - 5061 - 000		1	GEAR, 28T	
32	FC1 - 5080 - 000		1	PLATE, LIMIT, WIRE	
33	FC1 - 5081 - 000		1	FLANGE, REAR	
34	FF5 - 8150 - 000		1	LEVER, CAM RELEASE	
35	FF5 - 8151 - 000		1	HOOK	
36	FF5 - 9793 - 000		1	PLATE, LEVER SUPPORT	
37	FF6 - 1014 - 000		1	FRONT COVER, LEFT	
37 A	FB5 - 3367 - 000		1	PLATE, INDEX, PAPER	
38	FF6 - 1054 - 000		1	BUTTON, PUSH	
39	FS2 - 9428 - 000		2	SCREW, M6X6	
40	FS4 - 0012 - 000		1	GEAR, 27T	
41	FS4 - 0160 - 000		1	GEAR, 28T	
42	FS4 - 2136 - 000		1	SPRING, COMPRESSION	
43	FS5 - 8618 - 000		1	LABEL, "MAXIMUM LOAD"	
44	FS6 - 2983 - 000		1	SPRING, TENSION	
45	FS6 - 2984 - 000		1	SPRING, COMPRESSION	
46	FS7 - 0662 - 000		2	PULLEY, 25T	
47	FS7 - 5687 - 000		1	SHAFT, RELEASE	
48	XA9 - 0605 - 000		2	SCREW, M4X8	
49	XA9 - 0685 - 000		31	SCREW, RS, M4X6	
50	XA9 - 0721 - 000		10	SCREW, RS, M4X10	
51	XD9 - 0104 - 000		2	PIN, DOWEL	
52	XF9 - 0723 - 000		1	BELT, TIMING	
53	XG9 - 0439 - 000		2	BEARING, ROLLER	
54	XH9 - 0082 - 000		1	DAMPER, OIL	
501	XB1 - 2200 - 409		2	SCREW, MACH., TRUSS HEAD, M2X4	
502	XB1 - 2300 - 609		2	SCREW, MACH., TRUSS HEAD, M3X6	
503	XB1 - 2400 - 607		3	SCREW, MACH., TRUSS HEAD, M4X6	
504	XB1 - 2400 - 609		4	SCREW, MACH., TRUSS HEAD, M4X6	

FIGURE & KEY NO.	PART NUMBER	RANK	QTY	DESCRIPTION	SERIAL NUMBER / REMARKS
303 - 505	XB6 - 2300 - 408		4	SETSCREW,M3X4	
506	XD1 - 1108 - 239		2	SHIM	
507	XD2 - 1100 - 402		2	RING,E	
508	XD2 - 1100 - 502		2	RING,E	
509	XD2 - 1100 - 642		5	RING,E	
510	XD3 - 1200 - 122		1	PIN,SPRING	

FIGURE 305 CASSETTE HEATER ASSEMBLY

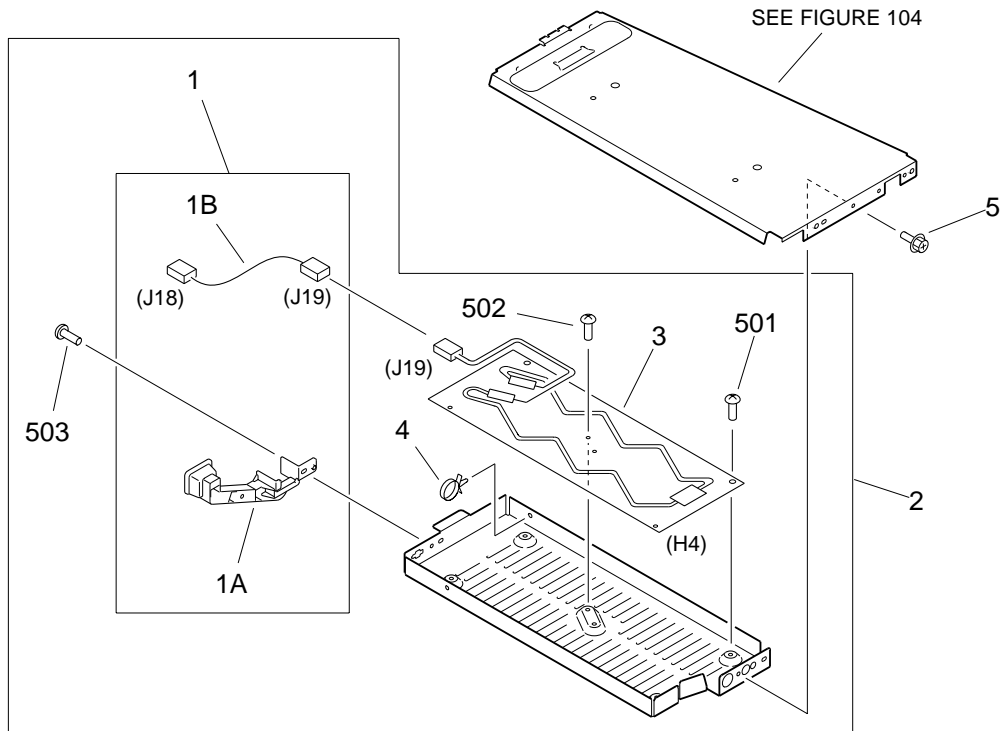
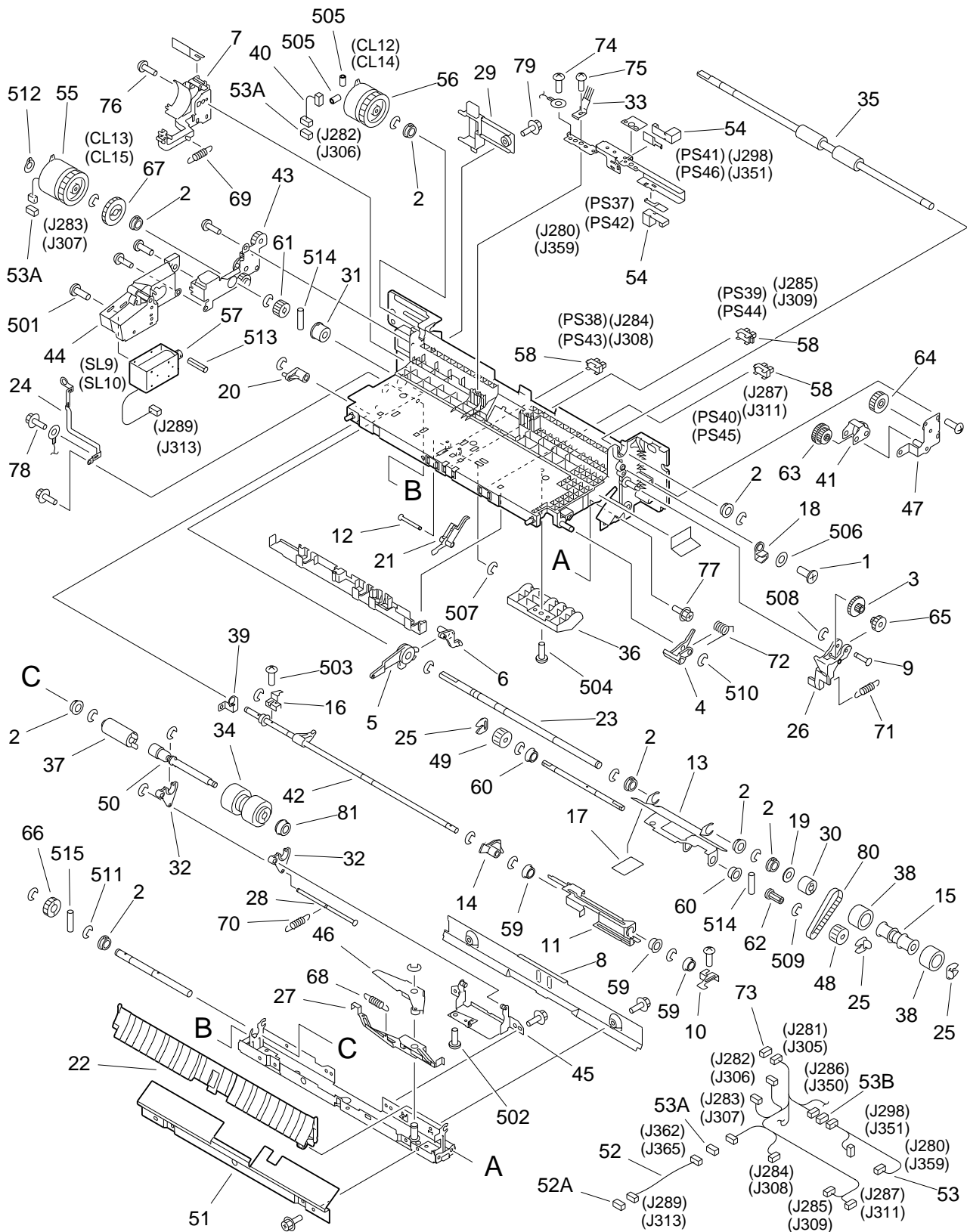


FIGURE & KEY NO.	PART NUMBER	RANK	QTY	DESCRIPTION	SERIAL NUMBER / REMARKS
305 -	NPN		RF	CASSETTE HEATER ASSEMBLY	200V ACCESSORY 220/240V
1	FG2 - 9195 - 000		1	CORD GUIDE ASSEMBLY	
1A	FB3 - 9910 - 000		1	GUIDE, HEATER CABLE	
1B	FG5 - 9419 - 000		1	CABLE, HEATER	J18,19
2	FG2 - 9812 - 000	N	1	HEATER ASSEMBLY	
3	FH7 - 4585 - 000		1	HEATER, CASSETTE	H4 J19
4	WT2 - 5041 - 000		1	CLAMP, CABLE	
5	XA9 - 0628 - 000		2	SCREW,RS,M4X8	
501	XB1 - 2400 - 409		4	SCREW,MACH.,TRUSS HEAD,M4X4	
502	XB6 - 7300 - 409		1	SCREW,TP,M3X4	
503	XB6 - 7400 - 609		1	SCREW,TP,M4X6	

FIGURE 311 CASSETTE PICK-UP ASSEMBLY



NOTE: This assembly does not include the parts shown with key No. 29, 73, and 79.

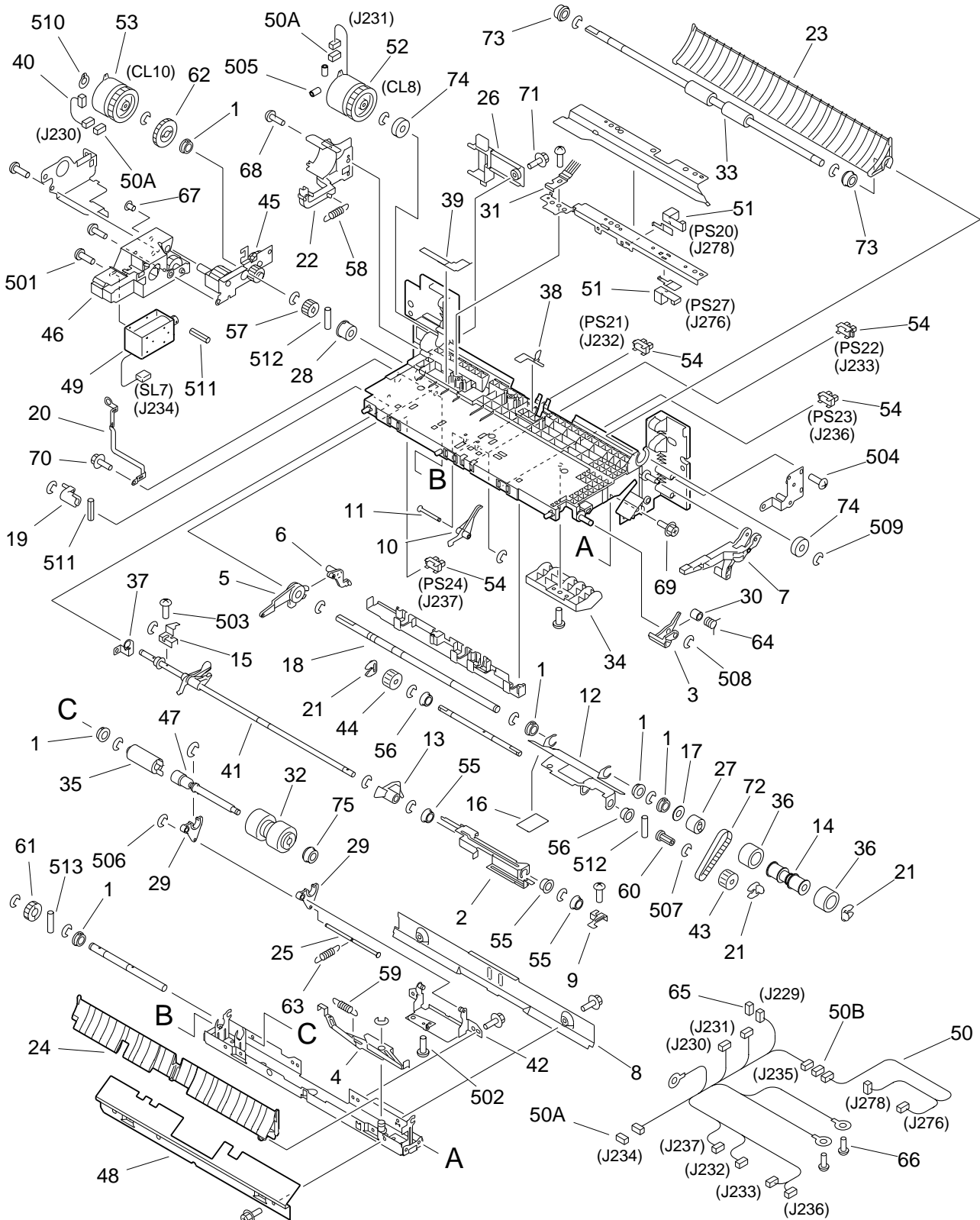
FIGURE & KEY NO.	PART NUMBER	R A N K	Q' T Y	DESCRIPTION	SERIAL NUMBER / REMARKS
311 -	FG9 - 3888 - 000		2	CASSETTE PICK-UP ASSEMBLY	
1	FA6 - 6457 - 000		1	SCREW,M3X5	
2	FA9 - 2112 - 000		8	BUSHING	
3	FA9 - 3827 - 000		1	GEAR, 17T/58T	
4	FB2 - 7593 - 000		1	CAM	
5	FB2 - 7605 - 000		1	LINK, UP, 1	
6	FB2 - 7606 - 000		1	LINK, UP, 2	
7	FB2 - 7607 - 020		1	PLATE, LIMIT, CLUTCH	
8	FB2 - 7616 - 000		1	GUIDE, FEED	
9	FB2 - 7620 - 000		1	SHAFT, LIFT, UPPER	
10	FB2 - 7624 - 000		1	PLATE, PICK-UP, FRONT	
11	FB2 - 7631 - 020		1	PLATE, RELEASE	
12	FB2 - 7633 - 000		1	SHAFT, SENSOR	
13	FB2 - 7641 - 000		1	PLATE, PICK-UP	
14	FB2 - 7642 - 000		1	ARM, PAPER	
15	FB2 - 7696 - 000		1	COLLAR, PAPER FEED ROLLER	
16	FB2 - 8266 - 000		1	PLATE, PICK-UP, REAR	
17	FB2 - 8410 - 000		1	SHEET, PICK-UP	
18	FB2 - 8436 - 000		1	BUSHING	
19	FB2 - 8512 - 000		1	SPACER	
20	FB3 - 8333 - 000		1	CAM, PICK-UP RELEASE	
21	FB4 - 1202 - 000		1	FLAG, PAPER	
22	FB4 - 1982 - 000		1	GUIDE, OPEN/CLOSE	
23	FB4 - 1989 - 000		1	SHAFT, PAPER FEED ROLLER	
24	FB4 - 2004 - 000		1	PLATE, GROUNDING	
25	FB4 - 2007 - 000		3	RING, RETAINING	
26	FB4 - 3700 - 000		1	LEVER, LIFTER RELEASE	
27	FB4 - 6214 - 000		1	LEVER, SEPARATION RELEASE, 2	
28	FB4 - 6227 - 000		1	SHAFT, COUNTER	
29	FB4 - 7835 - 000		1	COVER, CONNECTOR, PICK-UP	SEE NOTE

FIGURE & KEY NO.	PART NUMBER	RANK	QTY	DESCRIPTION	SERIAL NUMBER / REMARKS
311 - 30	FB4 - 9029 - 000		1	CLUTCH, ONE-WAY	
31	FB4 - 9043 - 000		1	CLUTCH, ONE-WAY	
32	FB5 - 2063 - 000		2	ARM, SEPARATION ROLLER	
33	FB5 - 5621 - 000		1	ELIMINATOR, STATIC CHARGE	
34	FB5 - 6586 - 000		1	ROLLER, SEPARATION	
35	FB5 - 7013 - 000		1	ROLLER, FEED	
36	FB6 - 0513 - 000		1	GUIDE, UPPER	
37	FB6 - 0519 - 000		1	TORQUE, LIMITER	
38	FB6 - 0615 - 000		2	ROLLER, FEED	
39	FB6 - 2377 - 000		1	PLATE, PICK-UP GROUNDING	
40	FF3 - 4190 - 000		1	CABLE, CLUTCH	J282,306
41	FF5 - 3063 - 030		1	PLATE, LIFT	
42	FF5 - 3220 - 000		1	SHAFT, PAPER PICK-UP	
43	FF5 - 5894 - 000		1	PLATE, SUPPORT, LOWER	
44	FF5 - 5895 - 000		1	MOUNT, PICK-UP SOLENOID	
45	FF5 - 6889 - 000		1	MOUNT, SEPARATION ROLLER	
46	FF5 - 6904 - 000		1	LEVER, SEPARATION RELEASE, 1	
47	FF5 - 6905 - 000		1	SUPPORT, LIFTER GEAR	
48	FF5 - 7829 - 000		1	ROLLER, PICK-UP	FRONT
49	FF5 - 7830 - 000		1	ROLLER, PICK-UP	REAR
50	FF5 - 9784 - 000		1	SHAFT, SEPARATION ROLLER	
51	FF6 - 1533 - 000		1	GUIDE, PICK-UP INLET, RIGHT	
52	FG6 - 2335 - 000		1	CABLE, SOLENOID CONNECTING	J289,362 J313,365
52 A	VS1 - 5057 - 002		1	CONNECTOR, SNAP TIGHT	J289,313
53	FG6 - 8590 - 000		1	CABLE, PAPER PICK-UP	J280-287,298,362 J305-309,311,350,351
53 A	VS1 - 5057 - 002		1	CONNECTOR, SNAP TIGHT	J359,365 J282,283,362 J306,307,365
53 B	VS1 - 5057 - 008		1	CONNECTOR, SNAP TIGHT	J286,350
54	FG6 - 8605 - 000		2	OPTICAL SENSOR PCB ASSEMBLY	PS37,41,42,46 J280,298,359,351
55	FH6 - 5014 - 000		1	CLUTCH, ELECTROMAGNETIC	CL13 J283 CL15 J307

FIGURE & KEY NO.	PART NUMBER	R A N K	Q' T Y	DESCRIPTION	SERIAL NUMBER / REMARKS
311 - 56	FH6 - 5043 - 000		1	CLUTCH, ELECTROMAGNETIC	CL12,14
57	FH7 - 5702 - 000		1	SOLENOID	SL9 J289 SL10 J313
58	FH7 - 7462 - 000		3	PHOTO-INTERRUPTER	PS38-40 J284,285,287 PS43-45 J308,309,311
59	FS1 - 1512 - 000		4	BUSHING	
60	FS1 - 1569 - 000		2	BUSHING	
61	FS5 - 0338 - 000		1	GEAR, 16T	
62	FS5 - 3333 - 000		1	PULLEY, 16T	
63	FS6 - 0048 - 000		1	GEAR, 16T/46T	
64	FS6 - 0049 - 000		1	GEAR, 48T	
65	FS6 - 0051 - 000		1	GEAR, 17T/20T	
66	FS6 - 0053 - 020		1	GEAR, 20T	
67	FS6 - 0056 - 000		1	GEAR, 32T	
68	FS6 - 2668 - 000		1	SPRING, TENSION	
69	FS6 - 2670 - 000		1	SPRING, TENSION	
70	FS6 - 2678 - 000		1	SPRING, TENSION	
71	FS6 - 2742 - 000		1	SPRING, TENSION	
72	FS6 - 2996 - 000		1	SPRING, TORSION	
73	VS1 - 6319 - 026		2	CONNECTOR, SNAP TIGHT	SEE NOTE J281,305
74	XA9 - 0265 - 000		2	SCREW,W/WASHER,TRUSS HEAD	
75	XA9 - 0591 - 000		2	SCREW,M3X8	
76	XA9 - 0605 - 000		4	SCREW,M4X8	
77	XA9 - 0628 - 000		9	SCREW,RS,M4X8	
78	XA9 - 0633 - 000		1	SCREW,RS,M4X8	
79	XA9 - 0643 - 000		1	SCREW,RS,M4X10	SEE NOTE
80	XF9 - 0525 - 000		1	BELT, TIMING, 59T	
81	XG9 - 0407 - 000		1	BEARING, BALL, UGF106P12ZZD4ML	
501	XB1 - 2300 - 407		2	SCREW,MACH.,TRUSS HEAD,M3X4	
502	XB1 - 2300 - 409		1	SCREW,MACH.,TRUSS HEAD,M3X4	
503	XB1 - 2300 - 609		2	SCREW,MACH.,TRUSS HEAD,M3X6	
504	XB1 - 2400 - 609		4	SCREW,MACH.,TRUSS HEAD,M4X6	

FIGURE & KEY NO.	PART NUMBER	RANK	QTY	DESCRIPTION	SERIAL NUMBER / REMARKS
311 - 505	XB6 - 2400 - 509		2	SETSCREW,M4X5	
506	XD1 - 1104 - 132		1	SHIM	
507	XD2 - 1100 - 242		2	RING,E	
508	XD2 - 1100 - 322		1	RING,E	
509	XD2 - 1100 - 372		1	RING,E	
510	XD2 - 1100 - 502		7	RING,E	
511	XD2 - 1100 - 642		11	RING,E	
512	XD2 - 2100 - 802		1	RING,GRIP	
513	XD3 - 0300 - 082		1	PIN,SPRING	
514	XD3 - 2200 - 102		2	PIN,DOWEL	
515	XD3 - 2200 - 122		1	PIN,DOWEL	

FIGURE 312 FRONT DECK (RIGHT) PICK-UP ASSEMBLY



NOTE: This assembly does not include the parts shown with key No. 26, 65 and 71.

FIGURE & KEY NO.	PART NUMBER	R A N K	Q' T Y	DESCRIPTION	SERIAL NUMBER / REMARKS
312 -	FG9 - 3889 - 000		1	FRONT DECK RIGHT PICK-UP ASS'Y	
1	FA9 - 2112 - 000		6	BUSHING	
2	FA9 - 3691 - 000		1	PLATE, PAPER FLAG RELEASE	
3	FB2 - 7593 - 000		1	CAM	
4	FB2 - 7603 - 000		1	LEVER, RELEASE	
5	FB2 - 7605 - 000		1	LINK, UP, 1	
6	FB2 - 7606 - 000		1	LINK, UP, 2	
7	FB2 - 7614 - 000		1	LEVER, RELEASE	
8	FB2 - 7616 - 000		1	GUIDE, FEED	
9	FB2 - 7624 - 000		1	PLATE, PICK-UP, FRONT	
10	FB2 - 7630 - 000		1	FLAG, PAPER	
11	FB2 - 7633 - 000		1	SHAFT, SENSOR	
12	FB2 - 7641 - 000		1	PLATE, PICK-UP	
13	FB2 - 7642 - 000		1	ARM, PAPER	
14	FB2 - 7696 - 000		1	COLLAR, PAPER FEED ROLLER	
15	FB2 - 8266 - 000		1	PLATE, PICK-UP, REAR	
16	FB2 - 8410 - 000		1	SHEET, PICK-UP	
17	FB2 - 8512 - 000		1	SPACER	
18	FB4 - 1989 - 000		1	SHAFT, PAPER FEED ROLLER	
19	FB4 - 2000 - 000		1	CAM, PICK-UP RELEASE, REAR	
20	FB4 - 2004 - 000		1	PLATE, GROUNDING	
21	FB4 - 2007 - 000		3	RING, RETAINING	
22	FB4 - 2009 - 000		1	PLATE, CLUTCH LIMIT, RIGHT	
23	FB4 - 2010 - 000		1	GUIDE, JOINT	
24	FB4 - 2012 - 000		1	GUIDE, OPEN/CLOSE, RIGHT	
25	FB4 - 6227 - 000		1	SHAFT, COUNTER	
26	FB4 - 7835 - 000		1	COVER, CONNECTOR, PICK-UP	SEE NOTE
27	FB4 - 9029 - 000		1	CLUTCH, ONE-WAY	
28	FB4 - 9043 - 000		1	CLUTCH, ONE-WAY	
29	FB5 - 2063 - 000		2	ARM, SEPARATION ROLLER	

FIGURE & KEY NO.	PART NUMBER	RANK	QTY	DESCRIPTION	SERIAL NUMBER / REMARKS
312 - 30	FB5 - 4339 - 000		1	SPACER, CAM	
31	FB5 - 5620 - 000		1	ELIMINATOR, STATIC CHARGE	
32	FB5 - 6586 - 000		1	ROLLER, SEPARATION	
33	FB5 - 7013 - 000		1	ROLLER, FEED	
34	FB6 - 0513 - 000		1	GUIDE, UPPER	
35	FB6 - 0519 - 000		1	TORQUE, LIMITER	
36	FB6 - 0615 - 000		2	ROLLER, FEED	
37	FB6 - 2377 - 000		1	PLATE, PICK-UP GROUNDING	
38	FB6 - 4057 - 000		1	PARTITION, RIGHT EXTRACTION	
39	FB6 - 4059 - 000		1	COVER, RIGHT LOWER, 2	
40	FF3 - 4190 - 000		1	CABLE, CLUTCH	J230
41	FF5 - 3228 - 000		1	SHAFT, PICK-UP, UPPER	
42	FF5 - 6889 - 000		1	MOUNT, SEPARATION ROLLER	
43	FF5 - 7829 - 000		1	ROLLER, PICK-UP	FRONT
44	FF5 - 7830 - 000		1	ROLLER, PICK-UP	REAR
45	FF5 - 7832 - 000		1	SUPPORT, PLATE, RIGHT	
46	FF5 - 7833 - 040		1	MOUNT, SOLENOID, RIGHT	
47	FF5 - 9784 - 000		1	SHAFT, SEPARATION ROLLER	
48	FF6 - 1534 - 000		1	GUIDE, PICK-UP INLET, RIGHT	
49	FG6 - 5398 - 000		1	SOLENOID UNIT, 2	SL7 J234
50	FG6 - 8591 - 000		1	CABLE, RIGHT DECK	J229-237,276,278
50 A	VS1 - 5057 - 002		3	CONNECTOR, SNAP TIGHT	J230,231,234
50 B	VS1 - 5057 - 008		1	CONNECTOR, SNAP TIGHT	J235
51	FG6 - 8605 - 000		2	OPTICAL SENSOR PCB ASSEMBLY	PS20,27 J278,276
52	FH6 - 5014 - 000		1	CLUTCH, ELECTROMAGNETIC	CL8 J231
53	FH6 - 5043 - 000		1	CLUTCH, ELECTROMAGNETIC	CL10
54	FH7 - 7462 - 000		4	PHOTO-INTERRUPTER	PS21-24 J232,233,236,237
55	FS1 - 1512 - 000		3	BUSHING	
56	FS1 - 1569 - 000		2	BUSHING	
57	FS5 - 0338 - 000		1	GEAR, 16T	

FIGURE & KEY NO.	PART NUMBER	RANK	QTY	DESCRIPTION	SERIAL NUMBER / REMARKS
312 - 58	FS5 - 2911 - 000		1	SPRING, TENSION	
59	FS5 - 2914 - 000		1	SPRING, TENSION	
60	FS5 - 3333 - 000		1	PULLEY, 16T	
61	FS6 - 0053 - 020		1	GEAR, 20T	
62	FS6 - 0056 - 000		1	GEAR, 32T	
63	FS6 - 2678 - 000		1	SPRING, TENSION	
64	FS6 - 2997 - 000		1	SPRING, TORSION	
65	VS1 - 6319 - 028		1	CONNECTOR, SNAP TIGHT	SEE NOTE J229
66	XA9 - 0265 - 000		2	SCREW,W/WASHER,TRUSS HEAD	
67	XA9 - 0271 - 000		1	SCREW,M4X6	
68	XA9 - 0605 - 000		6	SCREW,M4X8	
69	XA9 - 0628 - 000		9	SCREW,RS,M4X8	
70	XA9 - 0633 - 000		1	SCREW,RS,M4X8	
71	XA9 - 0643 - 000		1	SCREW,RS,M4X10	SEE NOTE
72	XF9 - 0525 - 000		1	BELT, TIMING, 59T	
73	XG9 - 0211 - 000		2	BALL BEARING, MF128ZZ1MC3D4M	
74	XG9 - 0250 - 000		2	BEARING, BALL	
75	XG9 - 0407 - 000		2	BEARING, BALL, UGF106P12ZZD4ML	
501	XB1 - 2300 - 407		2	SCREW,MACH.,TRUSS HEAD,M3X4	
502	XB1 - 2300 - 409		1	SCREW,MACH.,TRUSS HEAD,M3X4	
503	XB1 - 2300 - 609		2	SCREW,MACH.,TRUSS HEAD,M3X6	
504	XB1 - 2400 - 609		4	SCREW,MACH.,TRUSS HEAD,M4X6	
505	XB6 - 2400 - 509		2	SETSCREW,M4X5	
506	XD2 - 1100 - 242		2	RING,E	
507	XD2 - 1100 - 372		1	RING,E	
508	XD2 - 1100 - 502		9	RING,E	
509	XD2 - 1100 - 642		13	RING,E	
510	XD2 - 2100 - 802		1	RING,GRIP	
511	XD3 - 0300 - 082		1	PIN,SPRING	
512	XD3 - 2200 - 102		2	PIN,DOWEL	

FIGURE & KEY NO.	PART NUMBER	R A N K	Q' T Y	DESCRIPTION	SERIAL NUMBER / REMARKS
312 - 513	XD3 - 2200 - 122		1	PIN,DOWEL	

FIGURE 313 FRONT DECK (LEFT) PICK-UP ASSEMBLY

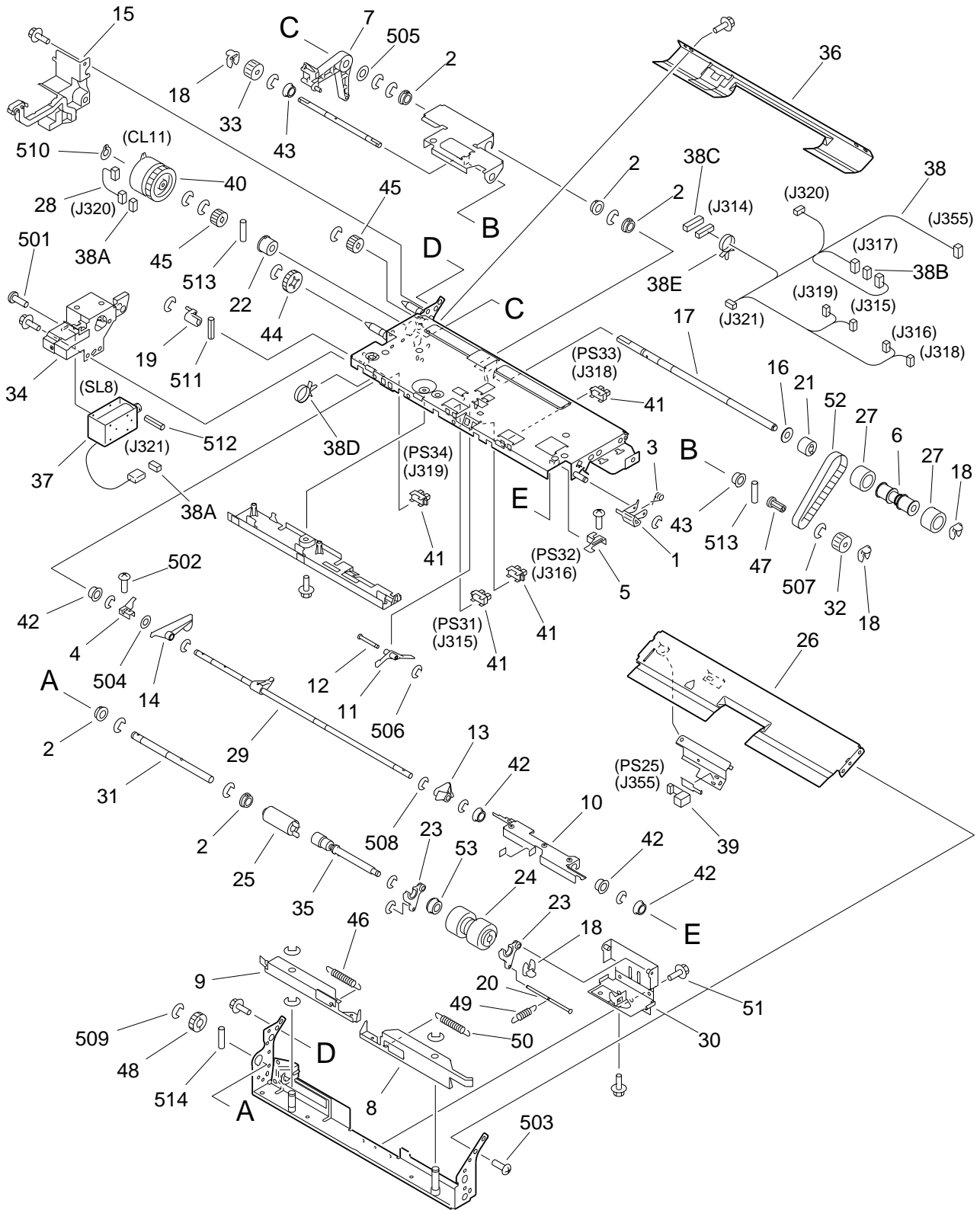
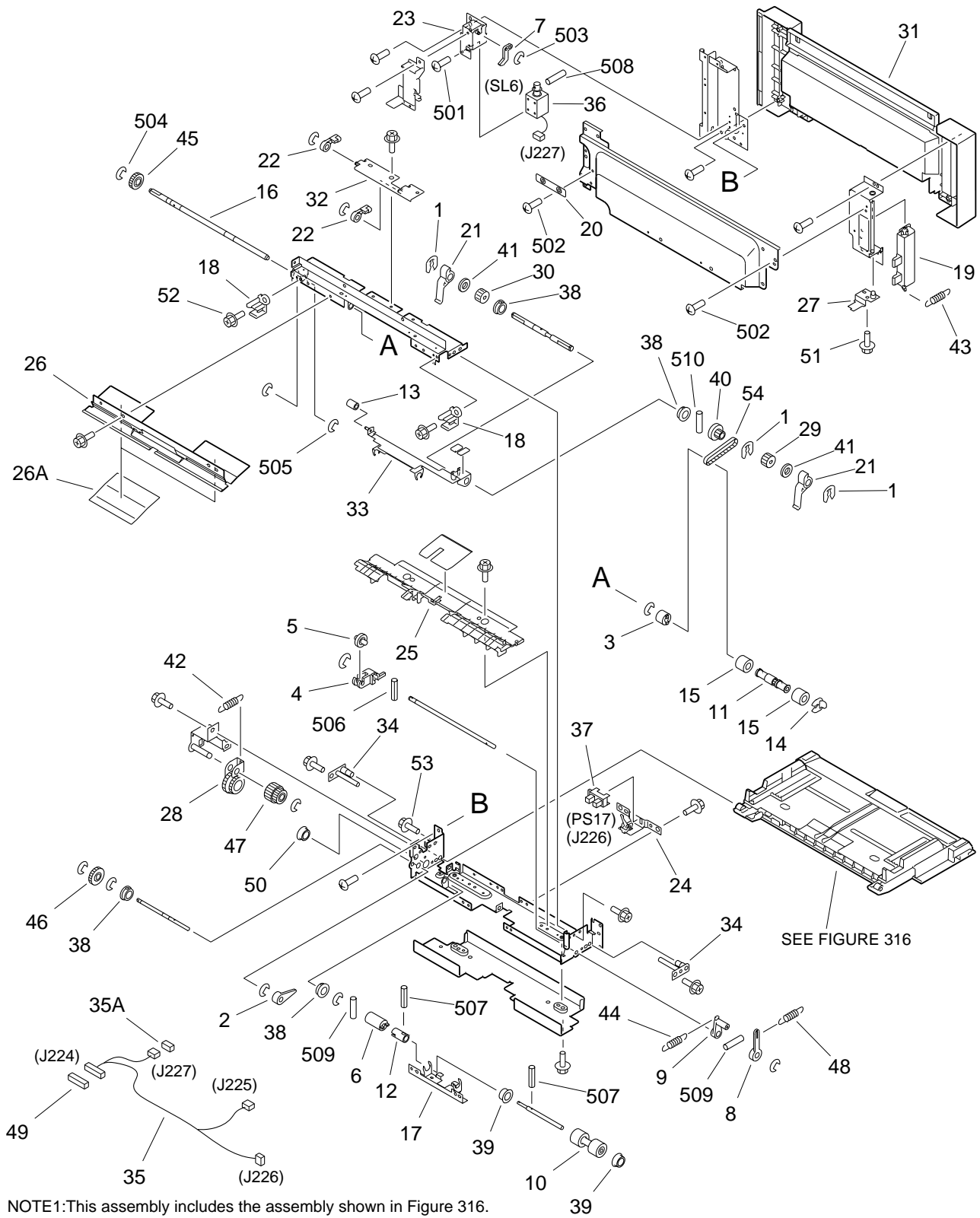


FIGURE & KEY NO.	PART NUMBER	RANK	QTY	DESCRIPTION	SERIAL NUMBER / REMARKS
313 -	FG9 - 3890 - 000		1	FRONT DECK LEFT PICK-UP ASS'Y	
1	FA5 - 2872 - 000		1	ARM, RELEASE, ROLLER, FRONT	
2	FA9 - 2112 - 000		5	BUSHING	
3	FB1 - 7070 - 000		1	SPRING, TORSION	
4	FB2 - 7623 - 000		1	PLATE, PICK-UP, REAR	
5	FB2 - 7624 - 000		1	PLATE, PICK-UP, FRONT	
6	FB2 - 7696 - 000		1	COLLAR, PAPER FEED ROLLER	
7	FB2 - 7715 - 020		1	LINK, RELEASE	
8	FB2 - 7716 - 000		1	PLATE, RELEASE	
9	FB2 - 7717 - 000		1	PLATE, RELEASE	
10	FB2 - 7718 - 000		1	PLATE, RELEASE LEVER	
11	FB2 - 7720 - 000		1	LEVER, PAPER	
12	FB2 - 7721 - 000		1	SHAFT, PAPER LEVER	
13	FB2 - 7722 - 000		1	LEVER, PAPER SENSOR	
14	FB2 - 7723 - 000		1	LEVER, LIMITER	
15	FB2 - 7724 - 000		1	GUIDE, CABLE	
16	FB2 - 8512 - 000		1	SPACER	
17	FB4 - 1990 - 000		1	SHAFT, FEED ROLLER	
18	FB4 - 2007 - 000		3	RING, RETAINING	
19	FB4 - 2031 - 000		1	CAM, PICK-UP RELEASE, REAR	
20	FB4 - 6227 - 000		1	SHAFT, COUNTER	
21	FB4 - 9029 - 000		1	CLUTCH, ONE-WAY	
22	FB4 - 9043 - 000		1	CLUTCH, ONE-WAY	
23	FB5 - 2063 - 000		2	ARM, SEPARATION ROLLER	
24	FB5 - 6586 - 000		1	ROLLER, SEPARATION	
25	FB6 - 0519 - 000		1	TORQUE, LIMITER	
26	FB6 - 0524 - 000		1	GUIDE, PICK-UP, LOWER	
27	FB6 - 0615 - 000		2	ROLLER, FEED	
28	FF3 - 4190 - 000		1	CABLE, CLUTCH	J320
29	FF5 - 3221 - 000		1	SHAFT, PICK-UP, LEFT	

FIGURE & KEY NO.	PART NUMBER	RANK	QTY	DESCRIPTION	SERIAL NUMBER / REMARKS
313 - 30	FF5 - 6890 - 000		1	MOUNT, SEPARATION ROLLER	
31	FF5 - 7540 - 000		1	SHAFT, SEPARATION DRIVE	
32	FF5 - 7829 - 000		1	ROLLER, PICK-UP	
33	FF5 - 7830 - 000		1	ROLLER, PICK-UP	
34	FF5 - 7840 - 020		1	MOUNT, SOLENOID, LEFT	
35	FF5 - 9784 - 000		1	SHAFT, SEPARATION ROLLER	
36	FF6 - 1535 - 000		1	GUIDE, PICK-UP, UPPER	
37	FG6 - 5400 - 000		1	SOLENOID UNIT, 4	SL8 J321
38	FG6 - 8592 - 000		1	CABLE, LEFT DECK	J314-321,355
38 A	VS1 - 5057 - 002		2	CONNECTOR, SNAP TIGHT	J320,321
38 B	VS1 - 5057 - 004		1	CONNECTOR, SNAP TIGHT	J317
38 C	VS1 - 6319 - 020		1	CONNECTOR, SNAP TIGHT	J314
38 D	WT2 - 5178 - 000		6	CLIP, CABLE	
38 E	WT2 - 5565 - 000		1	CLAMP, CABLE	
39	FG6 - 8605 - 000		1	OPTICAL SENSOR PCB ASSEMBLY	PS25 J355
40	FH6 - 5043 - 000		1	CLUTCH, ELECTROMAGNETIC	CL11
41	FH7 - 7462 - 000		4	PHOTO-INTERRUPTER	PS31-34 J315,316,318,319
42	FS1 - 1512 - 000		4	BUSHING	
43	FS1 - 1569 - 000		2	BUSHING	
44	FS2 - 0544 - 000		1	GEAR, 24T	
45	FS5 - 0338 - 000		2	GEAR, 16T	
46	FS5 - 2919 - 000		1	SPRING, TENSION	
47	FS5 - 3333 - 000		1	PULLEY, 16T	
48	FS6 - 0053 - 020		1	GEAR, 20T	
49	FS6 - 2678 - 000		1	SPRING, TENSION	
50	FS7 - 2533 - 000		1	SPRING, TENSION	
51	XA9 - 0628 - 000		11	SCREW,RS,M4X8	
52	XF9 - 0525 - 000		1	BELT, TIMING, 59T	
53	XG9 - 0407 - 000		1	BEARING, BALL, UGF106P12ZZD4ML	
50 1	XB1 - 2300 - 407		2	SCREW,MACH.,TRUSS HEAD,M3X4	

FIGURE & KEY NO.	PART NUMBER	R A N K	Q' T Y	DESCRIPTION	SERIAL NUMBER / REMARKS
313 - 502	XB1 - 2300 - 609		3	SCREW,MACH.,TRUSS HEAD,M3X6	
503	XB1 - 2400 - 609		2	SCREW,MACH.,TRUSS HEAD,M4X6	
504	XD1 - 1108 - 223		1	SHIM	
505	XD1 - 1108 - 226		1	SHIM	
506	XD2 - 1100 - 242		2	RING,E	
507	XD2 - 1100 - 322		1	RING,E	
508	XD2 - 1100 - 502		9	RING,E	
509	XD2 - 1100 - 642		13	RING,E	
510	XD2 - 2100 - 802		1	RING,GRIP	
511	XD3 - 1200 - 102		1	PIN,SPRING	
512	XD3 - 1300 - 102		1	PIN,SPRING	
513	XD3 - 2200 - 102		2	PIN,DOWEL	
514	XD3 - 2200 - 122		1	PIN,DOWEL	

FIGURE 315 MULTI FEED ASSEMBLY



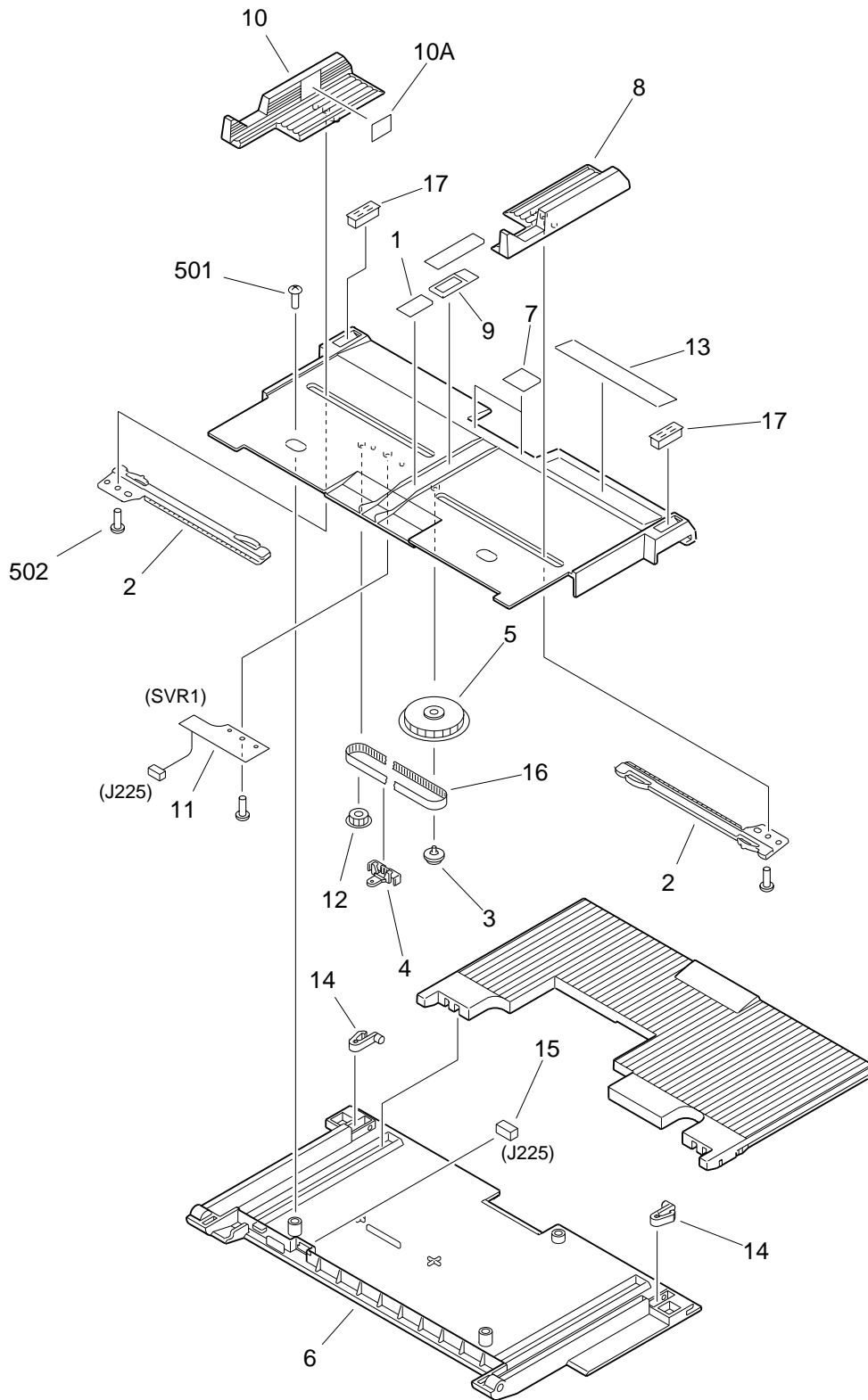
NOTE1: This assembly includes the assembly shown in Figure 316.
 NOTE2: This assembly does not include the part shown with key No.49.

FIGURE & KEY NO.	PART NUMBER	R A N K	Q' T Y	DESCRIPTION	SERIAL NUMBER / REMARKS
315 -	FG6 - 8736 - 000		1	MULTI FEED ASSEMBLY	SEE NOTE 1
1	FA3 - 8727 - 000		3	RING, RETAINING	
2	FA5 - 4266 - 000		1	ARM	
3	FA6 - 7728 - 000		1	COLLAR, FEEDER ROLLER	
4	FA6 - 7737 - 000		1	ARM, RETARD	
5	FA6 - 8071 - 000		1	ROLLER	
6	FA9 - 3669 - 000		1	TORQUE LIMITER	
7	FB2 - 7515 - 020		1	ARM, PICK-UP	
8	FB2 - 7537 - 000		1	LEVER, PRESSURE	
9	FB2 - 7542 - 000		1	LEVER, RELEASE	
10	FB2 - 7545 - 000		1	ROLLER, SPONGE	
11	FB2 - 7558 - 000		1	COLLAR, FEED ROLLER	
12	FB2 - 8227 - 000		1	COUPLING	
13	FB2 - 8384 - 000		1	ROLLER, PICK-UP	
14	FB4 - 2007 - 000		1	RING, RETAINING	
15	FB4 - 2035 - 000		2	ROLLER, FEED ROLLER	
16	FB4 - 3747 - 000		1	SHAFT, FEEDER ROLLER	
17	FB4 - 3750 - 000		1	MOUNT, SEPARATION ROLLER	
18	FB4 - 3759 - 000		2	GUIDE, POSITIONING	
19	FB4 - 3772 - 000		1	HANDLE, MULTI FEED DOOR	
20	FB4 - 7840 - 000		1	TAPE, SUPPORT	
21	FB5 - 2837 - 000		2	SHUTTER	
22	FB5 - 2838 - 000		2	BLOCK, SHUTTER STOP	
23	FF5 - 2939 - 000		1	PLATE, SOLENOID	
24	FF5 - 2943 - 000		1	MOUNT, SENSOR	
25	FF5 - 3135 - 020		1	PLATE, GUIDE PAPER	
26	FF5 - 7673 - 000		1	GUIDE, UPPER	
26 A	FB4 - 3762 - 000		2	SHEET, GUIDE	
27	FF5 - 7674 - 000		1	PLATE, MULTI FEED DOOR SWITCH	
28	FF5 - 7675 - 000		1	GEAR, SWING	

FIGURE & KEY NO.	PART NUMBER	RANK	QTY	DESCRIPTION	SERIAL NUMBER / REMARKS
315 - 29	FF5 - 7829 - 000		1	ROLLER, PICK-UP	
30	FF5 - 7830 - 000		1	ROLLER, PICK-UP	
31	FF5 - 8157 - 000		1	DOOR, MULTI FEED	
32	FF5 - 9551 - 000		1	PLATE, SHUTTER	
33	FF5 - 9561 - 000		1	PLATE, PICK-UP	
34	FF6 - 1856 - 000		2	SUPPORT, TRAY FIXING	
35	FG6 - 1866 - 000		1	CABLE, MULTI	J224-227
35 A	VS1 - 5057 - 003		1	CONNECTOR, SNAP TIGHT	J227
36	FH7 - 5838 - 000		1	SOLENOID	SL6 J227
37	FH7 - 7462 - 000		1	PHOTO-INTERRUPTER	PS17 J226
38	FS1 - 1569 - 000		9	BUSHING	
39	FS2 - 1357 - 000		2	BUSHING	
40	FS5 - 3331 - 000		1	PULLEY, 14T	
41	FS5 - 6581 - 000		2	SPACER, PICK-UP SHAFT	
42	FS6 - 2892 - 000		1	SPRING, TENSION	
43	FS6 - 2893 - 000		1	SPRING, TENSION	
44	FS6 - 2985 - 000		1	SPRING, TENSION	
45	FS7 - 0039 - 000		1	GEAR, 16T	
46	FS7 - 0040 - 000		1	GEAR, 20T	
47	FS7 - 0041 - 000		1	GEAR, 16T/20T	
48	FS7 - 2057 - 000		1	SPRING, TENSION	
49	VS1 - 5057 - 012		1	CONNECTOR, SNAP TIGHT	SEE NOTE 2 J224
50	WT2 - 5189 - 000		1	BUSHING	
51	XA9 - 0628 - 000		18	SCREW,RS,M4X8	
52	XA9 - 0628 - 000		15	SCREW,RS,M4X8	
53	XA9 - 0908 - 000		1	SCREW,RS,M4X8	
54	XF9 - 0502 - 000		1	BELT, TIMING	
501	XB1 - 2300 - 409		2	SCREW,MACH.,TRUSS HEAD,M3X4	
502	XB1 - 2400 - 609		11	SCREW,MACH.,TRUSS HEAD,M4X6	
503	XD2 - 1100 - 322		3	RING,E	

FIGURE & KEY NO.	PART NUMBER	R A N K	Q' T Y	DESCRIPTION	SERIAL NUMBER / REMARKS
315 - 504	XD2 - 1100 - 322		1	RING,E	
505	XD2 - 1100 - 502		11	RING,E	
506	XD3 - 1200 - 102		1	PIN,SPRING	
507	XD3 - 1200 - 122		2	PIN,SPRING	
508	XD3 - 2200 - 082		1	PIN,DOWEL	
509	XD3 - 2200 - 102		3	PIN,DOWEL	
510	XD3 - 2200 - 122		1	PIN,DOWEL	

FIGURE 316 MULTI FEED TRAY ASSEMBLY

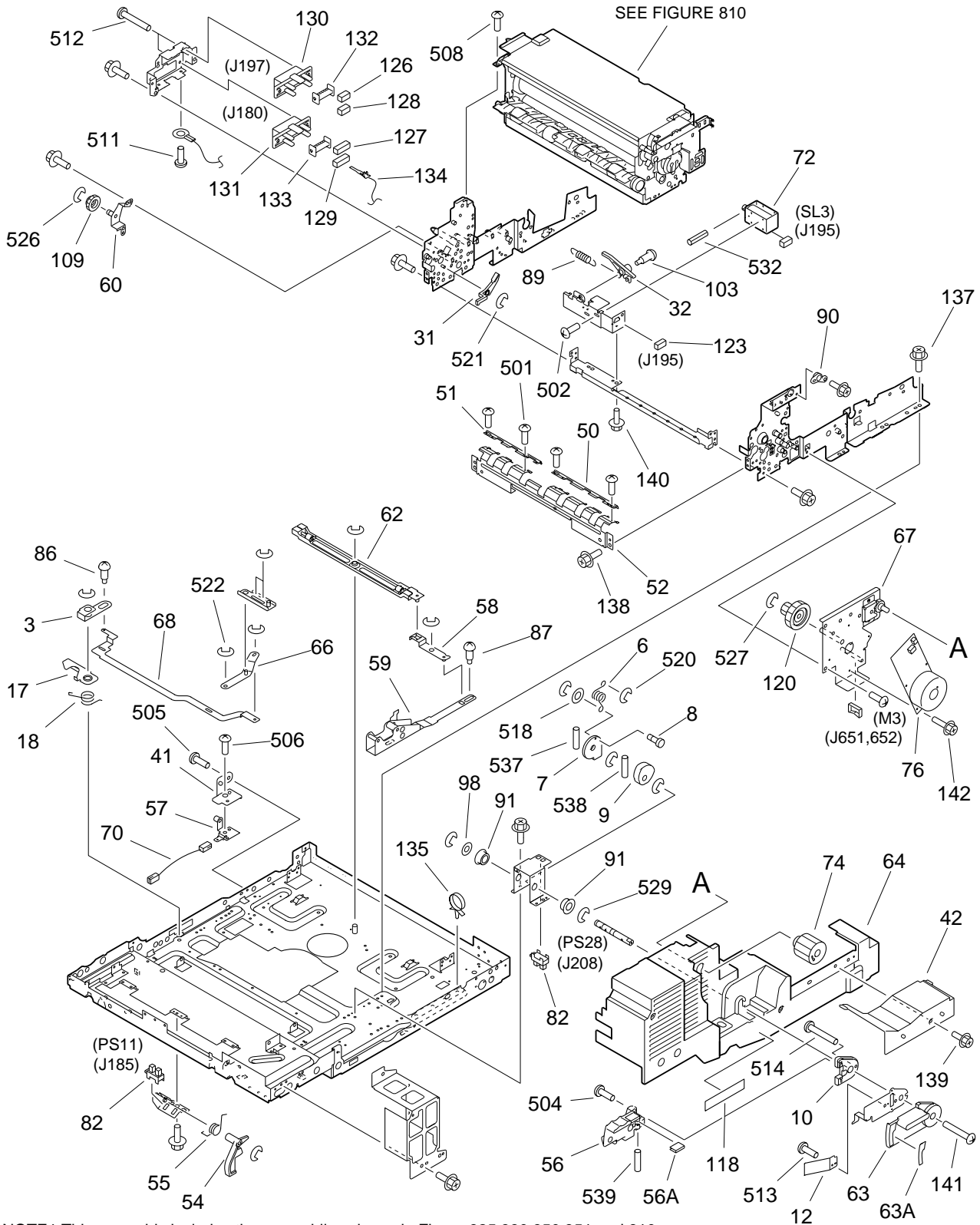


NOTE1: This assembly is included in the assembly shown in Figure 315.

NOTE2: This assembly does not include the part shown with key No.13.

FIGURE & KEY NO.	PART NUMBER	RANK	QTY	DESCRIPTION	SERIAL NUMBER / REMARKS
316 -	FG6 - 9114 - 000		1	MULTI FEED TRAY ASSEMBLY	SEE NOTE 1
1	FA9 - 3857 - 000		1	SHEET, SEPARATION	
2	FB1 - 8619 - 000		2	RACK	
3	FB1 - 8620 - 000		1	RING, PULLEY	
4	FB1 - 8621 - 000		1	PLATE, LOCK	
5	FB1 - 8625 - 000		1	GEAR, 18T	
6	FB2 - 7521 - 000		1	BASE, TRAY	
7	FB2 - 7740 - 020		2	SHEET, SEPARATION	
8	FB4 - 3774 - 000		1	PANEL, SIDE LIMIT, FRONT	
9	FB6 - 2887 - 000		1	SUPPORT, MULTI PAD	
10	FF5 - 8140 - 000		1	PANEL, SIDE LIMIT, REAR	
10 A	FS6 - 8709 - 000		1	LABEL, "LIMIT, PAPER HEIGHT"	
11	FG5 - 1958 - 000		1	MULTI VR PCB ASSEMBLY	SVR1 J225
12	FS5 - 3177 - 000		1	PULLEY, IDLER	
13	FS7 - 8289 - 000		1	LABEL, SIZE	AB SIZE SEE NOTE 2
	FS6 - 8706 - 000		1	LABEL, PAPER SIZE	A/INCH SIZE SEE NOTE 2
	FS6 - 8707 - 000		1	LABEL, PAPER SIZE	A SIZE SEE NOTE 2
	FS6 - 8708 - 000		1	LABEL, PAPER SIZE	AB/INCH SIZE SEE NOTE 2
14	RA1 - 7807 - 000		2	LOCK, MP	
15	VS1 - 5057 - 003		1	CONNECTOR, SNAP TIGHT	J225
16	XF9 - 0393 - 000		1	BELT, TIMING	
17	XZ9 - 0407 - 000		2	LATCH, MAGNET	
501	XB1 - 2400 - 606		2	SCREW, MACH., TRUSS HEAD, M4X6	
502	XB4 - 7300 - 609		3	SCREW, TAPPING, TRUSS HEAD, M3X6	

FIGURE 320 FIXING/FEEDEE FRAME ASSEMBLY(1/3)



NOTE1: This assembly includes the assemblies shown in Figure 325, 330, 350, 351 and 810.
 NOTE2: This assembly does not include the parts shown with key No. 42, 64, 118, and 139

FIGURE 320 FIXING/FEEDER FRAME ASSEMBLY(2/3)

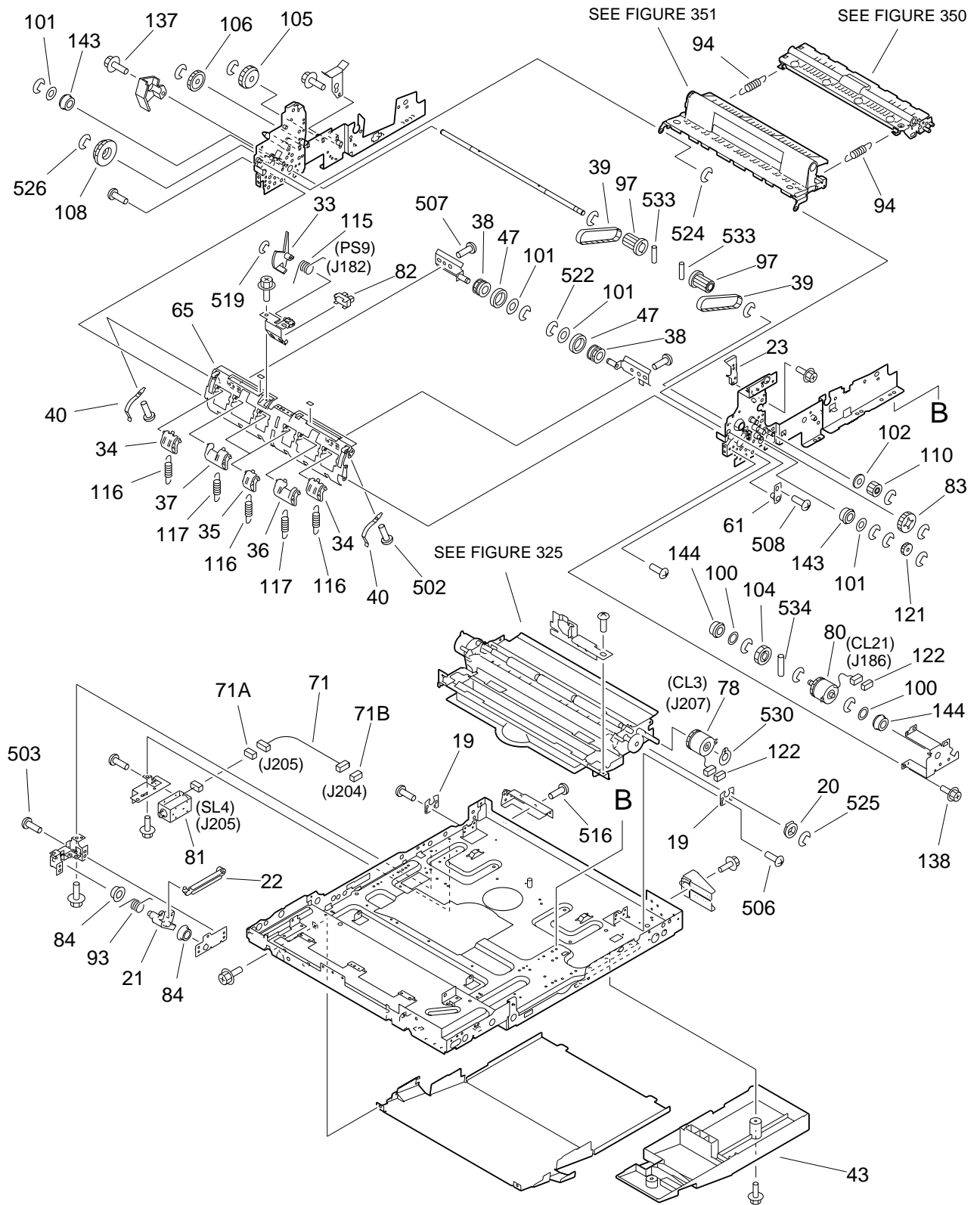


FIGURE 320 FIXING/FEEDEE FRAME ASSEMBLY(3/3)

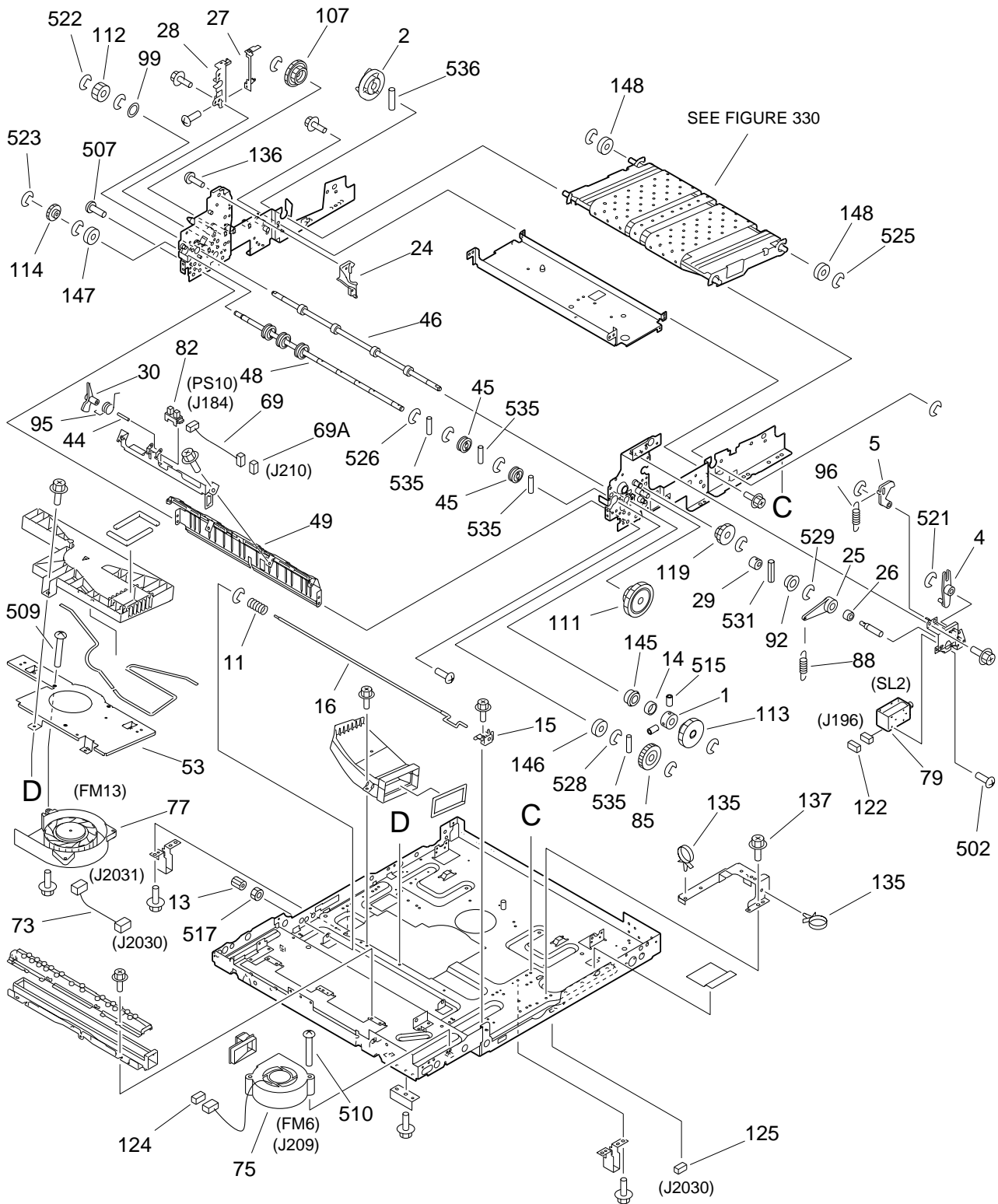


FIGURE & KEY NO.	PART NUMBER	R A N K	Q' T Y	DESCRIPTION	SERIAL NUMBER / REMARKS
320 - 1 2	FG6 - 8006 - 000		1	FIXING/FEEDER FRAME ASSEMBLY	200V SEE NOTE 1
	FG6 - 8588 - 000		1	FIXING/FEEDER FRAME ASSEMBLY	208V SEE NOTE 1
	FG6 - 8584 - 000		1	FIXING/FEEDER FRAME ASSEMBLY	220/240V SEE NOTE 1
	FA2 - 1753 - 000		1	COLLAR	
	FB2 - 1035 - 000		1	COUPLING, DRIVE	
3	FB2 - 7056 - 000		1	PLATE, JOINT	
4	FB2 - 7242 - 000		1	ARM, SOLENOID, 1	
5	FB2 - 7243 - 000		1	ARM, SOLENOID, 2	
6	FB2 - 8192 - 000		1	SPRING, TORSION	
7	FB2 - 8196 - 020		1	PLATE, HANDLE STOP	
8	FB2 - 8198 - 000		1	SHAFT, SPRING	
9	FB2 - 8204 - 000		1	CAM, REGISTRATION	
10	FB2 - 8213 - 000		1	COVER, HANDLE, REAR	
11	FB2 - 8214 - 000		1	SPRING, COMPRESSION	
12	FB2 - 8217 - 020		1	SPRING, LEAF	
13	FB2 - 8376 - 000		1	GUIDE, SHAFT	
14	FB3 - 2331 - 000		1	SPACER	
15	FB3 - 8398 - 000		1	GUIDE, HANDLE	
16	FB3 - 8457 - 000		1	SHAFT, HANDLE LOCK	
17	FB4 - 2061 - 000		1	PLATE, LATCH	
18	FB4 - 2062 - 000		1	SPRING, TORSION	
19	FB4 - 2067 - 000		2	PLATE, REGISTRATION ADJUSTING	
20	FB4 - 2068 - 000		1	BUSHING	
21	FB4 - 2077 - 000		1	HOOK, LOCK	
22	FB4 - 2078 - 000		1	ARM, LOCK	
23	FB4 - 2224 - 000		1	GUIDE, CLAW, FRONT 2	
24	FB4 - 2225 - 000		1	GUIDE, CLAW, REAR	
25	FB4 - 2235 - 000		1	CAM, ONE-WAY, 1	
26	FB4 - 2236 - 000		1	CAM, ONE-WAY, 2	
27	FB4 - 2237 - 000		1	TERMINAL, FIXING BIAS	

FIGURE & KEY NO.	PART NUMBER	RANK	QTY	DESCRIPTION	SERIAL NUMBER / REMARKS
320 - 28	FB4 - 2238 - 000		1	MOUNT, FIXING BIAS	
29	FB4 - 2254 - 000		1	CAM, RECIPROCATING INPUT	
30	FB4 - 2297 - 000		1	LEVER, DELIVERY SENSOR, 2	
31	FB4 - 2299 - 000		1	LEVER, DEFLECTOR, 1	
32	FB4 - 2300 - 000		1	LEVER, DEFLECTOR, 2	
33	FB4 - 2303 - 000		1	LEVER, DELIVERY SENSOR	
34	FB4 - 2305 - 020		2	DEFLECTOR, 1	
35	FB4 - 2306 - 020		2	DEFLECTOR, 2	
36	FB4 - 2307 - 020		1	DEFLECTOR, 3	
37	FB4 - 2308 - 020		1	DEFLECTOR, 4	
38	FB4 - 2312 - 000		2	ROLLER, DELIVERY AUXILIARY	
39	FB4 - 2314 - 000		2	BELT, TIMING	
40	FB4 - 2317 - 000		2	SPRING, LEAF	
41	FB4 - 2327 - 000		1	TERMINAL, BIAS	
42	FB4 - 7878 - 000		1	COVER, TRANSFER	SEE NOTE 2
43	FB4 - 9797 - 020		1	COVER, FIXING/FEEDER, LOWER	
44	FB5 - 0539 - 000		1	SHAFT, SENSOR	
45	FB5 - 3407 - 000		6	ROLLER, DELIVERY, OUTER	
46	FB5 - 7075 - 000		1	SHAFT, DELIVERY	
47	FB5 - 7076 - 000		2	ROLLER, REVERSE AUXILIARY	
48	FB5 - 7655 - 000		1	SHAFT, EXTERNAL DELIVERY	
49	FB5 - 7656 - 000		1	GUIDE, DELIVERY REVERSE	
50	FB5 - 7671 - 000		1	GUIDE, PAPER PASS, 1	
51	FB5 - 7672 - 000		1	GUIDE, PAPER PASS, 2	
52	FB5 - 7673 - 000		1	GUIDE, STOP	
53	FB6 - 0480 - 000		1	COVER, SEPARATION DUCT	
54	FB6 - 2373 - 000		1	FLAG, SENSOR	
55	FB6 - 2376 - 000		1	SPRING, TORSION	
56	FF5 - 6000 - 000		1	LEVER	
56 A	FS6 - 8386 - 000		1	LABEL, HANDLE, 2	

FIGURE & KEY NO.	PART NUMBER	RANK	QTY	DESCRIPTION	SERIAL NUMBER / REMARKS
320 - 57	FF5 - 7845 - 000		1	TERMINAL, BIAS	
58	FF5 - 7846 - 000		1	LINK, ROTATING	
59	FF5 - 7850 - 000		1	LINK, SLIDE	
60	FF5 - 7880 - 000		1	SUPPORT, IDLER SHAFT, 4	
61	FF5 - 7881 - 000		1	SUPPORT, DELIVERY SHAFT	
62	FF5 - 7944 - 000		1	CROSSMEMBER, REGIST. PRESSURE	
63	FF5 - 8196 - 000		1	HANDLE, FIXING/FEEDER	
63 A	FS6 - 8387 - 000		1	LABEL, HANDLE, 1	
64	FF5 - 8654 - 040		1	COVER, FIXING/FEEDER	SEE NOTE 2
65	FF5 - 8736 - 000		1	GUIDE, DELIVERY, LOWER, 2	
66	FF5 - 8787 - 000		1	LINK, LATCH RELEASE, 1	
67	FF6 - 1017 - 000		1	MOTOR GEAR UNIT	
68	FF6 - 1509 - 000		1	LINK, LOCK RELEASE	
69	FG6 - 1871 - 000		1	CABLE, EXT. DELIVERY SENSOR	J184,210
69 A	VS1 - 5057 - 003		1	CONNECTOR, SNAP TIGHT	J210
70	FG6 - 1876 - 000		1	CABLE, FIXING HIGH-VOLTAGE	
71	FG6 - 1879 - 000		1	CABLE, LOCK SOLENOID	J204,205
71 A	VS1 - 5057 - 003		1	CONNECTOR, SNAP TIGHT	J205
71 B	VS1 - 5057 - 004		1	CONNECTOR, SNAP TIGHT	J204
72	FG6 - 5397 - 000		1	SOLENOID UNIT, 1	SL3 J195
73	FG6 - 8621 - 000		1	CABLE, SEPARATION FAN	J2030,2031
74	FG6 - 8738 - 000		1	FIXING KNOB UNIT	
75	FH6 - 1548 - 000		1	FAN, COOLING	FM6 J209
76	FH6 - 1937 - 000		1	MOTOR, BRUSHLESS	M3 J651,652
77	FH6 - 1942 - 000		1	FAN, COOLING	FM13 J2031
78	FH6 - 5014 - 000		1	CLUTCH, ELECTROMAGNETIC	CL3 J207
79	FH7 - 5836 - 000		1	SOLENOID	SL2 J196
80	FH7 - 5844 - 000		1	CLUTCH, ELECTROMAGNETIC	CL21 J186
81	FH7 - 5845 - 000		1	SOLENOID	SL4 J205
82	FH7 - 7462 - 000		4	PHOTO-INTERRUPTER	PS9-11,28 J182,184,185,208

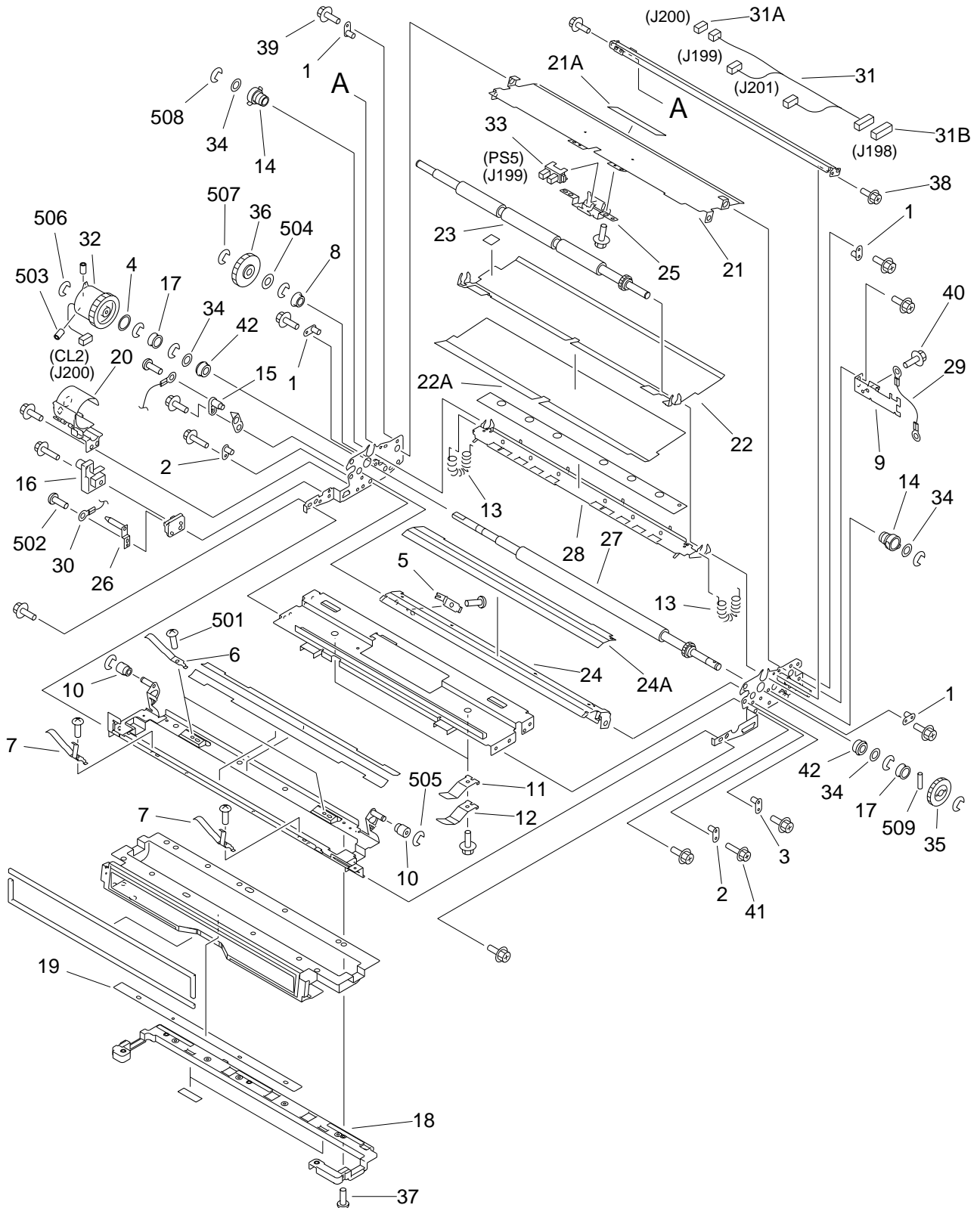
FIGURE & KEY NO.	PART NUMBER	RANK	QTY	DESCRIPTION	SERIAL NUMBER / REMARKS
320 - 83	FS1 - 0542 - 000		1	GEAR, 22T	
84	FS1 - 1508 - 000		2	BUSHING	
85	FS2 - 0441 - 000		1	GEAR, 28T	
86	FS2 - 9001 - 000		1	SCREW, STEPPED, M4	
87	FS2 - 9267 - 000		2	SCREW, STEPPED, M4	
88	FS3 - 2159 - 000		1	SPRING, TENSION	
89	FS4 - 2048 - 000		1	SPRING, TENSION	
90	FS5 - 1467 - 020		1	BUSHING, 3	
91	FS5 - 1474 - 000		2	BUSHING	
92	FS5 - 1803 - 000		1	BUSHING	
93	FS5 - 2907 - 020		1	SPRING, TORSION	
94	FS5 - 2947 - 000		2	SPRING, TENSION	
95	FS5 - 2949 - 000		1	SPRING, TORSION	
96	FS5 - 2967 - 000		1	SPRING, TENSION	
97	FS5 - 3615 - 000		2	PULLEY, 18T	
98	FS5 - 6329 - 000		1	SHIM, HANDLE	
99	FS5 - 6487 - 000		1	SHIM	
100	FS5 - 6487 - 000		2	SHIM	
101	FS5 - 6488 - 000		4	WASHER	
102	FS5 - 6575 - 000		1	ROLLER, BACKLASH	
103	FS5 - 9210 - 000		1	SCREW, STEPPED, M4	
104	FS6 - 0081 - 000		1	GEAR, 20T	
105	FS6 - 0899 - 000		1	GEAR, 38T	
106	FS6 - 0991 - 000		1	GEAR, 37T	
107	FS6 - 0992 - 000		1	GEAR, 28T/45T	
108	FS6 - 0993 - 000		1	GEAR, 39T/46T	
109	FS6 - 0994 - 000		1	GEAR, 16T/26T	
110	FS6 - 0995 - 000		1	GEAR, 21T	
111	FS6 - 0996 - 000		1	GEAR, 20T/38T	
112	FS6 - 0997 - 000		1	GEAR, 18T	

FIGURE & KEY NO.	PART NUMBER	RANK	QTY	DESCRIPTION	SERIAL NUMBER / REMARKS
320 - 113	FS6 - 0998 - 000		1	GEAR, 15T/32T	
114	FS6 - 0999 - 000		1	GEAR, 30T	
115	FS6 - 2833 - 000		1	SPRING, TORSION	
116	FS6 - 2982 - 000		4	SPRING, TENSION	
117	FS6 - 2993 - 020		2	SPRING, TENSION	
118	FS6 - 8703 - 000		1	LABEL, FIXING UNIT NUMBER	SEE NOTE 2
119	FS7 - 0002 - 000		1	GEAR, 22T	
120	FS7 - 0006 - 000		1	GEAR, 25T/75T	
121	FS7 - 0899 - 000		1	GEAR, 20T	
122	VS1 - 5057 - 002		3	CONNECTOR, SNAP TIGHT	J186,196,207
123	VS1 - 5057 - 002		1	CONNECTOR, SNAP TIGHT	J195
124	VS1 - 5057 - 003		1	CONNECTOR, SNAP TIGHT	J209
125	VS1 - 5057 - 003		1	CONNECTOR, SNAP TIGHT	J2030
126	VS1 - 6313 - 013		1	CONNECTOR, 13P, FEMALE	J197
127	VS1 - 6313 - 020		1	CONNECTOR, 20P, FEMALE	J180
128	VS1 - 6314 - 013		1	CONNECTOR, 13P, FEMALE	J197
129	VS1 - 6314 - 020		1	CONNECTOR, 20P, FEMALE	J180
130	VS1 - 6327 - 026		1	CONNECTOR, 26P, FEMALE	J197
131	VS1 - 6327 - 040		1	CONNECTOR, 40P, FEMALE	J180
132	VT2 - 5161 - 026		1	HOLDER, CONNECTOR, 26P	J197
133	VT2 - 5161 - 040		1	HOLDER, CONNECTOR, 40P	J180
134	WS3 - 5609 - 000		2	SOCKET CONTACT, 12-14AWG	J180
135	WT2 - 5565 - 000		6	CLAMP, CABLE	
136	XA9 - 0605 - 000		13	SCREW,M4X8	
137	XA9 - 0628 - 000		54	SCREW,RS,M4X8	
138	XA9 - 0628 - 000		11	SCREW,RS,M4X8	
139	XA9 - 0643 - 000		3	SCREW,RS,M4X10	SEE NOTE 2
140	XA9 - 0908 - 000		2	SCREW,RS,M4X8	
141	XA9 - 0940 - 000		1	SCREW,W/WASHER,M4X12	
142	XA9 - 1030 - 000		4	SCREW, RS, M4X12	

FIGURE & KEY NO.	PART NUMBER	RANK	QTY	DESCRIPTION	SERIAL NUMBER / REMARKS
320 - 143	XG3 - 6012 - 405		2	BEARING, BALL	
144	XG9 - 0211 - 000		2	BALL BEARING, MF128ZZ1MC3D4M	
145	XG9 - 0211 - 000		2	BALL BEARING, MF128ZZ1MC3D4M	
146	XG9 - 0250 - 000		1	BEARING, BALL	
147	XG9 - 0250 - 000		1	BEARING, BALL	
148	XG9 - 0250 - 000		2	BEARING, BALL	
501	XB1 - 2260 - 407		4	SCREW,MACH.,TRUSS HEAD,M2.6X4	
502	XB1 - 2300 - 407		8	SCREW,MACH.,TRUSS HEAD,M3X4	
503	XB1 - 2300 - 609		1	SCREW,MACH.,TRUSS HEAD,M3X6	
504	XB1 - 2300 - 809		2	SCREW,MACH.,TRUSS HEAD,M3X8	
505	XB1 - 2400 - 407		1	SCREW,MACH.,TRUSS HEAD,M4X4	
506	XB1 - 2400 - 409		4	SCREW,MACH.,TRUSS HEAD,M4X4	
507	XB1 - 2400 - 609		46	SCREW,MACH.,TRUSS HEAD,M4X6	
508	XB1 - 2400 - 609		5	SCREW,MACH.,TRUSS HEAD,M4X6	
509	XB1 - 2401 - 409		3	SCREW,MACH.,TRUSS HEAD,M4X14	
510	XB1 - 2404 - 009		2	SCREW,MACH.,TRUSS HEAD,M4X40	
511	XB2 - 7400 - 806		1	SCREW,W/WASHER,M4X8	
512	XB2 - 8401 - 009		4	SCREW,W/WASHER,M4X10	
513	XB4 - 7300 - 809		2	SCREW,TAPPING,TRUSS HEAD,M3X8	
514	XB4 - 7301 - 609		1	SCREW,TAPPING,TRUSS HEAD,M3X16	
515	XB6 - 2400 - 509		2	SETSCREW,M4X5	
516	XB6 - 7400 - 609		3	SCREW,TP,M4X6	
517	XB7 - 2100 - 309		1	NUT,HEX,M3	
518	XD1 - 1103 - 137		1	SHIM	
519	XD2 - 1100 - 172		1	RING,E	
520	XD2 - 1100 - 242		2	RING,E	
521	XD2 - 1100 - 322		5	RING,E	
522	XD2 - 1100 - 502		15	RING,E	
523	XD2 - 1100 - 502		1	RING,E	
524	XD2 - 1100 - 602		1	RING,E	

FIGURE & KEY NO.	PART NUMBER	RANK	QTY	DESCRIPTION	SERIAL NUMBER / REMARKS
320 - 525	XD2 - 1100 - 642		8	RING,E	
526	XD2 - 1100 - 642		35	RING,E	
527	XD2 - 1100 - 642		1	RING,E	
528	XD2 - 1100 - 642		4	RING,E	
529	XD2 - 1100 - 802		15	RING,E	
530	XD2 - 2100 - 802		1	RING,GRIP	
531	XD3 - 1200 - 102		1	PIN,SPRING	
532	XD3 - 1300 - 082		1	PIN,SPRING	
533	XD3 - 2200 - 102		3	PIN,DOWEL	
534	XD3 - 2200 - 122		1	PIN,DOWEL	
535	XD3 - 2200 - 142		7	PIN,DOWEL	
536	XD3 - 2200 - 162		1	PIN,DOWEL	
537	XD3 - 2200 - 202		1	PIN,DOWEL	
538	XD3 - 2300 - 202		1	PIN,DOWEL	
539	XD3 - 2300 - 322		1	PIN,DOWEL	

FIGURE 325 REGISTRATION/TRANSFER ASSEMBLY

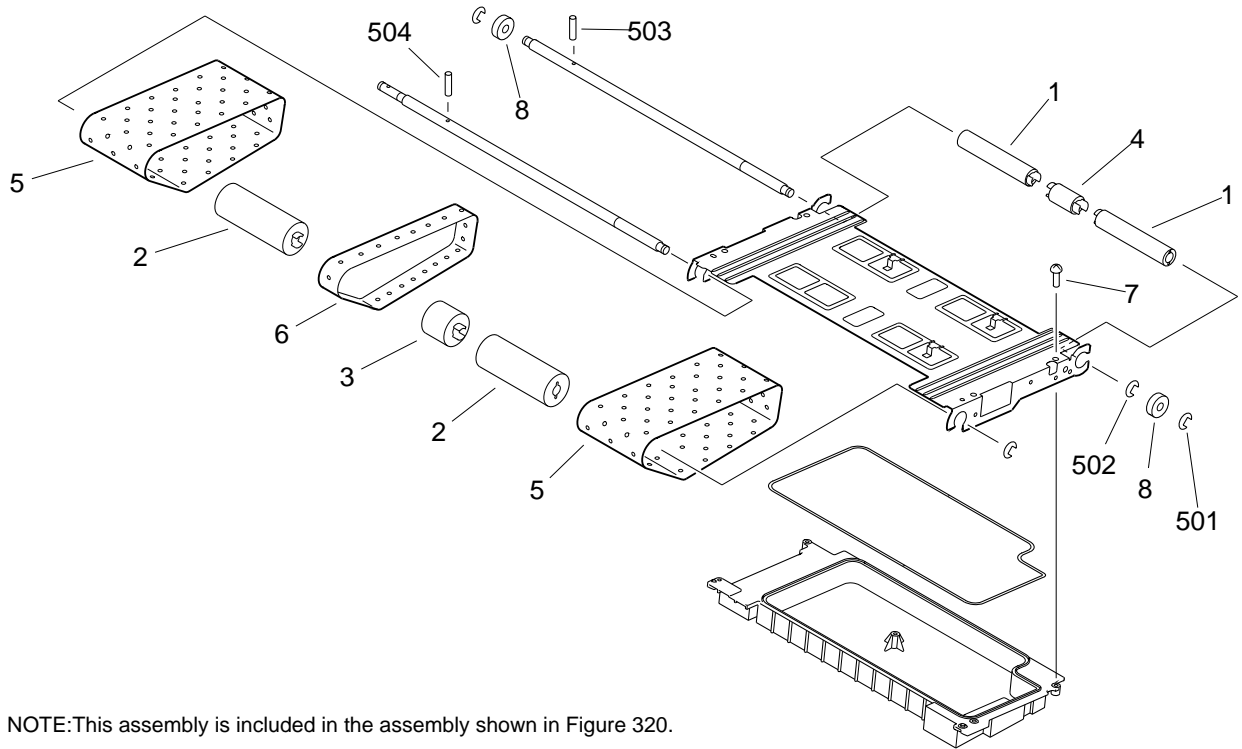


NOTE: This assembly is included in the assembly shown in Figure 320.

FIGURE & KEY NO.	PART NUMBER	RANK	QTY	DESCRIPTION	SERIAL NUMBER / REMARKS
325 -	FG6 - 8032 - 000		1	REGISTRATION/TRANSFER ASSEMBLY	SEE NOTE
1	FA3 - 9120 - 000		4	PIN, GUIDE	
2	FA4 - 1149 - 000		2	PIN, PLATE	
3	FA5 - 2839 - 000		1	PLATE, PIN	
4	FB2 - 6285 - 000		1	SHIM	
5	FB4 - 1670 - 000		1	TERMINAL, LOWER GUIDE	
6	FB4 - 1679 - 000		2	SPRING, LEAF	
7	FB4 - 1719 - 000		2	SPRING, LEAF	
8	FB4 - 2068 - 000		1	BUSHING	
9	FB4 - 2322 - 020		1	PLATE, STOP	
10	FB4 - 3850 - 000		2	COLLAR, POSITIONING	
11	FB4 - 3851 - 000		2	SPRING, LEAF	
12	FB4 - 3852 - 000		2	SPRING, LEAF	
13	FB4 - 3858 - 000		2	SPRING, TENSION	
14	FB4 - 3860 - 000		2	BUSHING	
15	FB4 - 9033 - 000		1	PLATE, PIN	
16	FB4 - 9515 - 000		1	COVER, TERMINAL	
17	FB5 - 7676 - 000		2	COLLAR, REGISTRATION, LOWER	
18	FB6 - 0473 - 000		1	RETAINER, DUCT, 1	
19	FB6 - 0474 - 000		1	RETAINER, DUCT, 2	
20	FB6 - 2372 - 000		1	COVER, REGISTRATION CLUTCH	
21	FF5 - 7872 - 000		1	GUIDE, REGISTRATION, LOWER	
21 A	FB4 - 3853 - 000		1	SHEET, PROTECTIVE	
22	FF5 - 7875 - 000		1	GUIDE, REGISTRATION, UPPER	
22 A	FB4 - 3857 - 000		1	SHEET, PROTECTIVE	
23	FF5 - 7877 - 000		1	ROLLER, REGISTRATION, UPPER	
24	FF5 - 7878 - 000		1	GUIDE, PRE-TRANSFER, LOWER	
24 A	FB4 - 1667 - 000		1	SHEET, PROTECTIVE	
25	FF5 - 8194 - 000		1	MOUNT, PAPER SENSOR	
26	FF5 - 8796 - 000		1	PIN, PAPER FEEDER	

FIGURE & KEY NO.	PART NUMBER	RANK	QTY	DESCRIPTION	SERIAL NUMBER / REMARKS
325 - 27	FF6 - 1049 - 000		1	ROLLER, REGISTRATION, LOWER	
28	FF6 - 1053 - 000		1	GUIDE, PRE-TRANSFER, UPPER	
29	FG6 - 1873 - 000		1	CABLE, GROUNDING	
30	FG6 - 1874 - 000		1	CABLE, FEEDER HIGH-VOLTAGE	
31	FG9 - 3955 - 000		1	CABLE, REGISTRATION	J198-201
31 A	VS1 - 5057 - 002		1	CONNECTOR, SNAP TIGHT	J200
31 B	VS1 - 5057 - 007		1	CONNECTOR, SNAP TIGHT	J198
32	FH6 - 5013 - 000		1	CLUTCH, ELECTROMAGNETIC	CL2 J200
33	FH7 - 7462 - 000		1	PHOTO-INTERRUPTER	PS5 J199
34	FS5 - 6487 - 000		4	SHIM	
35	FS6 - 0056 - 000		1	GEAR, 32T	
36	FS7 - 0901 - 000		1	GEAR, 38T	
37	XA9 - 0253 - 000		7	SCREW,MACH.,PAN HEAD, M3X8	
38	XA9 - 0626 - 000		2	SCREW,RS,M3X6	
39	XA9 - 0628 - 000		21	SCREW,RS,M4X8	
40	XA9 - 0633 - 000		1	SCREW,RS,M4X8	
41	XA9 - 1030 - 000		3	SCREW, RS, M4X12	
42	XG9 - 0472 - 000		2	BALL BEARING, MF128ZZ1MC3EECZZ	
501	XB1 - 2300 - 409		4	SCREW,MACH.,TRUSS HEAD,M3X4	
502	XB2 - 7300 - 607		5	SCREW,W/WASHER,M3X6	
503	XB6 - 2400 - 609		2	SETSCREW,M4X6	
504	XD1 - 1108 - 212		1	SHIM	
505	XD2 - 1100 - 322		2	RING,E	
506	XD2 - 1100 - 402		1	RING,E	
507	XD2 - 1100 - 502		1	RING,E	
508	XD2 - 1100 - 642		8	RING,E	
509	XD3 - 2200 - 142		1	PIN,DOWEL	

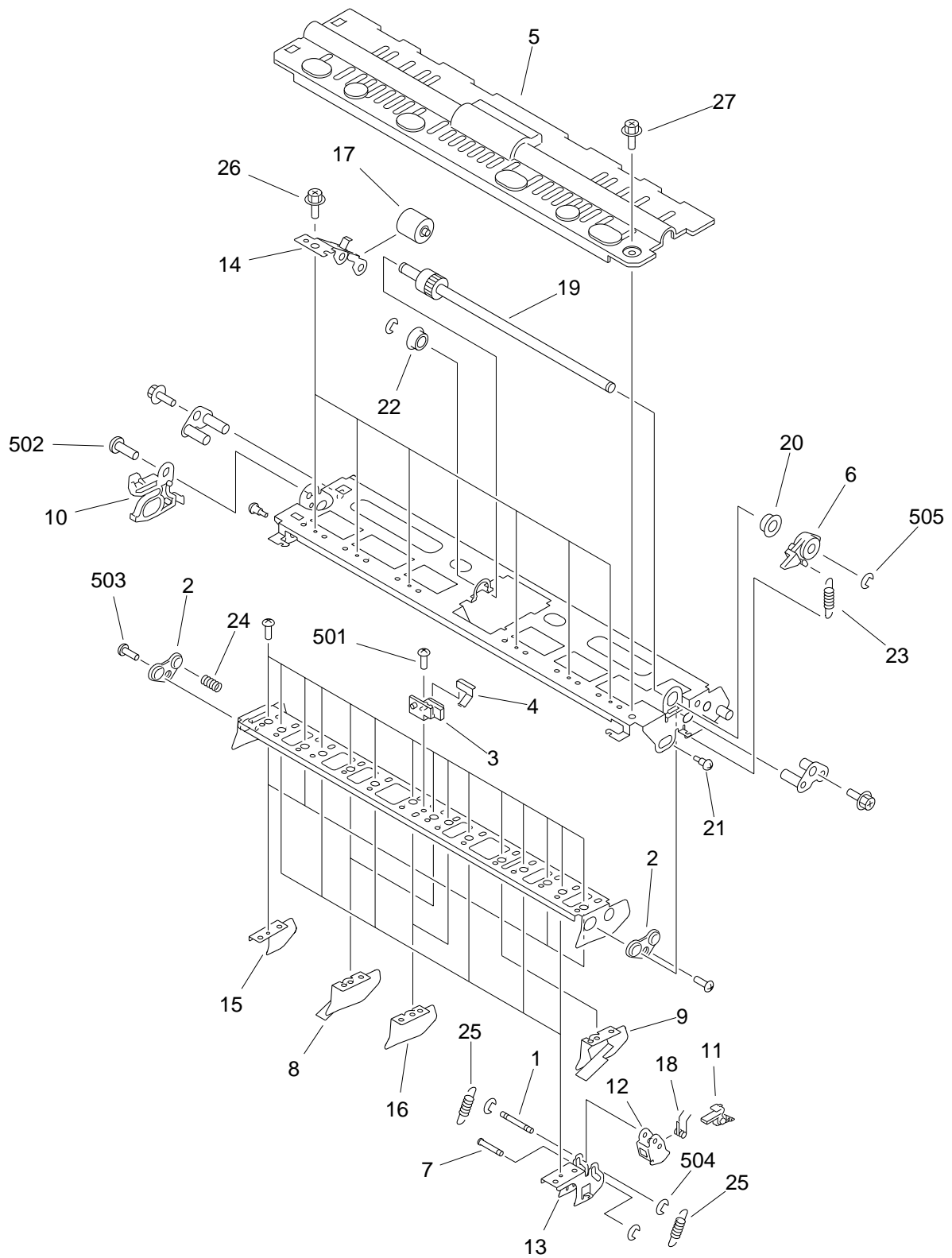
FIGURE 330 FEEDER ASSEMBLY



NOTE: This assembly is included in the assembly shown in Figure 320.

FIGURE & KEY NO.	PART NUMBER	RANK	QTY	DESCRIPTION	SERIAL NUMBER / REMARKS
330 -	FG6 - 8033 - 000		1	FEEDER ASSEMBLY	SEE NOTE
1	FB4 - 2088 - 000		2	ROLLER, IDLER	
2	FB4 - 2090 - 000		2	ROLLER, FEEDER BELT DRIVE	
3	FB4 - 2093 - 000		1	ROLLER, FEEDER BELT DRIVE	
4	FB4 - 2094 - 000		1	ROLLER, IDLER	
5	FB6 - 0484 - 000		2	BELT, PAPER FEED	
6	FB6 - 0485 - 000		1	BELT, PAPER FEED	
7	XA9 - 0605 - 000		5	SCREW, M4X8	
8	XG9 - 0250 - 000		2	BEARING, BALL	
501	XD2 - 1100 - 642		2	RING, E	
502	XD2 - 1100 - 802		2	RING, E	
503	XD3 - 2200 - 142		1	PIN, DOWEL	
504	XD3 - 2200 - 162		1	PIN, DOWEL	

FIGURE 350 INTERNAL DELIVERY UPPER ASSEMBLY

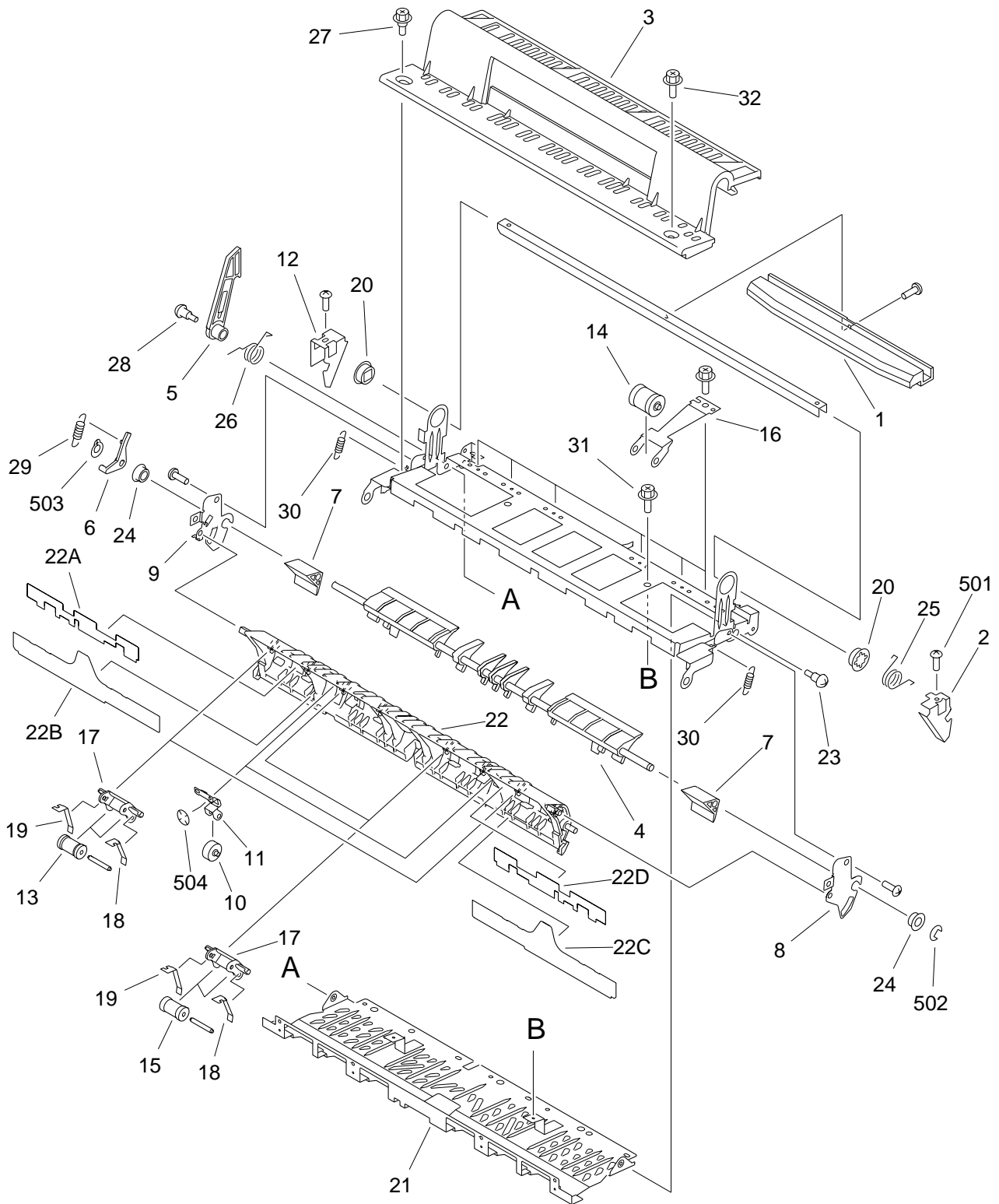


NOTE: This assembly is included in the assembly shown in Figure 320.

FIGURE & KEY NO.	PART NUMBER	RANK	QTY	DESCRIPTION	SERIAL NUMBER / REMARKS
350 -	FG6 - 8041 - 000		1	INTERNAL DELIVERY UPPER ASS'Y	SEE NOTE
1	FA3 - 2764 - 020		6	ROD 2, SEPARATION CLAW, UPPER	
2	FB2 - 7163 - 000		2	BUSHING	
3	FB2 - 7168 - 000		1	MOUNT, PIN	
4	FB2 - 7169 - 000		1	PLATE, RATCHET	
5	FB2 - 7174 - 040		1	COVER,INTERNAL DELIVERY,UPPER	
6	FB3 - 8369 - 000		1	LEVER, ONE-WAY	
7	FB3 - 8414 - 000		6	ROD 1, SEPARATION CLAW, UPPER	
8	FB4 - 2261 - 000		2	PLATE, UPPER GUIDE, 1	
9	FB4 - 2262 - 000		1	PLATE, UPPER GUIDE, 2	
10	FB4 - 2263 - 000		1	GUIDE, LOCK	
11	FB5 - 3625 - 000		6	CLAW, SEPARATING	
12	FB5 - 6974 - 000		6	MOUNT, CLAW, UPPER	
13	FB5 - 6976 - 000		6	SUPPORT, SEPARATION CLAW	
14	FB5 - 7666 - 000		6	HOLDER, FEEDER ROLLER	
15	FB5 - 7668 - 000		4	GUIDE, UPPER, 1	
16	FB5 - 8717 - 000		2	GUIDE, UPPER, 2	
17	FB5 - 8729 - 000		6	ROLLER, INSIDE DELIVERY	
18	FB6 - 0599 - 000		6	SPRING, TORSION	
19	FF5 - 5914 - 000		1	SHAFT, RECIPROCATION	
20	FS1 - 1401 - 000		1	BUSHING	
21	FS1 - 9199 - 000		2	SCREW,STEPPED,M4	
22	FS5 - 1372 - 000		1	BUSHING	
23	FS5 - 2946 - 000		1	SPRING, TENSION	
24	FS5 - 2953 - 020		1	SPRING, COMPRESSION	
25	FS7 - 2319 - 000		12	SPRING, TENSION	
26	XA9 - 0625 - 000		6	SCREW,RS,M3X4	
27	XA9 - 0628 - 000		3	SCREW,RS,M4X8	
501	XB1 - 2300 - 409		16	SCREW,MACH.,TRUSS HEAD,M3X4	
502	XB1 - 2400 - 609		1	SCREW,MACH.,TRUSS HEAD,M4X6	

FIGURE & KEY NO.	PART NUMBER	R A N K	Q' T Y	DESCRIPTION	SERIAL NUMBER / REMARKS
350 - 503	XB6 - 7300 - 609		2	SCREW,TP,M3X6	
504	XD2 - 1100 - 242		18	RING,E	
505	XD2 - 1100 - 502		2	RING,E	

FIGURE 351 EXTERNAL DELIVERY UPPER ASSEMBLY



NOTE1: This assembly is included in the assembly shown in Figure 320.
 NOTE2: This assembly does not include the parts shown with key No. 3, 27, and 32.

FIGURE & KEY NO.	PART NUMBER	RANK	QTY	DESCRIPTION	SERIAL NUMBER / REMARKS
351 -	FG6 - 7366 - 000		1	EXTERNAL DELIVERY UPPER ASS'Y	SEE NOTE 1
1	FB2 - 7137 - 000		1	HANDLE, FEEDER	
2	FB2 - 7181 - 000		1	PLATE, LOCK, FRONT	
3	FB4 - 2268 - 000		1	COVER,EXTERNAL DELIVERY,UPPER	SEE NOTE 2
4	FB4 - 2270 - 000		1	DEFLECTOR, 1	
5	FB4 - 2271 - 000		1	ARM, LOCK	
6	FB4 - 2272 - 000		1	ARM, DEFLECTOR	
7	FB4 - 2284 - 000		2	GUIDE, AUXILIARY, 1	
8	FB4 - 2288 - 000		1	SUPPORT, DEFLECTOR, FRONT	
9	FB4 - 2289 - 000		1	SUPPORT, DEFLECTOR, REAR	
10	FB4 - 2293 - 000		2	ROLLER, IDLER	
11	FB4 - 2294 - 000		2	HOLDER, ROLLER	
12	FB5 - 2508 - 000		1	PLATE, LOCK, REAR	
13	FB5 - 3395 - 000		4	ROLLER, CURL	
14	FB5 - 3410 - 000		6	ROLLER, EXTERNAL DELIVERY	
15	FB5 - 3421 - 000		4	ROLLER, CURL, 2	
16	FB5 - 7657 - 000		6	HOLDER, FEEDER ROLLER	
17	FB5 - 7662 - 000		4	HOLDER, ROLLER	
18	FB5 - 7663 - 000		4	SPRING, LEAF	
19	FB5 - 7664 - 000		4	SPRING, LEAF	
20	FC1 - 7438 - 000		2	BUSHING	
21	FF6 - 1029 - 000		1	GUIDE, EXTERNAL DELIVERY	
22	FF6 - 1046 - 000		1	GUIDE, FEEDER ROLLER	
22 A	FB5 - 7674 - 000		1	SHEET, PROTECTIVE	
22 B	FB5 - 7677 - 000		1	SHEET, PROTECTIVE	
22 C	FB5 - 7678 - 000		1	SHEET, PROTECTIVE	
22 D	FB5 - 8718 - 000		1	SHEET, PROTECTIVE	
23	FS1 - 9199 - 000		1	SCREW,STEPPED,M4	
24	FS5 - 1004 - 000		2	BUSHING, POLYACETAR	
25	FS5 - 2944 - 000		1	SPRING, TORSION	

FIGURE & KEY NO.	PART NUMBER	RANK	QTY	DESCRIPTION	SERIAL NUMBER / REMARKS
351 - 26	FS5 - 2982 - 000		1	SPRING, TORSION	SEE NOTE 2
27	FS5 - 9277 - 000		1	SCREW,RS STEPPED,M4	
28	FS5 - 9284 - 000		1	SCREW,STEPPED	
29	FS6 - 2885 - 000		1	SPRING, TENSION	
30	FS6 - 2886 - 000		2	SPRING, TENSION	
31	XA9 - 0626 - 000		8	SCREW,RS,M3X6	SEE NOTE 2
32	XA9 - 0628 - 000		1	SCREW,RS,M4X8	
501	XB1 - 2300 - 609		7	SCREW,MACH.,TRUSS HEAD,M3X6	
502	XD2 - 1100 - 402		1	RING,E	
503	XD2 - 2100 - 502		1	RING,GRIP	
504	XD2 - 2300 - 242		4	RING,TOOTHED LOCK	

FIGURE 360 DUPLEXING FEEDER ASSEMBLY(1/3)

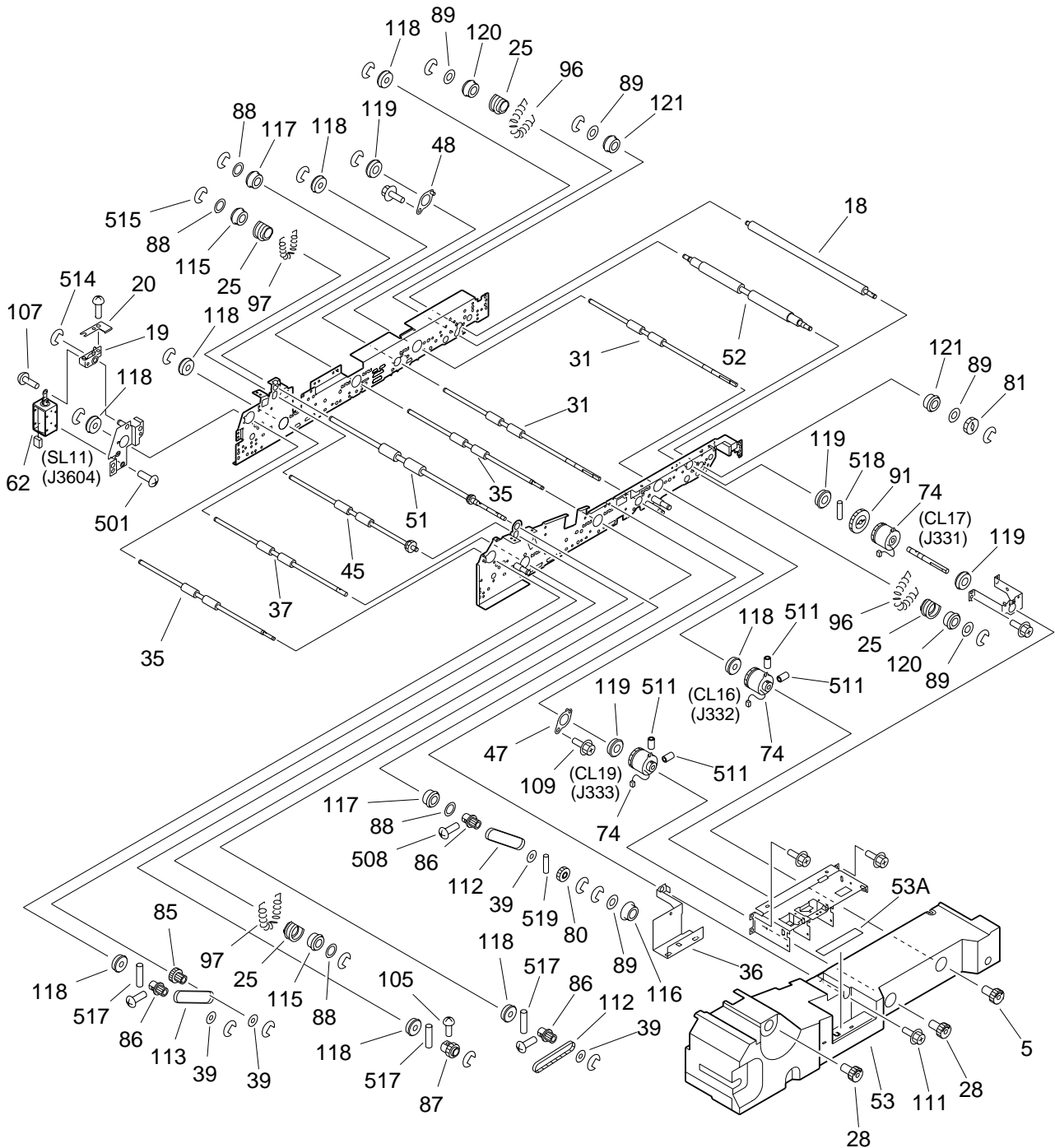


FIGURE 360 DUPLEXING FEEDER ASSEMBLY(2/3)

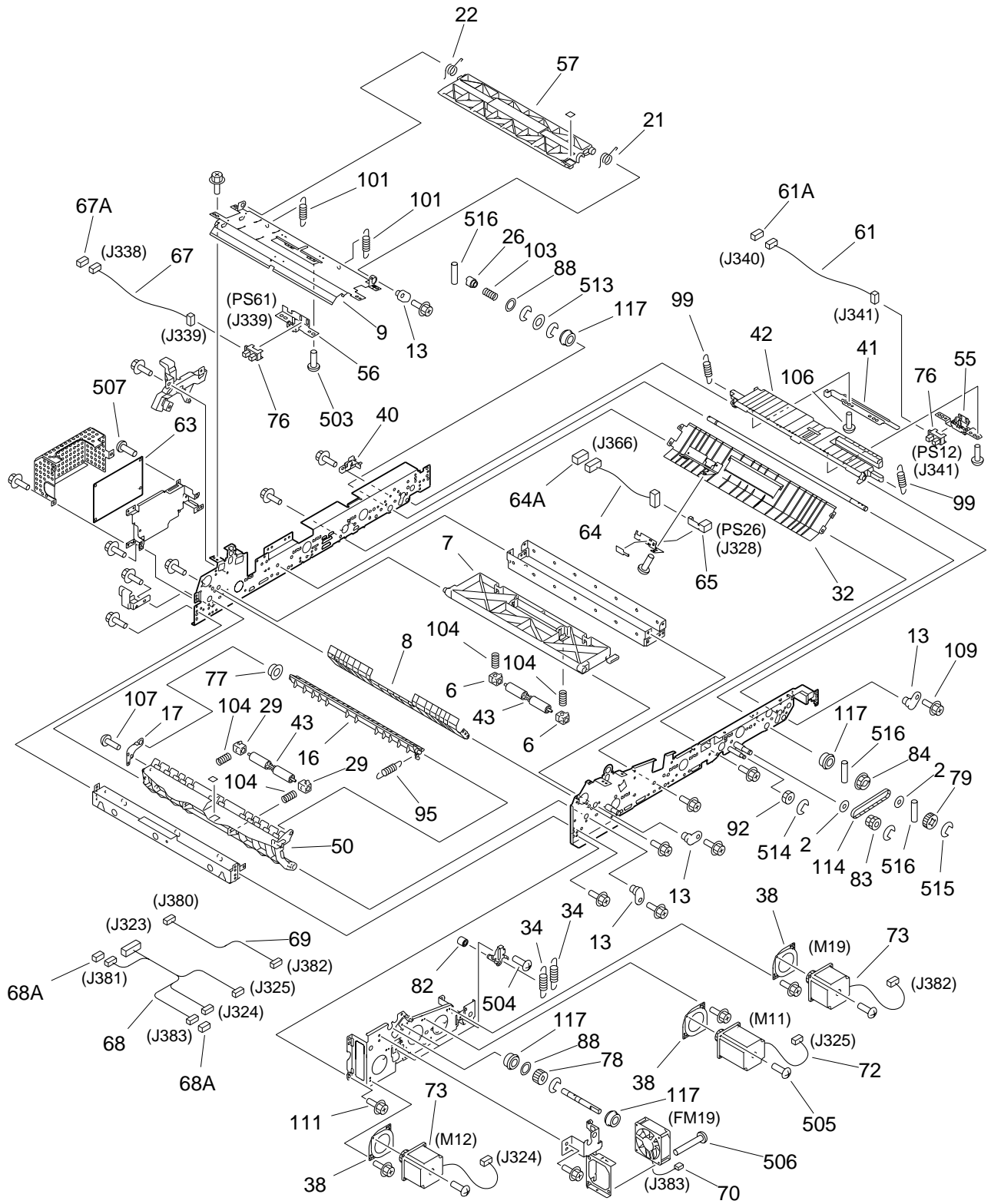


FIGURE & KEY NO.	PART NUMBER	RANK	QTY	DESCRIPTION	SERIAL NUMBER / REMARKS
360 -	FG6 - 8015 - 000		1	DUPLEXING FEEDER ASSEMBLY	
1	FA6 - 3672 - 000		1	PLATE, LOWER FEEDER SUPPORT	
2	FA6 - 7939 - 000		6	FLANGE, PULLEY, 2	
3	FA9 - 3822 - 000		1	LABEL, DISCRIMINATE	
4	FB1 - 7041 - 000		1	WIRE, RIGHT DOOR SUPPORTING	
5	FB2 - 2139 - 020		1	KNOB	
6	FB2 - 7755 - 000		2	BUSHING	
7	FB4 - 2106 - 000		1	GUIDE, REVERSE DELIVERY	
8	FB4 - 2113 - 000		1	GUIDE, REVERSING, LOWER	
9	FB4 - 2114 - 020		1	GUIDE, REVERSING, UPPER	
10	FB4 - 2121 - 000		1	PLATE, DECK PRESSURE	
11	FB4 - 2122 - 000		1	SHEET, FEEDER, LOWER	
12	FB4 - 2124 - 000		1	GUIDE, SIDE REGISTRATION SLIDE	
13	FB4 - 2131 - 000		5	GUIDE, HINGE	
14	FB4 - 2132 - 000		2	ROLLER, FEED	
15	FB4 - 2133 - 000		2	HOLDER, ROLLER	
16	FB4 - 2135 - 000		1	DEFLECTOR	
17	FB4 - 2136 - 000		1	SUPPORT, DEFLECTOR	
18	FB4 - 2145 - 000		1	ROLLER, STEEL	
19	FB4 - 2149 - 000		1	ARM, SOLENOID	
20	FB4 - 2151 - 000		1	PLATE, FLAPPER PRESSURE	
21	FB4 - 2152 - 000		1	SPRING, TORSION	
22	FB4 - 2153 - 000		1	SPRING, TORSION	
23	FB4 - 2155 - 000		1	SPRING, TORSION	
24	FB4 - 2156 - 000		1	SPRING, TORSION	
25	FB4 - 2159 - 000		4	HOLDER, BUSHING	
26	FB4 - 2164 - 000		1	COUPLING	
27	FB4 - 2325 - 000		2	BLOCK, GUIDE PRESSURE	
28	FB4 - 7481 - 000		1	KNOB, DUPLEXING FEEDER	
29	FB4 - 7486 - 000		10	BUSHING	

FIGURE & KEY NO.	PART NUMBER	RANK	QTY	DESCRIPTION	SERIAL NUMBER / REMARKS
360 - 30	FB4 - 9035 - 000		1	PLATE, RETAINER	
31	FB5 - 6925 - 000		2	ROLLER, FEEDER	
32	FB6 - 0525 - 000		1	GUIDE, LEFT DECK, UPPER	
33	FB6 - 0534 - 000		1	HOLDER, ROLLER	
34	FB6 - 0559 - 000		6	SPRING, TENSION	
35	FB6 - 0560 - 000		2	ROLLER, FEEDER	
36	FB6 - 0567 - 000		1	PLATE, GROUNDING	
37	FB6 - 0575 - 000		1	ROLLER, FEEDER	
38	FB6 - 0577 - 000		3	MOUNT, MOTOR	
39	FB6 - 0579 - 000		4	FLANGE, PULLEY	
40	FB6 - 0623 - 000		1	COVER, CABLE PROTECTIVE	
41	FB6 - 0624 - 000		1	COVER, GUIDE LOWER	
42	FB6 - 0625 - 000		1	GUIDE, DUPLEXING OUTLET	
43	FB6 - 2397 - 000		4	ROLLER	
44	FF5 - 7734 - 000		2	PLATE, LOCK	
45	FF5 - 7736 - 000		1	ROLLER, REVERSE, 1	
46	FF5 - 7737 - 020		2	PLATE, SENSOR SUPPORT	
47	FF5 - 7948 - 000		1	PLATE, POSITIONING, FRONT	
48	FF5 - 7949 - 000		1	PLATE, POSITIONING, REAR	
49	FF5 - 8200 - 000		1	GUIDE, LOWER FEEDER, UPPER	
50	FF5 - 8202 - 000		1	GUIDE, LEFT	
51	FF6 - 1519 - 000		1	ROLLER, REVERSE	
52	FF6 - 1520 - 000		1	ROLLER, SPONGE, DUPLEXING	
53	FF6 - 1521 - 000		1	FRONT COVER, DUPLEXING	
53 A	FS6 - 8704 - 000		1	LABEL, DUPLEXING UNIT NUMBER	
54	FF6 - 1536 - 000		1	GUIDE, LEFT DECK, LOWER	
55	FF6 - 1843 - 000		1	SUPPORT, FEEDER SENSOR	
56	FF6 - 1858 - 000		1	MOUNT, REVERSE SENSOR	
57	FF9 - 1910 - 000		1	GUIDE, REVERSING	
58	FG6 - 1839 - 000		1	CABLE, DUPLEXING FEEDER	J326,327,330-334

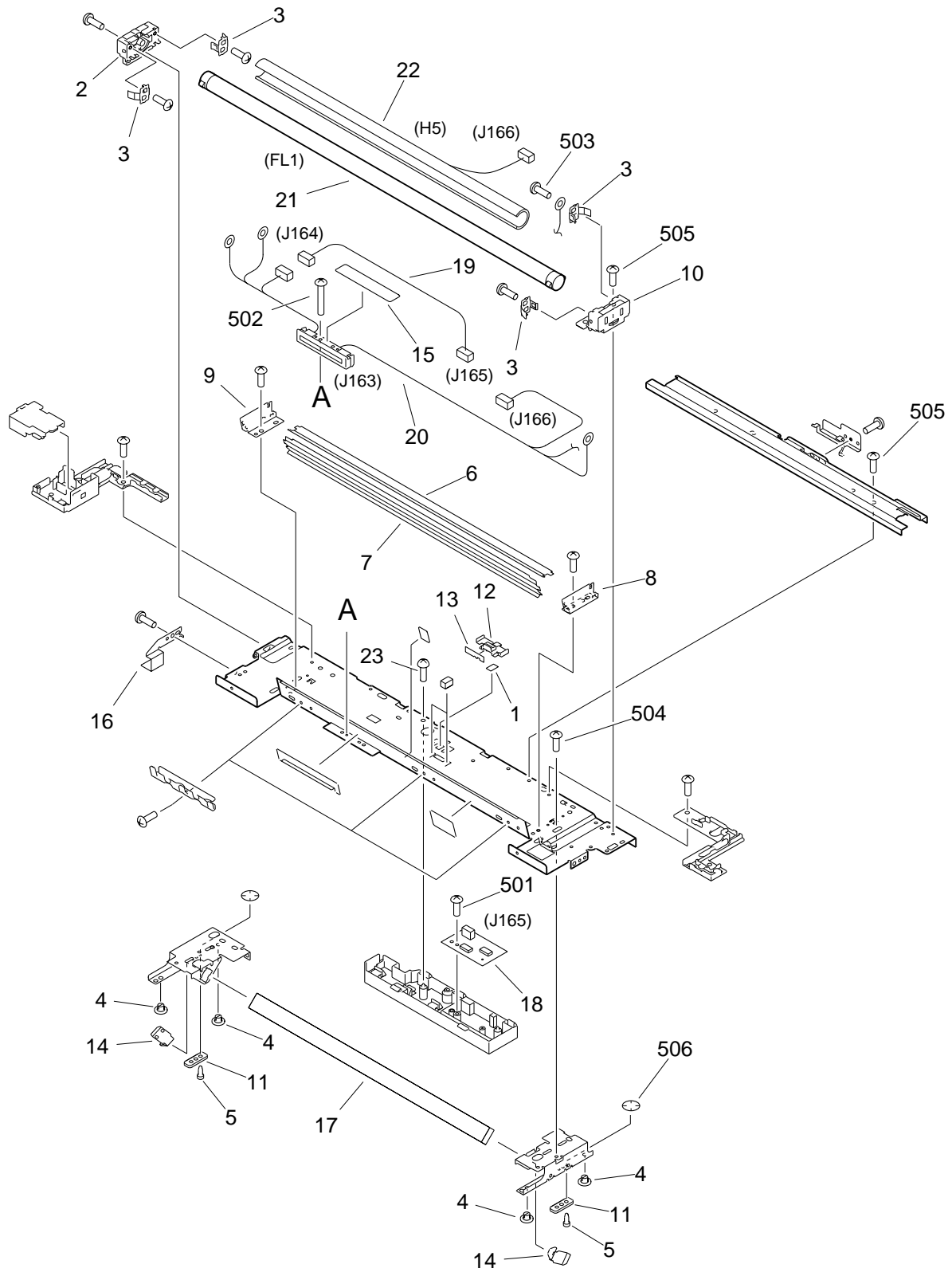
FIGURE & KEY NO.	PART NUMBER	RANK	QTY	DESCRIPTION	SERIAL NUMBER / REMARKS
360 - 58 A	VS1 - 5057 - 002		3	CONNECTOR, SNAP TIGHT	J331-333
58 B	VS1 - 5057 - 003		1	CONNECTOR, SNAP TIGHT	J334
58 C	VS1 - 5057 - 009		1	CONNECTOR, SNAP TIGHT	J330
58 D	VS1 - 6318 - 003		1	CONNECTOR, SNAP TIGHT	J326
59	FG6 - 1840 - 000		1	CABLE, CONFLUENT SENSOR	J336,337
59 A	VS1 - 5057 - 003		1	CONNECTOR, SNAP TIGHT	J336
60	FG6 - 1841 - 000		1	CABLE, REGIST SENSOR CONNECT	J334,335
61	FG6 - 1843 - 000		1	CABLE, REVERSING SENSOR	J340,341
61 A	VS1 - 5057 - 003		1	CONNECTOR, SNAP TIGHT	J340
62	FG6 - 5399 - 000		1	SOLENOID UNIT, 3	SL11 J3604
63	FG6 - 8585 - 000		1	THROUGH-PATH PCB ASSEMBLY	
64	FG6 - 8593 - 000		1	CABLE, DECK SENSOR CONNECTING	J328,366
64 A	VS1 - 6318 - 004		1	CONNECTOR, SNAP TIGHT	J366
65	FG6 - 8605 - 000		1	OPTICAL SENSOR PCB ASSEMBLY	PS26 J328
66	FG6 - 8616 - 000		1	CABLE, THROUGH-PATH DRAWER	J322,323,326,329,330 J336,338,340,366,380
66 A	VS1 - 5057 - 006		1	CONNECTOR, SNAP TIGHT	J381,3601-3603,3605 J3607-3609 J329
66 B	WT2 - 5565 - 000		5	CLAMP, CABLE	
67	FG6 - 8617 - 000		1	CABLE, OUTLET SENSOR CONNECT	J338,339
67 A	VS1 - 5057 - 003		1	CONNECTOR, SNAP TIGHT	J338
68	FG6 - 8618 - 000		1	CABLE, MOTOR CONNECTING	J323-325,381,383
68 A	VS1 - 5057 - 003		2	CONNECTOR, SNAP TIGHT	J381,383
69	FG6 - 8619 - 000		1	CABLE, MOTOR CONNECTING, 2	J380,382
70	FH6 - 1490 - 000		1	FAN, COOLING	FM19 J383
71	FH6 - 1542 - 000		1	MOTOR, STEPPING, DC, 2.9W	M15 J329
72	FH6 - 1939 - 000		1	MOTOR, STEPPING	M11 J325
73	FH6 - 1940 - 000		2	MOTOR, STEPPING	M12,19 J324,382
74	FH6 - 5014 - 000		3	CLUTCH, ELECTROMAGNETIC	CL16,17,19 J332,331,333
75	FH7 - 7196 - 020		1	PHOTO-INTERRUPTER	PS18 J335
76	FH7 - 7462 - 000		4	PHOTO-INTERRUPTER	PS12,14,15,61 J341,327,337,339

FIGURE & KEY NO.	PART NUMBER	RANK	QTY	DESCRIPTION	SERIAL NUMBER / REMARKS
360 - 77	FS1 - 1401 - 000		1	BUSHING	
78	FS5 - 0338 - 000		1	GEAR, 16T	
79	FS5 - 0514 - 000		1	GEAR, 20T	
80	FS5 - 0710 - 000		1	GEAR, 16T	
81	FS5 - 0714 - 000		1	GEAR, 20T	
82	FS5 - 3314 - 000		3	PULLEY, 14T	
83	FS5 - 3613 - 000		1	GEAR, 16T/24T	
84	FS5 - 3617 - 000		1	PULLEY, 30T	
85	FS5 - 3942 - 000		1	GEAR, 18T/16T	
86	FS5 - 3943 - 000		3	PULLEY, 18T	
87	FS5 - 3945 - 000		1	GEAR, 16T	
88	FS5 - 6487 - 000		7	SHIM	
89	FS5 - 6488 - 000		4	WASHER	
90	FS5 - 9221 - 000		1	SCREW,RS STEPPED,M3	
91	FS6 - 0070 - 000		1	GEAR, 40T	
92	FS6 - 0145 - 000		1	GEAR, 16T	
93	FS6 - 0557 - 000		1	GEAR, 12T/36T	
94	FS6 - 2769 - 000		4	SPRING, COMPRESSION	
95	FS6 - 2770 - 000		1	SPRING, TENSION	
96	FS6 - 2771 - 000		2	SPRING, TENSION	
97	FS6 - 2772 - 000		2	SPRING, TENSION	
98	FS6 - 2773 - 000		2	SPRING, COMPRESSION	
99	FS6 - 2777 - 000		2	SPRING, TENSION	
100	FS6 - 2830 - 000		1	SPRING, TENSION	
101	FS6 - 2831 - 000		2	SPRING, TENSION	
102	FS6 - 2832 - 000		2	SPRING, COMPRESSION	
103	FS6 - 2980 - 000		1	SPRING, COMPRESSION	
104	FS6 - 2992 - 000		6	SPRING, COMPRESSION	
105	XA9 - 0249 - 000		1	SCREW,M4X8	
106	XA9 - 0592 - 000		4	SCREW,M4X6	

FIGURE & KEY NO.	PART NUMBER	RANK	QTY	DESCRIPTION	SERIAL NUMBER / REMARKS
360 - 107	XA9 - 0605 - 000		1	SCREW,M4X8	
108	XA9 - 0605 - 000		5	SCREW,M4X8	
109	XA9 - 0628 - 000		47	SCREW,RS,M4X8	
110	XA9 - 0899 - 000		1	SCREW,RS,M4X10	
111	XA9 - 0908 - 000		10	SCREW,RS,M4X8	
112	XF2 - 1611 - 080		2	BELT, TIMING	
113	XF2 - 1612 - 680		1	BELT, TIMING	
114	XF9 - 0663 - 000		1	BELT, TIMING	
115	XG2 - 8012 - 355		2	BEARING, BALL	
116	XG9 - 0192 - 000		1	BALL BEARING, NMB DDLF-1060ZZH	
117	XG9 - 0211 - 000		4	BALL BEARING, MF128ZZ1MC3D4M	
118	XG9 - 0249 - 000		8	BEARING, BALL	
119	XG9 - 0250 - 000		4	BEARING, BALL	
120	XG9 - 0291 - 000		2	BEARING, BALL	
121	XG9 - 0362 - 000		2	BEARING, BALL, DDL-1260ZZR	
501	XB1 - 2300 - 409		2	SCREW,MACH.,TRUSS HEAD,M3X4	
502	XB1 - 2300 - 409		4	SCREW,MACH.,TRUSS HEAD,M3X4	
503	XB1 - 2400 - 609		2	SCREW,MACH.,TRUSS HEAD,M4X6	
504	XB1 - 2400 - 609		19	SCREW,MACH.,TRUSS HEAD,M4X6	
505	XB1 - 2401 - 009		6	SCREW,MACH.,TRUSS HEAD,M4X10	
506	XB1 - 2402 - 009		2	SCREW,MACH.,TRUSS HEAD,M4X20	
507	XB2 - 7400 - 607		4	SCREW,W/WASHER,M4X6	
508	XB2 - 8300 - 805		3	SCREW, MACH, PAN HEAD, M3X8	
509	XB4 - 7300 - 809		1	SCREW,TAPPING,TRUSS HEAD,M3X8	
510	XB4 - 7301 - 209		1	SCREW,TAPPING,TRUSS HEAD,M3X12	
511	XB6 - 2400 - 509		6	SETSCREW,M4X5	
512	XD1 - 1104 - 139		1	SHIM	
513	XD1 - 1108 - 229		1	SHIM	
514	XD2 - 1100 - 502		2	RING,E	
515	XD2 - 1100 - 642		34	RING,E	

FIGURE & KEY NO.	PART NUMBER	R A N K	Q' T Y	DESCRIPTION	SERIAL NUMBER / REMARKS
360 - 516	XD3 - 2200 - 122		3	PIN,DOWEL	
517	XD3 - 2200 - 142		3	PIN,DOWEL	
518	XD3 - 2200 - 162		2	PIN,DOWEL	
519	XD3 - 2200 - 182		1	PIN,DOWEL	

FIGURE 420 MIRROR ASSEMBLY 1



NOTE: This assembly does not include the part shown with key No.15.

FIGURE & KEY NO.	PART NUMBER	RANK	QTY	DESCRIPTION	SERIAL NUMBER / REMARKS
420 -	FG6 - 2036 - 060		1	MIRROR ASSEMBLY 1	
1	FB1 - 0715 - 000		1	ND FILTER	
2	FB2 - 1947 - 000		1	MOUNT, LAMP, FRONT	
3	FB2 - 1954 - 000		4	PLATE, CONTACT	
4	FB3 - 2411 - 000		4	PIN, SLIDE	
5	FB3 - 7692 - 000		4	PIN, PAD, 2	
6	FB4 - 0786 - 000		1	REFLECTOR, LOWER	
7	FB4 - 0787 - 000		1	REFLECTOR, AUXILIARY	
8	FB4 - 0788 - 000		1	REFLECTOR, FRONT	
9	FB4 - 0789 - 000		1	REFLECTOR, REAR	
10	FB4 - 0795 - 000		1	MOUNT, TERMINAL	
11	FB4 - 0802 - 000		2	PAD, OIL	
12	FB4 - 0804 - 000		1	CAP, SENSOR	
13	FB4 - 0832 - 000		1	PLATE, LIGHT BLOCKING	
14	FB4 - 0864 - 000		2	SPRING, LEAF, MIRROR	
15	FB4 - 0867 - 000		1	LABEL, "WARNING"	SEE NOTE 100V
	FB4 - 0868 - 000		1	LABEL, "WARNING"	SEE NOTE 208/220/240V
16	FB4 - 2385 - 000		1	FLAG, SENSOR	
17	FF5 - 6579 - 000		1	MIRROR, 1	
18	FG6 - 1943 - 000		1	EXPOSURE SENSOR PCB ASSEMBLY	J165
19	FG6 - 2326 - 000		1	CABLE, EXPOSURE SENSOR	J164,165
20	FH2 - 6453 - 000		1	CABLE, FLUORESCENT LAMP	J163,164,166
21	FH7 - 3347 - 000		1	LAMP, FLUORESCENT	FL1
22	FH7 - 4559 - 000		1	HEATER, FLUORESCENT LAMP	H5 J166
23	XA9 - 0596 - 000		1	SCREW,P,M3X6	
501	XB1 - 2300 - 409		1	SCREW,MACH.,TRUSS HEAD,M3X4	
502	XB1 - 2301 - 209		2	SCREW,MACH.,TRUSS HEAD,M3X12	
503	XB2 - 8300 - 607		4	SCREW,W/WASHER,M3X6	
504	XB2 - 8300 - 809		4	SCREW,W/WASHER,M3X8	
505	XB6 - 7300 - 609		15	SCREW,TP,M3X6	

FIGURE & KEY NO.	PART NUMBER	R A N K	Q' T Y	DESCRIPTION	SERIAL NUMBER / REMARKS
420 - 506	XD2 - 2300 - 202		4	RING,TOOTHED LOCK	

FIGURE 430 MIRROR ASSEMBLY 2

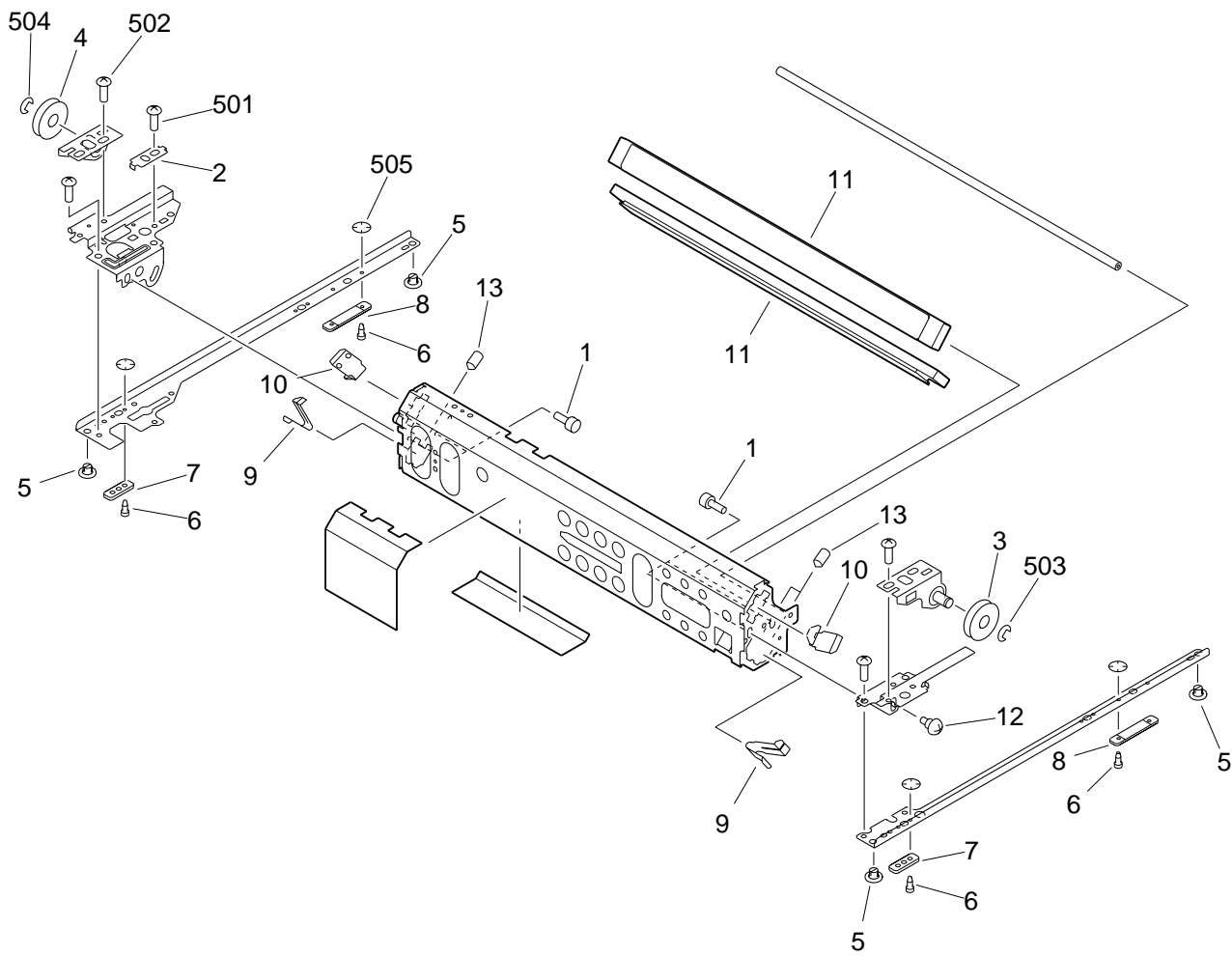
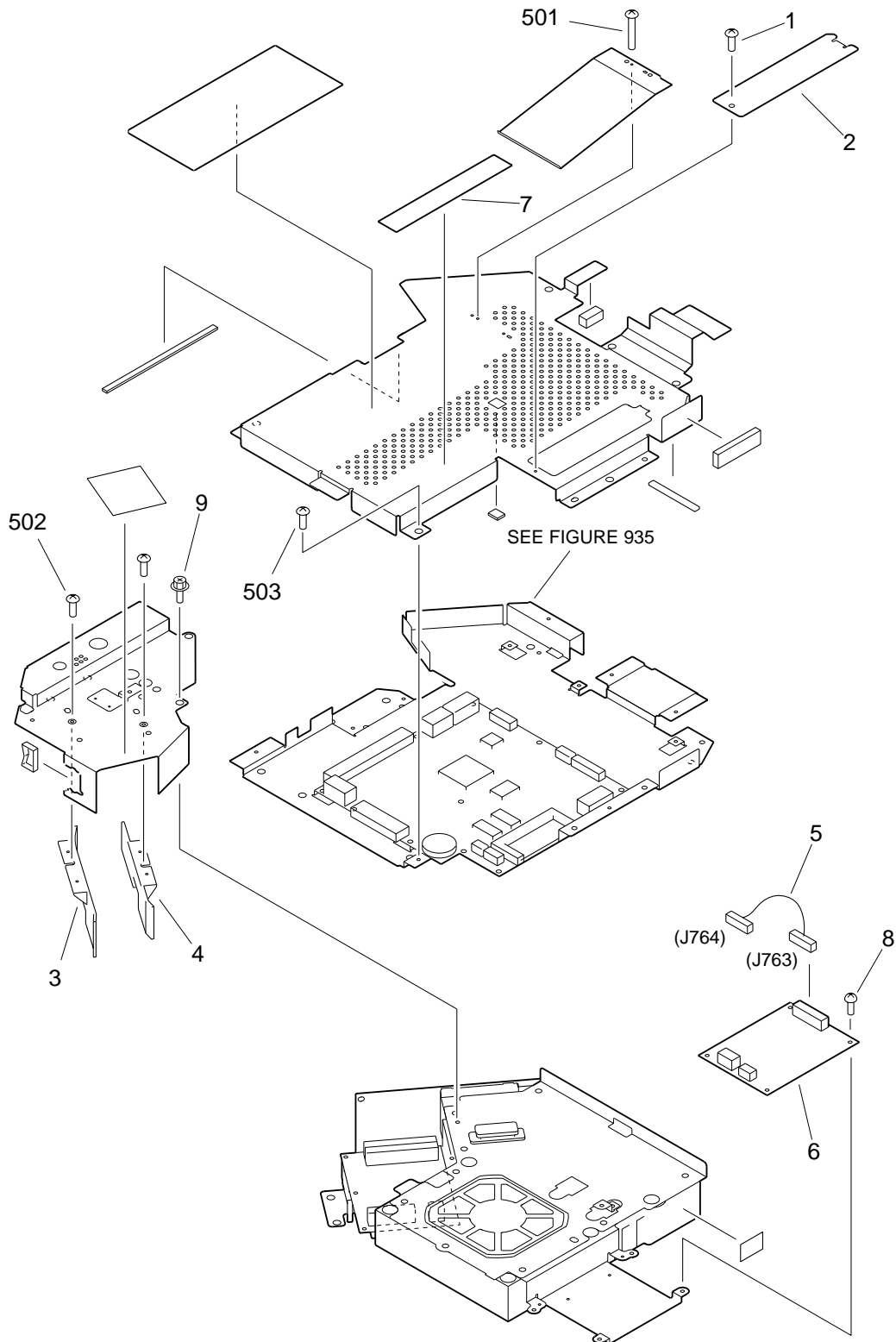


FIGURE & KEY NO.	PART NUMBER	RANK	QTY	DESCRIPTION	SERIAL NUMBER / REMARKS
430 -	FG5 - 9839 - 000		1	MIRROR ASSEMBLY 2	
1	FA9 - 1990 - 000		4	SCREW,ALLEN HEAD,M3X6	
2	FB1 - 6655 - 000		1	PLATE	
3	FB1 - 6663 - 000		1	PULLEY	
4	FB1 - 6663 - 000		1	PULLEY	
5	FB3 - 2411 - 000		4	PIN, SLIDE	
6	FB3 - 7692 - 000		8	PIN, PAD, 2	
7	FB4 - 0802 - 000		2	PAD, OIL	
8	FB4 - 0825 - 000		2	PAD, OIL, LEFT	
9	FB4 - 0831 - 000		2	SPRING, LEAF	
10	FB4 - 0864 - 000		2	SPRING, LEAF, MIRROR	
11	FF5 - 6581 - 000		2	MIRROR, 2/3	
12	FS1 - 9009 - 000		2	SCREW,STEPPED,M3	
13	XA9 - 0425 - 000		3	SETSCREW,HEX SOCKET	
501	XB1 - 2300 - 409		3	SCREW,MACH.,TRUSS HEAD,M3X4	
502	XB6 - 7300 - 409		9	SCREW,TP,M3X4	
503	XD2 - 1100 - 642		1	RING,E	
504	XD2 - 1100 - 642		1	RING,E	
505	XD2 - 2300 - 202		8	RING,TOOTHED LOCK	

FIGURE 460 SCANNER ASSEMBLY



NOTE: This assembly does not include the parts shown with key No. 1, 2, 3, 4, 9, 501, 502 and 503.

FIGURE & KEY NO.	PART NUMBER	RANK	QTY	DESCRIPTION	SERIAL NUMBER / REMARKS
460 -	FG6 - 8579 - 000		1	SCANNER ASSEMBLY	
1	FA9 - 1449 - 000		1	SCREW,W/WASHER,M3X6	SEE NOTE
2	FB4 - 2347 - 000		1	COVER, ROM	SEE NOTE
3	FB5 - 7028 - 000		1	GUIDE, AIR, LEFT	SEE NOTE
4	FB5 - 7029 - 000		1	GUIDE, AIR, RIGHT	SEE NOTE
5	FG6 - 2340 - 000		1	CABLE, POLYGON MOTOR	J763,764
6	FG6 - 8601 - 000		1	POLYGON MOTOR DRIVER PCB ASS'Y	
7	FS6 - 8820 - 000		1	LABEL, "WARNING LASER"	100/208V
	FS5 - 8623 - 000		1	LABEL, "WARNING LASER"	220/240V
8	XA9 - 0385 - 000		6	SCREW, W/WASHER, TRUSS HEAD	
9	XA9 - 0643 - 000		4	SCREW,RS,M4X10	SEE NOTE
501	XB1 - 2301 - 209		2	SCREW,MACH.,TRUSS HEAD,M3X12	SEE NOTE
502	XB1 - 2400 - 609		2	SCREW,MACH.,TRUSS HEAD,M4X6	SEE NOTE
503	XB2 - 7400 - 607		6	SCREW,W/WASHER,M4X6	SEE NOTE

FIGURE 510 PHOTO-SENSITIVE DRUM ASSEMBLY

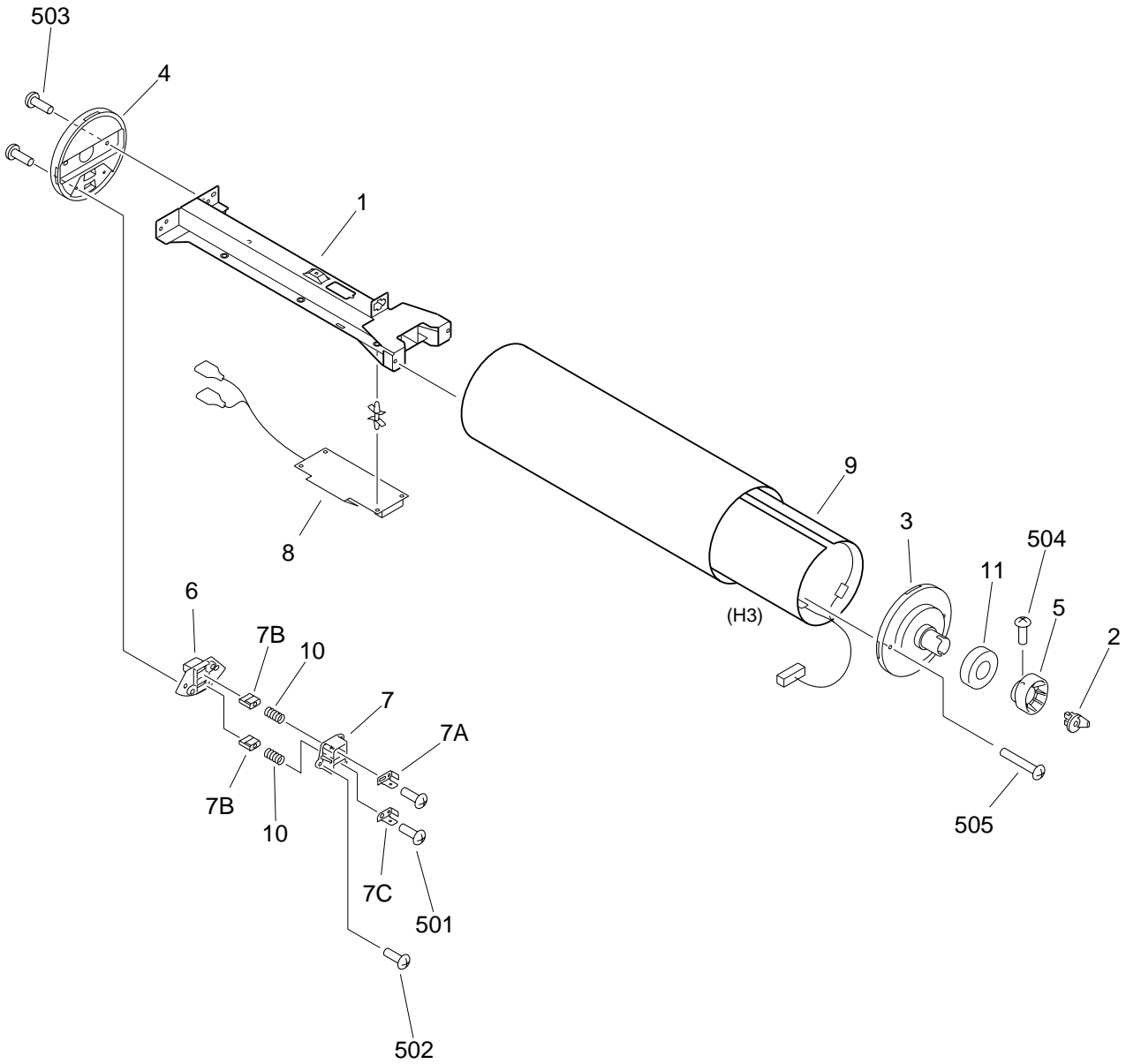
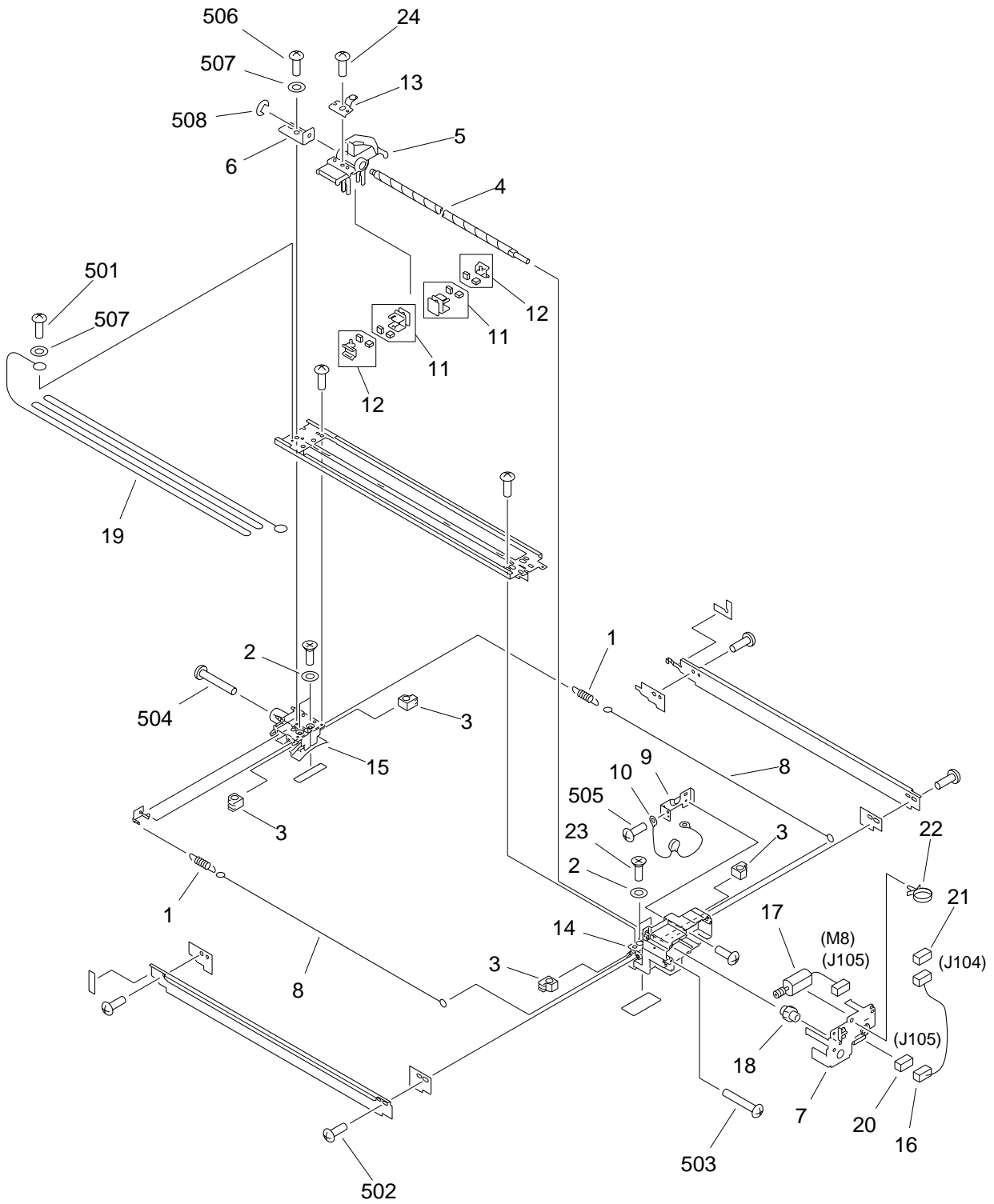


FIGURE & KEY NO.	PART NUMBER	RANK	QTY	DESCRIPTION	SERIAL NUMBER / REMARKS
510 -	NPN		RF	PHOTO-SENSITIVE DRUM ASSEMBLY	
1	FA6 - 0648 - 000		1	GUIDE, DRUM	
2	FB4 - 1416 - 000		1	SUPPORT, DRUM	
3	FB4 - 1620 - 000		1	FLANGE, DRUM, FRONT	
4	FB4 - 1621 - 000		1	FLANGE, DRUM, REAR	
5	FB4 - 1622 - 000		1	CAM	
6	FB4 - 1623 - 000		1	MOUNT, BRUSH	
7	FF5 - 8733 - 000		1	BLOCK, TERMINAL	
7 A	FA3 - 2394 - 000		1	TERMINAL, 1	
7 B	FA3 - 2395 - 000		2	BRUSH	
7 C	FB3 - 6117 - 000		1	TERMINAL, 2	
8	FH6 - 3994 - 000		1	HEATER CONTROL PCB ASSEMBLY	
9	FH7 - 4714 - 000		1	HEATER, DRUM	200/208V H3
	FH7 - 4715 - 000		1	HEATER, DRUM	220/240V H3
10	FS2 - 2036 - 020		2	SPRING, COMPRESSION	
11	XG9 - 0307 - 000		1	BEARING, BALL	
501	XA1 - 6260 - 409		2	SCREW, M2, 6X4	
502	XB1 - 2300 - 609		2	SCREW, MACH., TRUSS HEAD, M3X6	
503	XB1 - 2400 - 609		4	SCREW, MACH., TRUSS HEAD, M4X6	
504	XB2 - 8400 - 809		1	SCREW, W/WASHER, M4X8	
505	XB6 - 7401 - 609		2	SCREW, TP, M4X16	

FIGURE 550 PRIMARY CORONA ASSEMBLY



NOTE: This assembly does not include the part shown with key No.21.

FIGURE & KEY NO.	PART NUMBER	R A N K	Q' T Y	DESCRIPTION	SERIAL NUMBER / REMARKS
550 -	FG6 - 7313 - 000		1	PRIMARY CORONA ASSEMBLY	
1	97 - 5527 - 000		2	SPRING, TENSION	
2	FA2 - 1498 - 000		4	WASHER	
3	FA3 - 2118 - 000		4	GUIDE, CORONA WIRE	
4	FB4 - 1693 - 000		1	SCREW, SHAFT	
5	FB4 - 1933 - 000		1	HOLDER, PRIMARY CORONA	
6	FB4 - 1940 - 000		1	PLATE, SHAFT SCREW	
7	FB4 - 1941 - 000		1	COVER, MOTOR	
8	FB4 - 3687 - 000		AR	WIRE, CORONA, 0.06MM (20M)	
9	FB4 - 5305 - 000		1	PLATE, HEIGHT ADJUSTING	
10	FF3 - 3330 - 000		1	VARISTOR UNIT	
11	FF5 - 6883 - 000		2	BLOCK, WIRE CLEANING PAD	
12	FF5 - 6884 - 000		2	BLOCK, WIRE CLEANING PAD	
13	FF5 - 6885 - 000		1	GUIDE, PIN	
14	FF5 - 7705 - 000		1	BLOCK, PRIMARY CORONA, FRONT	
15	FF5 - 7706 - 000		1	BLOCK, PRIMARY CORONA, REAR	
16	FG6 - 1858 - 000		1	CABLE, MOTOR CONNECTING	J104,105
17	FH6 - 1135 - 000		1	MOTOR, DC, 1.36W	M8 J105
18	FS6 - 0115 - 000		1	GEAR, 18T	
19	FY1 - 0883 - 000		AR	WIRE, GRID, 0.1MM (100M)	
20	VS1 - 5057 - 002		1	CONNECTOR, SNAP TIGHT	J105
21	VS1 - 5057 - 002		1	CONNECTOR, SNAP TIGHT	SEE NOTE J104
22	WT2 - 5178 - 000		1	CLIP, CABLE	
23	XA9 - 0228 - 000		4	SCREW,MACH.,C.S.HEAD,M4X18	
24	XA9 - 0915 - 000		3	SCREW,M3X6	
501	XB1 - 2300 - 603		1	SCREW,MACH.,TRUSS HEAD,M3X6	
502	XB1 - 2300 - 609		12	SCREW,MACH.,TRUSS HEAD,M3X6	
503	XB1 - 2301 - 207		1	SCREW,MACH.,TRUSS HEAD,M3X12	
504	XB1 - 2302 - 503		1	SCREW,MACH.,TRUSS HEAD,M3X25	
505	XB2 - 7300 - 607		2	SCREW,W/WASHER,M3X6	

FIGURE & KEY NO.	PART NUMBER	R A N K	Q' T Y	DESCRIPTION	SERIAL NUMBER / REMARKS
550 - 506	XB6 - 7300 - 609		1	SCREW,TP,M3X6	
507	XD1 - 2100 - 307		1	WASHER,PLAIN	
508	XD2 - 1100 - 242		1	RING,E	

FIGURE 570 PRE-TRANSFER CORONA ASSEMBLY

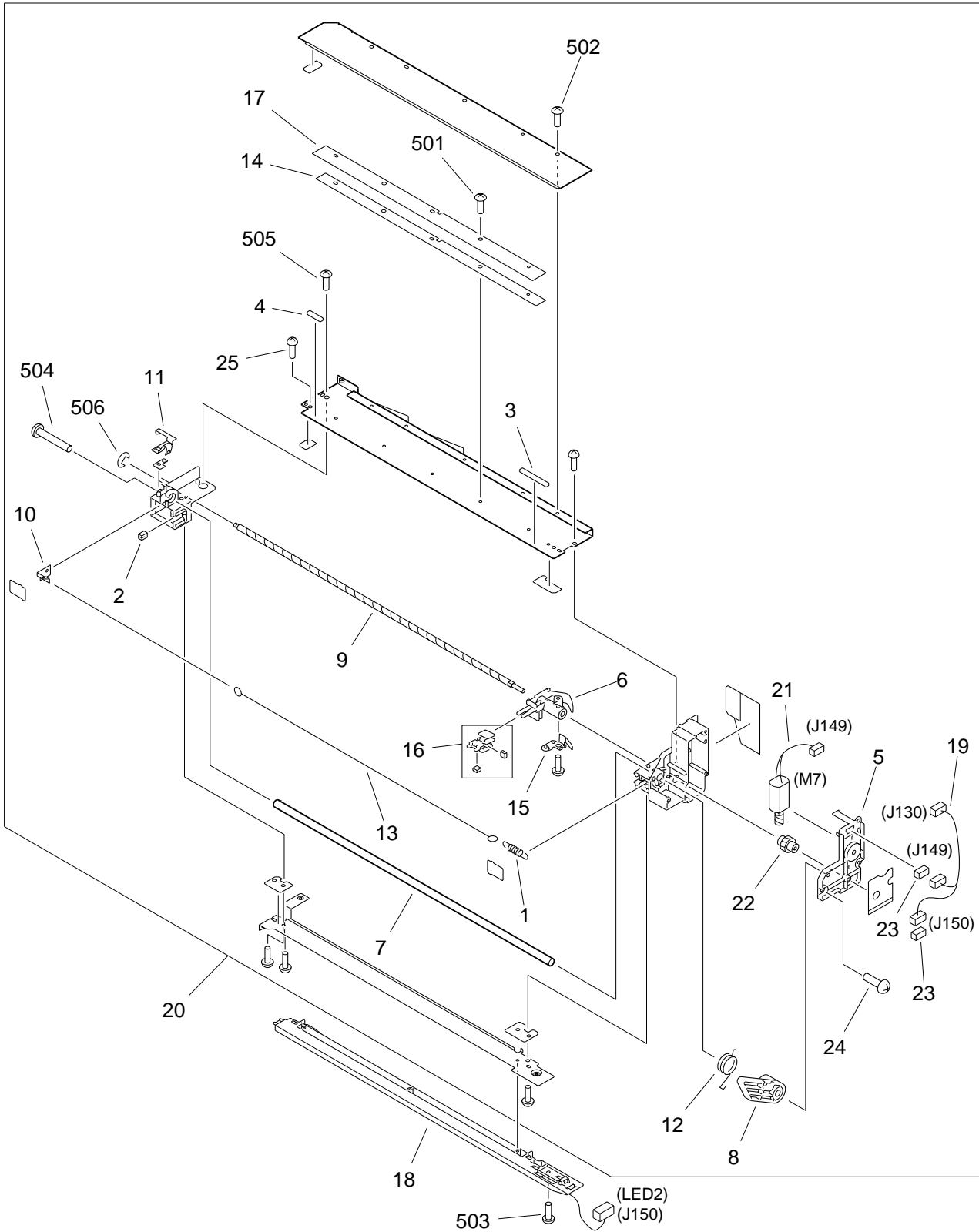


FIGURE & KEY NO.	PART NUMBER	RANK	QTY	DESCRIPTION	SERIAL NUMBER / REMARKS
570 -	FG6 - 8740 - 000		1	PRE-TRANSFER CORONA ASSEMBLY	
1	97 - 5527 - 000		1	SPRING, TENSION	
2	FA3 - 2128 - 000		1	DAMPER	
3	FA3 - 2565 - 000		1	BRUSH, FRONT	
4	FA3 - 8004 - 000		1	BRUSH, REAR	
5	FB4 - 1680 - 020		1	COVER, PRE-TRANSFER MOTOR	
6	FB4 - 1681 - 020		1	HOLDER, SHAFT SCREW	
7	FB4 - 1682 - 000		1	ROLLER, BIAS	
8	FB4 - 1683 - 000		1	ARM, BIAS ROLLER	
9	FB4 - 1693 - 000		1	SCREW, SHAFT	
10	FB4 - 1694 - 000		1	TERMINAL, CORONA	
11	FB4 - 1695 - 000		1	TERMINAL, BIAS ROLLER	
12	FB4 - 1696 - 000		1	SPRING, TORSION	
13	FB4 - 3687 - 000		AR	WIRE, CORONA, 0.06MM (20M)	
14	FB6 - 4081 - 000		1	PLATE, SCRAPER RETAINING	
15	FF5 - 2942 - 020		1	PLATE, PRESSURE	
16	FF5 - 9552 - 000		1	CLEANER, WIRE	
17	FF6 - 1860 - 000		1	MOUNT, PRE-TRANSFER SCRAPER	
18	FG6 - 7185 - 000		1	PRE-TRANSFER EXPOSURE UNIT	LED2 J150
19	FG6 - 7203 - 000		1	CABLE, PRE-TRANSFER CONNECTING	J130,149,150
20	FG9 - 3863 - 000		1	PRE-TRANSFER SUB UNIT	
21	FH6 - 1135 - 000		1	MOTOR, DC, 1.36W	M7 J149
22	FS6 - 0115 - 000		1	GEAR, 18T	
23	VS1 - 5057 - 002		2	CONNECTOR, SNAP TIGHT	J149,150
24	XA9 - 0591 - 000		2	SCREW,M3X8	
25	XA9 - 0596 - 000		6	SCREW,P,M3X6	
501	XB1 - 2300 - 402		5	SCREW,MACH.,TRUSS HEAD,M3X4	
502	XB1 - 2300 - 407		3	SCREW,MACH.,TRUSS HEAD,M3X4	
503	XB1 - 2300 - 609		1	SCREW,MACH.,TRUSS HEAD,M3X6	
504	XB1 - 2301 - 603		1	SCREW,MACH.,TRUSS HEAD,M3X16	

FIGURE & KEY NO.	PART NUMBER	R A N K	Q' T Y	DESCRIPTION	SERIAL NUMBER / REMARKS
570 - 505	XB1 - 2400 - 407		1	SCREW,MACH.,TRUSS HEAD,M4X4	
506	XD2 - 1100 - 242		1	RING,E	

FIGURE 580 TRANSFER/SEPARATE CORONA ASSEMBLY

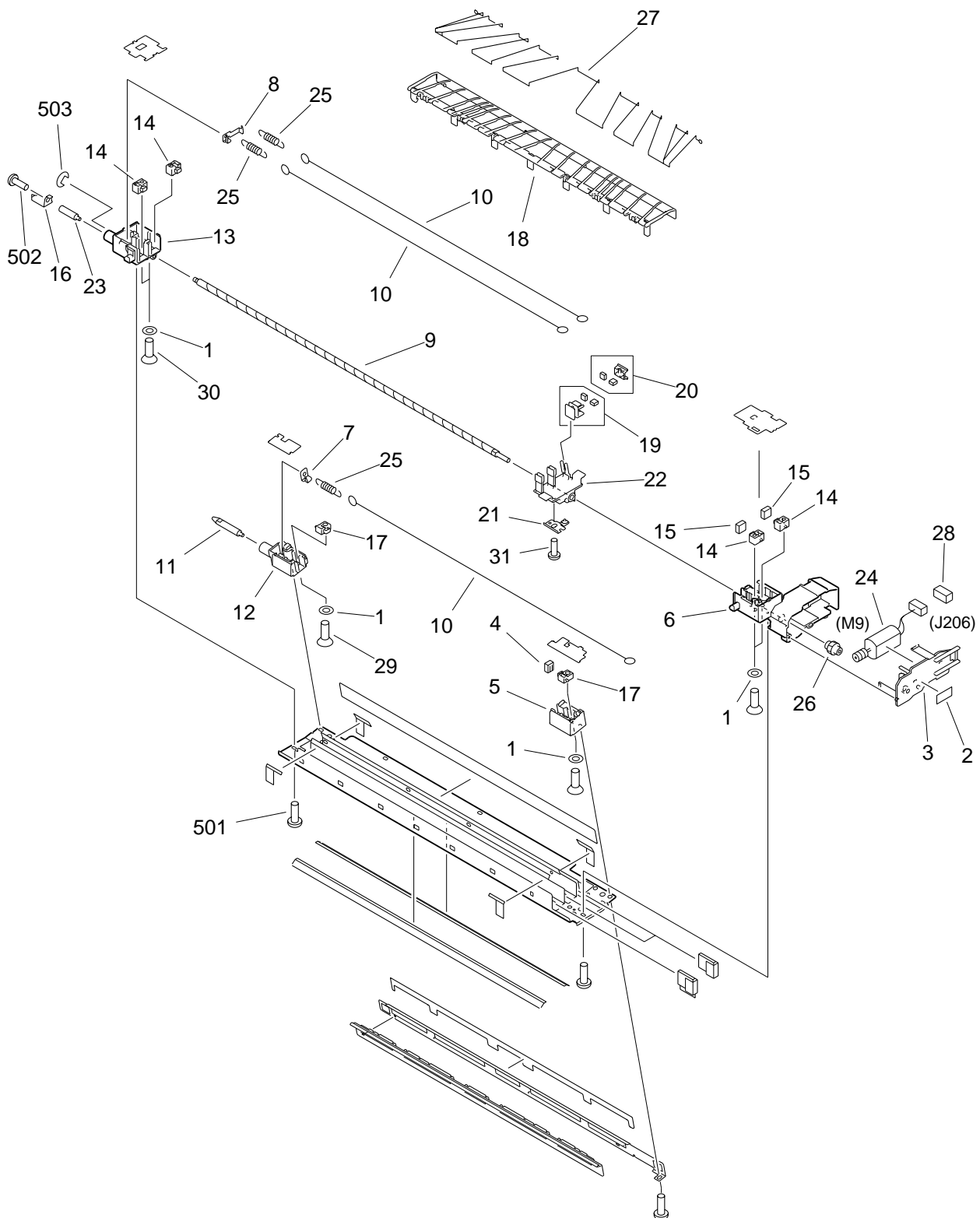
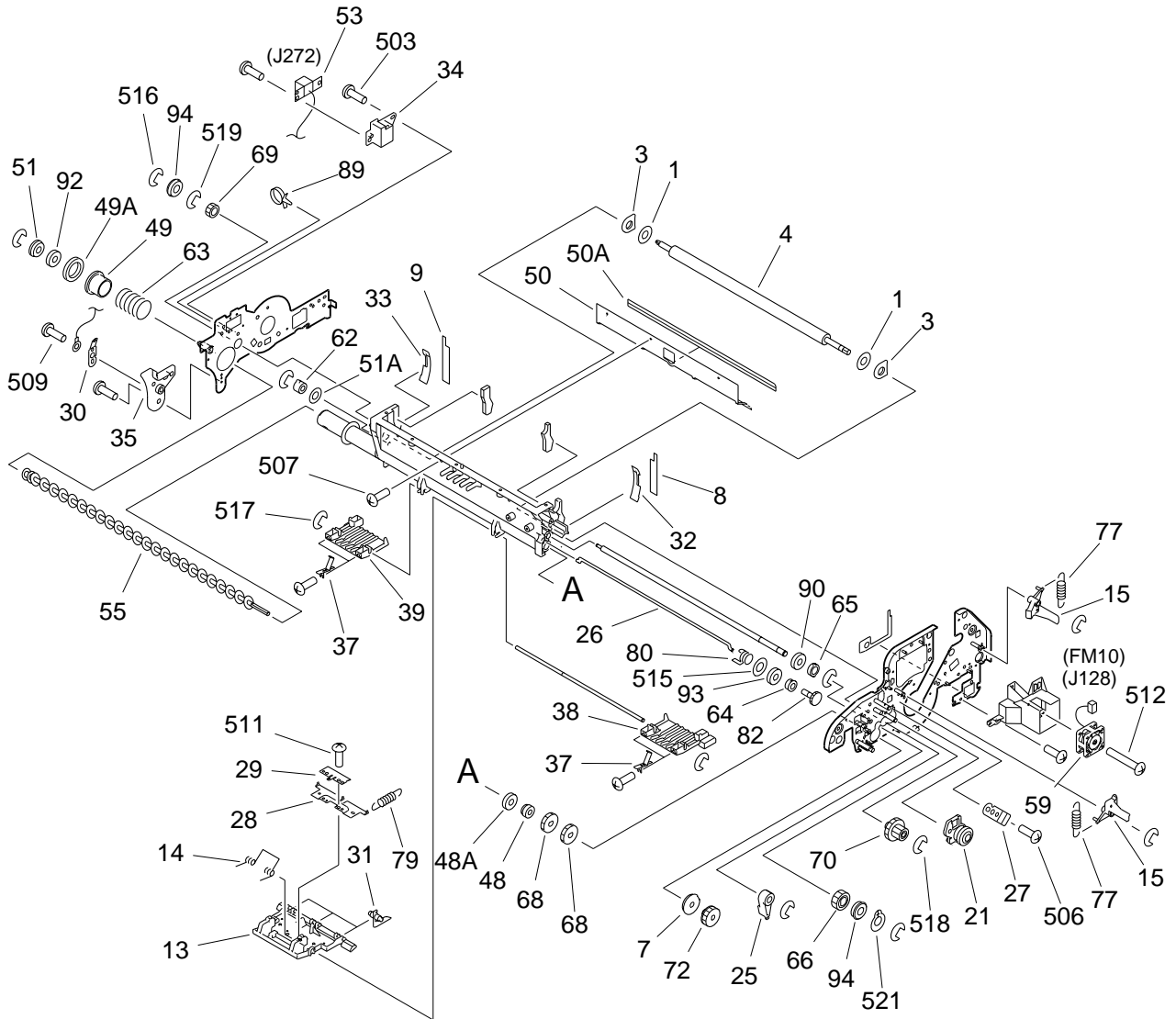


FIGURE & KEY NO.	PART NUMBER	RANK	QTY	DESCRIPTION	SERIAL NUMBER / REMARKS
580 -	FG6 - 8733 - 020		1	TRANSFER/SEPARATE CORONA ASS'Y	
1	FA2 - 1498 - 000		6	WASHER	
2	FA9 - 3822 - 000		1	LABEL, DISCRIMINATE	
3	FB2 - 6850 - 000		1	COVER, MOTOR	
4	FB2 - 7096 - 000		3	PAD, DUST-PROOF	
5	FB4 - 1648 - 000		1	BLOCK, TRANSFER, FRONT	
6	FB4 - 1650 - 000		1	BLOCK, SEPARATION, FRONT	
7	FB4 - 1656 - 000		1	HOOK, SPRING, 1	
8	FB4 - 1657 - 000		1	HOOK, SPRING, 2	
9	FB4 - 1693 - 000		1	SCREW, SHAFT	
10	FB4 - 3687 - 000		AR	WIRE, CORONA, 0.06MM (20M)	
11	FB4 - 9355 - 000		1	PIN, TRANSFER/SEPARATION	
12	FB5 - 0529 - 000		1	BLOCK, TRANSFER, REAR	
13	FB5 - 0530 - 000		1	BLOCK, SEPARATION, REAR	
14	FB5 - 2394 - 000		4	BLOCK, ADJUSTING	
15	FB5 - 2515 - 000		2	PAD, CUSHION	
16	FB5 - 3105 - 000		1	TERMINAL, TRANSFER/SEPARATION	
17	FB5 - 9648 - 000		2	GUIDE, CORONA WIRE	
18	FB6 - 0502 - 020		1	GUIDE, PAPER SEPARATION	
19	FF5 - 6883 - 000		1	BLOCK, WIRE CLEANING PAD	
20	FF5 - 6884 - 000		1	BLOCK, WIRE CLEANING PAD	
21	FF5 - 6885 - 000		1	GUIDE, PIN	
22	FF5 - 7891 - 020		1	HOLDER, FELT	
23	FH2 - 9242 - 000		1	PIN, RESISTANCE	
24	FH6 - 1135 - 000		1	MOTOR, DC, 1.36W	M9 J206
25	FS2 - 2551 - 000		3	SPRING, TENSION	
26	FS6 - 0115 - 000		1	GEAR, 18T	
27	RY1 - 1502 - 000		AR	WIRE, GUIDE	
28	VS1 - 5057 - 002		1	CONNECTOR, SNAP TIGHT	J206
29	XA9 - 0034 - 000		2	SCREW, MACH., C.S. HEAD, M4X15	

FIGURE & KEY NO.	PART NUMBER	R A N K	Q' T Y	DESCRIPTION	SERIAL NUMBER / REMARKS
580 - 30	XA9 - 0228 - 000		4	SCREW,MACH.,C.S.HEAD,M4X18	
31	XA9 - 0915 - 000		1	SCREW,M3X6	
501	XB1 - 2300 - 609		8	SCREW,MACH.,TRUSS HEAD,M3X6	
502	XB2 - 7300 - 607		1	SCREW,W/WASHER,M3X6	
503	XD2 - 1100 - 242		1	RING,E	

FIGURE 600 AP KIT ASSEMBLY(1/2)



NOTE1: This assembly includes the assembly shown in Figure 720.

NOTE2: This assembly does not include the parts shown with key No. 11, 20, 27, and 506.

FIGURE 600 AP KIT ASSEMBLY(2/2)

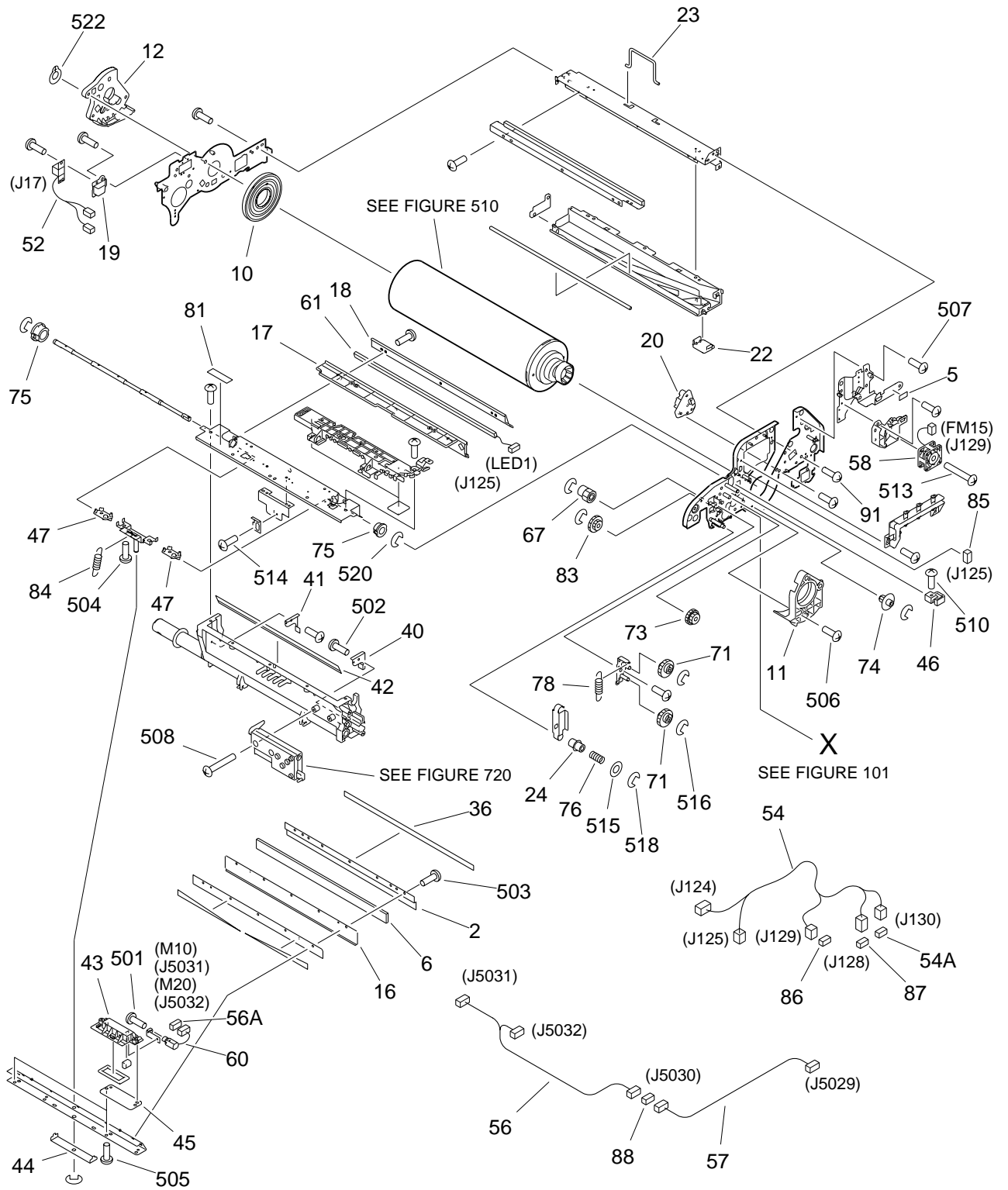


FIGURE & KEY NO.	PART NUMBER	RANK	QTY	DESCRIPTION	SERIAL NUMBER / REMARKS
600 -	FG6 - 8724 - 000		1	AP KIT ASSEMBLY	SEE NOTE 1
1	FA4 - 1819 - 000		2	SPACER	
2	FA4 - 2037 - 000		1	RETAINER, BLADE	
3	FA6 - 7865 - 000		2	SEAL, FELT	
4	FA9 - 3730 - 010		1	ROLLER, MAGNET	
5	FA9 - 3822 - 000		1	LABEL, DISCRIMINATE	
6	FA9 - 3878 - 000		1	BLADE, CLEANING	
7	FB2 - 8302 - 000		1	BUSHING	
8	FB4 - 1569 - 000		1	SEAL, SIDE, FRONT	
9	FB4 - 1570 - 000		1	SEAL, SIDE, REAR	
10	FB4 - 1575 - 000		1	SUPPORT, DRUM SIDE	
11	FB4 - 1576 - 000		1	BLOCK, TRANSFER FIXING, FRONT	SEE NOTE 2
12	FB4 - 1577 - 000		1	BLOCK, TRANSFER FIXING, REAR	
13	FB4 - 1584 - 000		1	HOLDER, CLAW	
14	FB4 - 1585 - 000		1	SPRING, TORSION	
15	FB4 - 1590 - 000		2	SUPPORT, CORONA FIXING	
16	FB4 - 1592 - 000		1	PLATE, BLADE BACKING	
17	FB4 - 1594 - 000		1	HOLDER, PRECONDITIONING, A	
18	FB4 - 1595 - 000		1	HOLDER, PRECONDITIONING, B	
19	FB4 - 1600 - 000		1	HOLDER, CONNECTOR	
20	FB4 - 1607 - 000		1	HOLDER, POSITIONING, FRONT	SEE NOTE 2
21	FB4 - 1609 - 000		1	LIMITER, TORQUE	
22	FB4 - 1611 - 000		1	COVER, PRE-TRANSFER DUCT	
23	FB4 - 1612 - 000		1	HANDLE	
24	FB4 - 1613 - 000		1	SPACER	
25	FB4 - 1617 - 000		1	ARM, ROLLER	
26	FB4 - 1618 - 000		1	SHAFT, CLEANER STIRRING	
27	FB4 - 1619 - 000		1	RETAINER, BEARING	SEE NOTE 2
28	FB4 - 8012 - 000		1	PLATE, SEPARATION CLAW	
29	FB4 - 8013 - 000		1	PLATE, GROUNDING, 1	

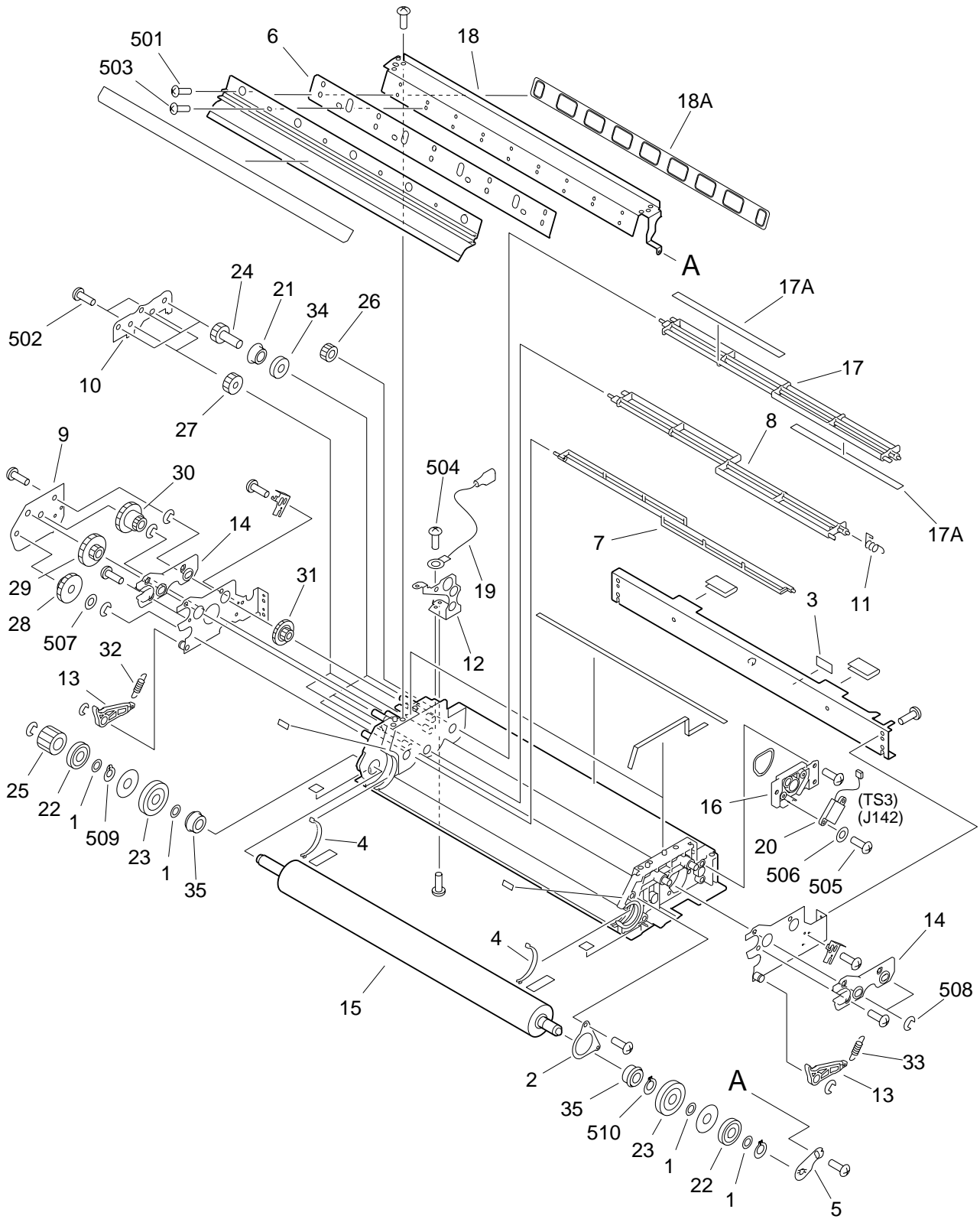
FIGURE & KEY NO.	PART NUMBER	R A N K	Q' T Y	DESCRIPTION	SERIAL NUMBER / REMARKS
600 - 30	FB4 - 8014 - 000		1	PLATE, GROUNDING, 2	
31	FB4 - 8018 - 000		3	CLAW, SEPARATION	
32	FB4 - 9517 - 000		1	PLATE, SHEET SUPPORT, FRONT	
33	FB4 - 9518 - 000		1	PLATE, SHEET SUPPORT, REAR	
34	FB4 - 9525 - 000		1	HOLDER, CONNECTOR	
35	FB4 - 9526 - 000		1	HOLDER, BIAS SUPPORT	
36	FB5 - 1844 - 000		1	LABEL, "CAUTION, BLADE CHANGE"	
37	FB5 - 2598 - 000		4	PLATE, HOLDER SUPPORT	
38	FB5 - 6856 - 000		1	GUIDE, CLEANER COOLING, FRONT	
39	FB5 - 6857 - 000		1	GUIDE, CLEANER COOLING, REAR	
40	FB5 - 6868 - 000		1	SCRAPER, FRONT	
41	FB5 - 6869 - 000		1	SCRAPER, REAR	
42	FB5 - 8817 - 000		1	SHEET, SCRAPER, LOWER	
43	FB6 - 2380 - 000		2	HOUSING, MOTOR	
44	FB6 - 2385 - 000		1	SPRING, LEAF	
45	FB6 - 2390 - 000		2	COVER, MOTOR	
46	FB6 - 2400 - 000		1	ARM, RECIPROCATING	
47	FB6 - 2402 - 000		2	RETAINER, SWING PLATE	
48	FF2 - 2891 - 000		1	BUSHING	
48 A	XG9 - 0111 - 000		1	SEAL, OIL	
49	FF5 - 2986 - 000		1	SHUTTER, WASTE TONER	
49 A	FB2 - 6897 - 000		1	SEAL, SHUTTER	
50	FF5 - 7682 - 000		1	SCRAPER	
50 A	FB4 - 1616 - 000		1	SHEET, SCRAPER	
51	FF6 - 1016 - 000		1	BUSHING	
51 A	XG9 - 0143 - 000		1	SEAL, OIL	
52	FG6 - 1853 - 000		1	CABLE, DRUM HEATER	J17
53	FG6 - 3568 - 000		1	CABLE, SEPARATION CLAW	J272
54	FG6 - 7204 - 000		1	CABLE, AP KIT	J124,125,128-130
54 A	VS1 - 5057 - 004		1	CONNECTOR, SNAP TIGHT	J130

FIGURE & KEY NO.	PART NUMBER	RANK	QTY	DESCRIPTION	SERIAL NUMBER / REMARKS
600 - 55	FG6 - 7429 - 000		1	SCREW, CLEANING	
56	FG6 - 8594 - 000		1	CABLE, VIB. MOTOR CONNECT, 1	J5030-5032
56 A	VS1 - 5057 - 002		2	CONNECTOR, SNAP TIGHT	J5031,5032
57	FG6 - 8595 - 000		1	CABLE, VIB. MOTOR CONNECT, 2	J5029,5030
58	FH6 - 1547 - 000		1	FAN, COOLING	FM15 J129
59	FH6 - 1547 - 000		1	FAN, COOLING	FM10 J128
60	FH6 - 1961 - 000		2	MOTOR, DC	M10,20 J5031,5032
61	FH7 - 3395 - 000		1	LED ARRAY UNIT	LED1 J125
62	FS2 - 1463 - 000		1	BUSHING	
63	FS3 - 2887 - 000		1	SPRING, COMPRESSION	
64	FS5 - 1800 - 000		1	BUSHING	
65	FS5 - 1801 - 000		1	BUSHING	
66	FS6 - 0121 - 000		1	GEAR, 14T	
67	FS6 - 0136 - 000		1	GEAR, 18T	
68	FS6 - 0138 - 000		2	GEAR, 30T	
69	FS6 - 0972 - 000		1	GEAR, 14T	
70	FS6 - 0973 - 000		1	GEAR, 14T/26T	
71	FS6 - 0975 - 000		2	GEAR, 24T	
72	FS6 - 0976 - 000		1	GEAR, 20T	
73	FS6 - 0977 - 000		1	GEAR, 14T/26T	
74	FS6 - 0978 - 000		1	GEAR, 14T	
75	FS6 - 1025 - 000		2	BUSHING	
76	FS6 - 2748 - 000		1	SPRING, COMPRESSION	
77	FS6 - 2749 - 000		2	SPRING, TENSION	
78	FS6 - 2981 - 000		1	SPRING, TENSION	
79	FS6 - 2991 - 000		3	SPRING, TENSION	
80	FS6 - 2994 - 000		1	SPRING, TORSION	
81	FS6 - 8399 - 000		1	LABEL, GREASE TYPE	
82	FS7 - 0048 - 000		1	GEAR, 26T	
83	FS7 - 0050 - 000		1	GEAR, 23T/39T	

FIGURE & KEY NO.	PART NUMBER	RANK	QTY	DESCRIPTION	SERIAL NUMBER / REMARKS
600 - 84	FS7 - 2902 - 000		1	SPRING, TENSION	
85	VS1 - 5057 - 002		1	CONNECTOR, SNAP TIGHT	J125
86	VS1 - 5057 - 003		1	CONNECTOR, SNAP TIGHT	J129
87	VS1 - 5057 - 003		1	CONNECTOR, SNAP TIGHT	J128
88	VS1 - 6318 - 005		1	CONNECTOR, SNAP TIGHT	J5030
89	WT2 - 5565 - 000		2	CLAMP, CABLE	
90	X71 - 9310 - 000		1	SEAL, OIL	
91	XA9 - 0605 - 000		4	SCREW,M4X8	
92	XG9 - 0111 - 000		1	SEAL, OIL	
93	XG9 - 0143 - 000		1	SEAL, OIL	
94	XG9 - 0250 - 000		2	BEARING, BALL	
501	XA1 - 1160 - 207		4	SCREW,MACH.,PAN HEAD,M1.6X2	
502	XB1 - 2300 - 602		2	SCREW,MACH.,TRUSS HEAD,M3X6	
503	XB1 - 2300 - 609		23	SCREW,MACH.,TRUSS HEAD,M3X6	
504	XB1 - 2300 - 809		4	SCREW,MACH.,TRUSS HEAD,M3X8	
505	XB1 - 2301 - 007		4	SCREW,MACH.,TRUSS HEAD,M3X10	
506	XB1 - 2400 - 609		7	SCREW,MACH.,TRUSS HEAD,M4X6	SEE NOTE 2
507	XB1 - 2400 - 609		36	SCREW,MACH.,TRUSS HEAD,M4X6	
508	XB1 - 2401 - 609		2	SCREW,MACH.,TRUSS HEAD,M4X16	
509	XB2 - 7300 - 607		1	SCREW,W/WASHER,M3X6	
510	XB2 - 8300 - 609		1	SCREW,W/WASHER,M3X6	
511	XB4 - 7300 - 509		1	SCREW,TAPPING,TRUSS HEAD,M3X5	
512	XB4 - 7303 - 009		2	SCREW,TAPPING,TRUSS HEAD,M3X30	
513	XB4 - 7303 - 009		2	SCREW,TAPPING,TRUSS HEAD,M3X30	
514	XB6 - 7400 - 609		1	SCREW,TP,M4X6	
515	XD1 - 1106 - 235		2	SHIM	
516	XD2 - 1100 - 322		6	RING,E	
517	XD2 - 1100 - 402		8	RING,E	
518	XD2 - 1100 - 502		6	RING,E	
519	XD2 - 1100 - 642		4	RING,E	

FIGURE & KEY NO.	PART NUMBER	R A N K	Q' T Y	DESCRIPTION	SERIAL NUMBER / REMARKS
600 - 520	XD2 - 1100 - 802		2	RING,E	
521	XD2 - 2100 - 802		1	RING,GRIP	
522	XD2 - 2300 - 602		3	RING,GRIP	

FIGURE 640 DEVELOPING ASSEMBLY

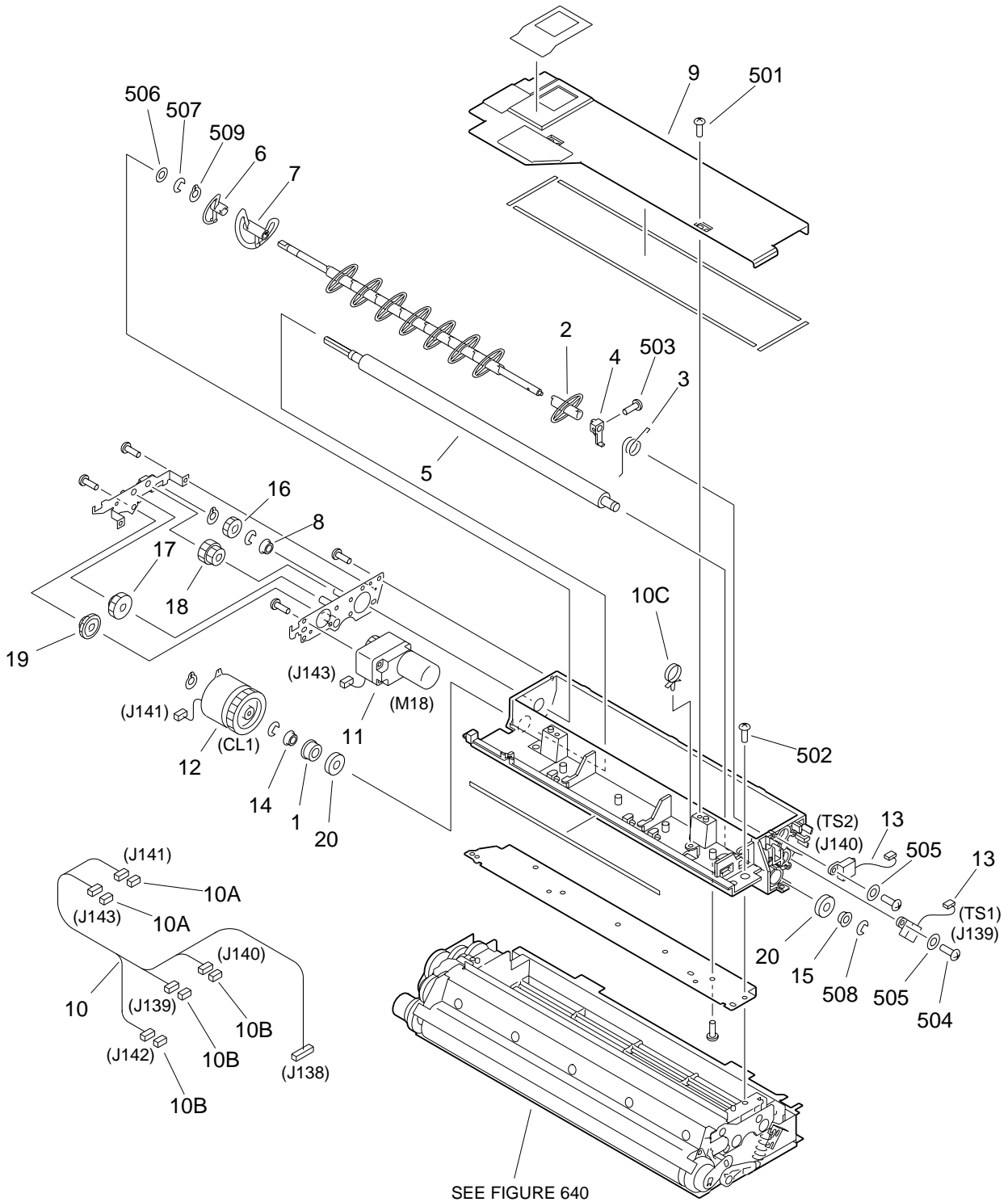


NOTE: This assembly includes the assembly shown in Figure 645.

FIGURE & KEY NO.	PART NUMBER	RANK	QTY	DESCRIPTION	SERIAL NUMBER / REMARKS
640 -	FG6 - 8730 - 000		1	DEVELOPING ASSEMBLY	SEE NOTE
1	FA3 - 0515 - 000		4	WASHER	
2	FA6 - 7822 - 000		1	MOUNT, BUSHING	
3	FA9 - 3822 - 000		1	LABEL, DISCRIMINATE	
4	FB4 - 0464 - 000		2	PLATE, MAGNETIC	
5	FB4 - 1820 - 020		1	PLATE, MAGNET POSITIONING	
6	FB4 - 1821 - 020		1	BLADE, MAGNET	
7	FB4 - 1824 - 000		1	ROD, STIRRING, 1	
8	FB4 - 1825 - 000		1	ROD, STIRRING, 2	
9	FB4 - 1828 - 000		1	RETAINER, REDUCTION GEAR	
10	FB4 - 1829 - 000		1	RETAINER, STIRRER DRIVE GEAR	
11	FB4 - 1831 - 000		1	SPRING, TORSION	
12	FB4 - 1837 - 000		1	TERMINAL, BIAS	
13	FB4 - 1862 - 000		2	ARM, PRESSURE	
14	FB4 - 1866 - 000		2	MOUNT, PRESSURE SLIDE	
15	FB6 - 2370 - 000		1	CYLINDER, DEVELOPING	
16	FF5 - 7698 - 000		1	MOUNT, TONER SENSOR	
17	FF5 - 7701 - 000		1	ROD, STIRRING, 3	
17 A	FB4 - 1830 - 000		2	RUBBER, STIRRING	
18	FF6 - 1041 - 000		1	MOUNT, BLADE SUPPORT	
18 A	FB5 - 6853 - 000		1	SHEET	
19	FG6 - 1854 - 000		1	CABLE, HV, DEVELOPING UNIT	
20	FH7 - 7337 - 000		1	SENSOR, TONER	TS3,J142
21	FS2 - 1014 - 000		3	BUSHING	
22	FS5 - 6574 - 000		2	ROLLER, PRESSURE	
23	FS5 - 6579 - 000		2	COLLAR	
24	FS6 - 0857 - 000		3	GEAR, 20T	
25	FS6 - 0979 - 000		1	GEAR, 24T	
26	FS6 - 0980 - 000		1	GEAR, 19T	
27	FS6 - 0981 - 000		2	GEAR, 21T	

FIGURE & KEY NO.	PART NUMBER	RANK	QTY	DESCRIPTION	SERIAL NUMBER / REMARKS
640 - 28	FS6 - 0982 - 000		1	GEAR, 16T/31T	
29	FS6 - 0983 - 000		1	GEAR, 14T/34T	
30	FS6 - 0984 - 000		1	GEAR, 14T/32T	
31	FS6 - 0985 - 000		1	GEAR, 16T/34T	
32	FS6 - 2750 - 000		1	SPRING, TENSION	
33	FS6 - 2751 - 000		1	SPRING, TENSION	
34	X71 - 9310 - 000		3	SEAL, OIL	
35	XG9 - 0120 - 000		2	BEARING, BALL	
501	XB1 - 2300 - 402		5	SCREW,MACH.,TRUSS HEAD,M3X4	
502	XB1 - 2300 - 409		28	SCREW,MACH.,TRUSS HEAD,M3X4	
503	XB1 - 2300 - 604		4	SCREW,MACH.,TRUSS HEAD,M3X6	
504	XB2 - 7300 - 407		3	SCREW,W/WASHER,M3X4	
505	XB4 - 7300 - 809		2	SCREW,TAPPING,TRUSS HEAD,M3X8	
506	XD1 - 1103 - 139		2	SHIM	
507	XD1 - 1106 - 222		1	SHIM	
508	XD2 - 1100 - 502		8	RING,E	
509	XD2 - 2101 - 002		1	RING,GRIP	
510	XD2 - 3100 - 102		2	RING,C,EXTERNAL	

FIGURE 645 BUFFER ASSEMBLY

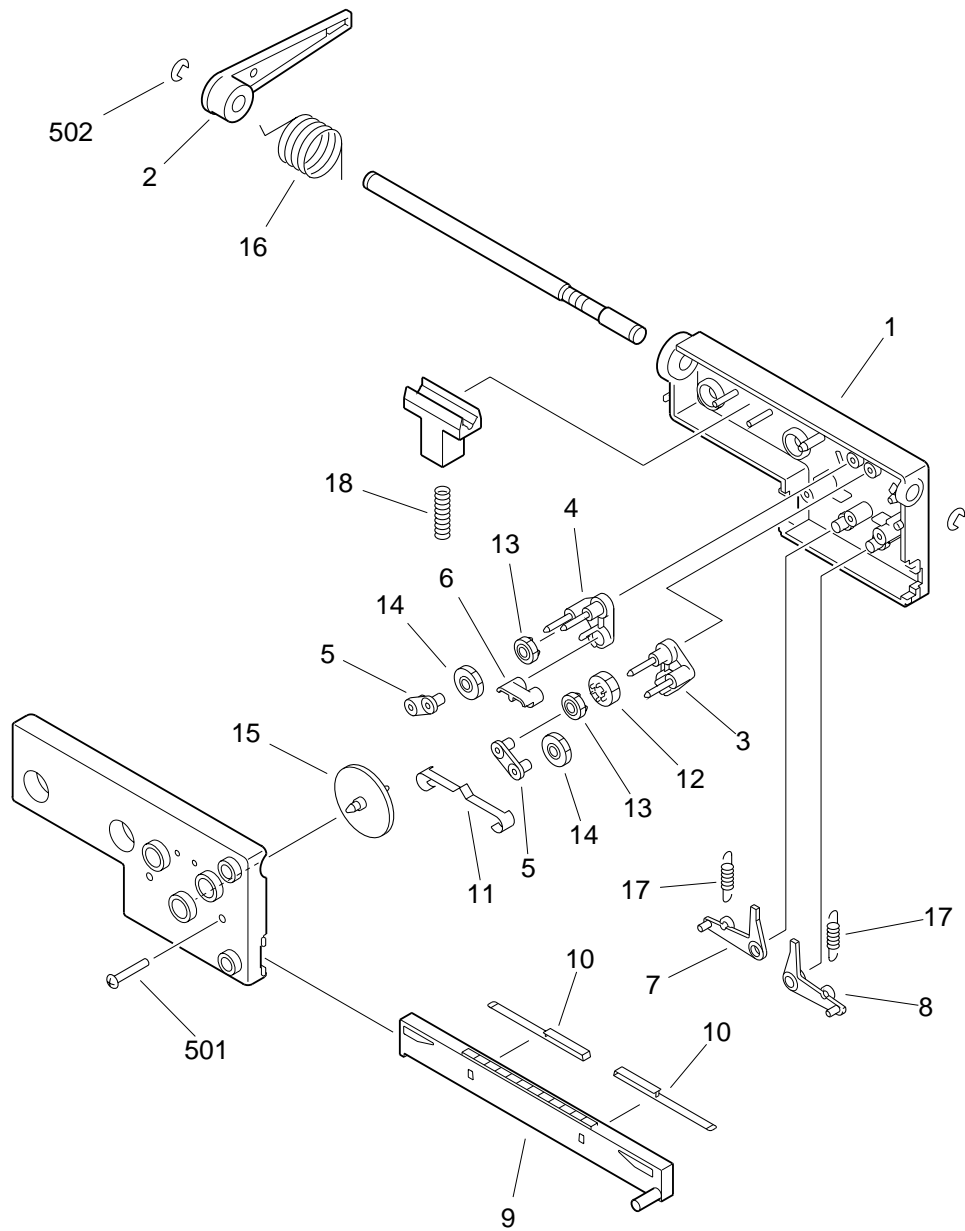


NOTE1: This assembly is included in the assembly shown in Figure 640.
 NOTE2: This assembly does not include the part shown with key No. 502.

FIGURE & KEY NO.	PART NUMBER	RANK	QTY	DESCRIPTION	SERIAL NUMBER / REMARKS
645 -	FG6 - 2011 - 000		1	BUFFER ASSEMBLY	SEE NOTE 1
1	FA4 - 0207 - 000		1	HOLDER, OIL SEAL	
2	FB4 - 1842 - 000		8	BLADE, STIRRING	
3	FB4 - 1849 - 000		1	SPRING, TORSION	
4	FB4 - 1850 - 000		1	MOUNT, SCRAPER	
5	FB4 - 1856 - 000		1	ROLLER, MAGNET	
6	FB4 - 1857 - 000		1	BLADE, STIRRING	
7	FB4 - 1858 - 000		1	BLADE, STIRRING	
8	FF2 - 5730 - 000		1	BUSHING	
9	FF5 - 7695 - 000		1	COVER, BUFFER	
10	FG6 - 1891 - 000		1	CABLE, BUFFER UNIT	J138-143
10 A	VS1 - 5057 - 002		2	CONNECTOR, SNAP TIGHT	J141,143
10 B	VS1 - 5057 - 003		3	CONNECTOR, SNAP TIGHT	J139,140,142
10 C	WT2 - 5565 - 000		1	CLAMP, CABLE	
11	FH6 - 1543 - 000		1	MOTOR, DC 16.8W	M18 J143
12	FH7 - 5840 - 000		1	CLUTCH, ELECTROMAGNETIC	CL1 J141
13	FH7 - 7337 - 000		2	SENSOR, TONER	TS1,2 J139,140
14	FS1 - 1202 - 000		1	BUSHING	
15	FS1 - 1503 - 000		1	BUSHING	
16	FS2 - 0875 - 000		1	GEAR, 16T	
17	FS6 - 0988 - 000		1	GEAR, 14T/27T	
18	FS6 - 0989 - 000		1	GEAR, 18T/19T	
19	FS6 - 0990 - 000		1	GEAR, 14T/27T	
20	X71 - 9310 - 000		2	SEAL, OIL	
501	XB1 - 2300 - 409		13	SCREW,MACH.,TRUSS HEAD,M3X4	
502	XB1 - 2300 - 409		4	SCREW,MACH.,TRUSS HEAD,M3X4	SEE NOTE 2
503	XB1 - 2300 - 809		1	SCREW,MACH.,TRUSS HEAD,M3X8	
504	XB4 - 7300 - 809		9	SCREW,TAPPING,TRUSS HEAD,M3X8	
505	XD1 - 1103 - 139		4	SHIM	
506	XD1 - 1106 - 221		1	SHIM	

FIGURE & KEY NO.	PART NUMBER	R A N K	Q' T Y	DESCRIPTION	SERIAL NUMBER / REMARKS
645 - 507	XD2 - 1100 - 502		2	RING,E	
508	XD2 - 1100 - 642		2	RING,E	
509	XD2 - 2100 - 602		3	RING,GRIP	

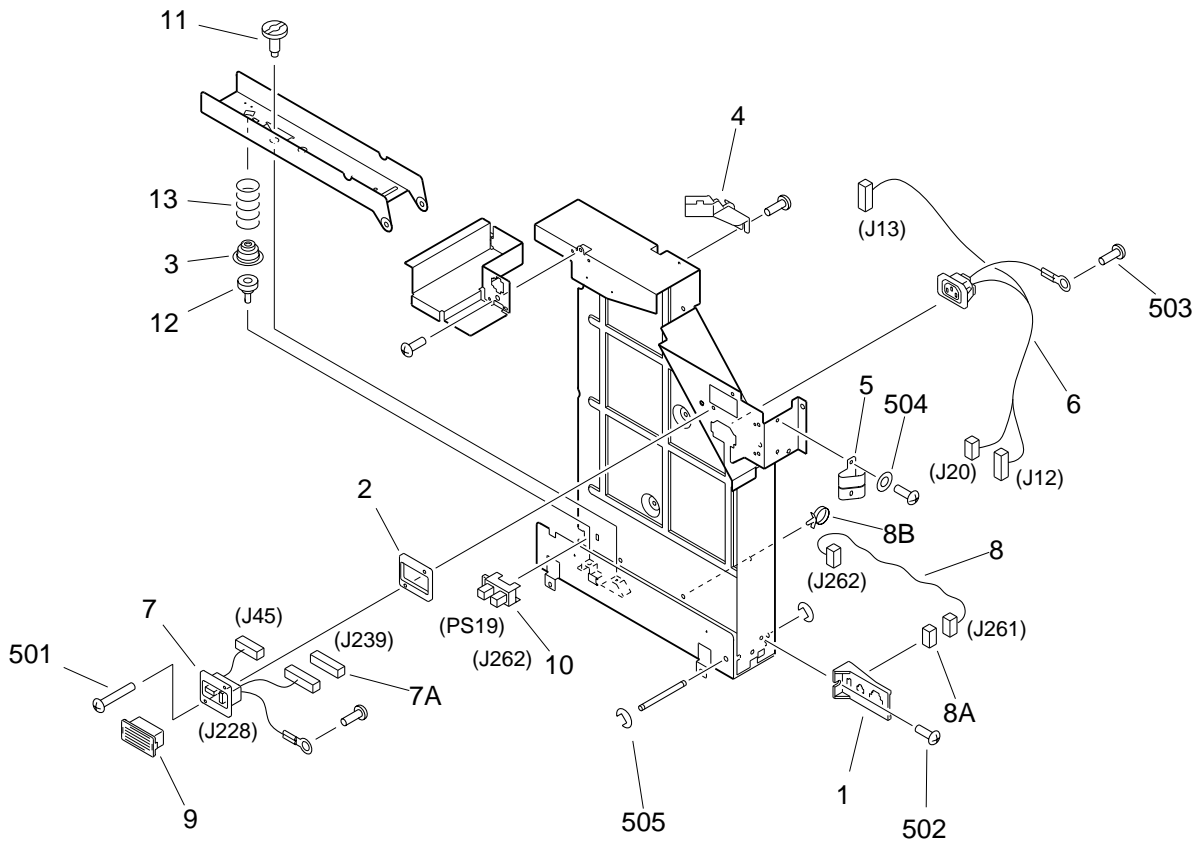
FIGURE 720 SEPARATION CLAW DRIVE ASSEMBLY



NOTE: This assembly is included in the assembly shown in Figure 600.

FIGURE & KEY NO.	PART NUMBER	R A N K	Q' T Y	DESCRIPTION	SERIAL NUMBER / REMARKS
720 -	FG1 - 3472 - 000		1	SEPARATION CLAW DRIVE ASSEMBLY	SEE NOTE
1	FA3 - 2471 - 000		1	BASE	
2	FA3 - 2472 - 000		1	LEVER	
3	FA3 - 2473 - 000		1	LINK, RIGHT	
4	FA3 - 2474 - 000		1	LINK, LEFT	
5	FA3 - 2475 - 000		2	BRACE	
6	FA3 - 2476 - 000		1	LINK	
7	FA3 - 2477 - 000		1	LEVER, RIGHT	
8	FA3 - 2478 - 000		1	LEVER, LEFT	
9	FA3 - 2479 - 000		1	RACK	
10	FA3 - 2480 - 000		2	SPRING, LEAF	
11	FA3 - 2481 - 000		1	SPRING, LEAF	
12	FS2 - 0088 - 000		1	GEAR, 20T	
13	FS2 - 0089 - 000		2	GEAR, 20T	
14	FS2 - 0090 - 000		2	GEAR, 25T	
15	FS2 - 0091 - 000		1	GEAR, 60T	
16	FS2 - 2001 - 000		1	SPRING, TORSION	
17	FS2 - 2002 - 000		2	SPRING, TENSION	
18	FS2 - 2058 - 000		1	SPRING, COMPRESSION	
501	XB4 - 7301 - 209		2	SCREW,TAPPING,TRUSS HEAD,M3X12	
502	XD2 - 1100 - 502		2	RING,E	

FIGURE 770 WASTE TONER ASSEMBLY



NOTE: This assembly does not include the part shown with key No.9.

FIGURE & KEY NO.	PART NUMBER	RANK	QTY	DESCRIPTION	SERIAL NUMBER / REMARKS
770 -	FG6 - 7747 - 000		1	WASTE TONER ASSEMBLY	
1	FB4 - 1443 - 000		1	MOUNT, AC CONNECTOR	
2	FB4 - 1542 - 000		1	SPACER, LATTICE CABLE	
3	FB4 - 9511 - 000		1	SUPPORT, SPRING	
4	FB4 - 9799 - 000		1	GUIDE, CABLE	
5	FB6 - 0783 - 000		1	SPRING, LEAF, GROUNDING	
6	FG6 - 1818 - 000		1	CABLE, MAIN SWITCH CONNECTING	J12,13,20
7	FG6 - 1819 - 000		1	CABLE, LATTICE, 3.5K DECK	J45,228,239
7 A	VS1 - 5057 - 007		1	CONNECTOR, SNAP TIGHT	J239
8	FG6 - 1820 - 000		1	CABLE, WASTE TONER SENSOR	J261,262
8 A	VS1 - 5057 - 003		1	CONNECTOR, SNAP TIGHT	J261
8 B	WT2 - 5565 - 000		4	CLAMP, CABLE	
9	FH2 - 6552 - 000		1	COVER, CONNECTOR	SEE NOTE
10	FH7 - 7462 - 000		1	PHOTO-INTERRUPTER	PS19 J262
11	FS2 - 9410 - 000		1	SCREW, STEPPED, M4X12.7	
12	FS5 - 9398 - 000		1	SCREW, SIDE REGIST., M3X8	
13	FS6 - 2760 - 000		1	SPRING, COMPRESSION	
501	XB1 - 2301 - 407		2	SCREW,MACH.,TRUSS HEAD,M3X14	
502	XB1 - 2400 - 609		5	SCREW,MACH.,TRUSS HEAD,M4X6	
503	XB2 - 7400 - 607		2	SCREW,W/WASHER,M4X6	
504	XD1 - 1104 - 138		2	SHIM	
505	XD2 - 1100 - 502		2	RING,E	

FIGURE 775 WASTE TONER PIPE ASSEMBLY

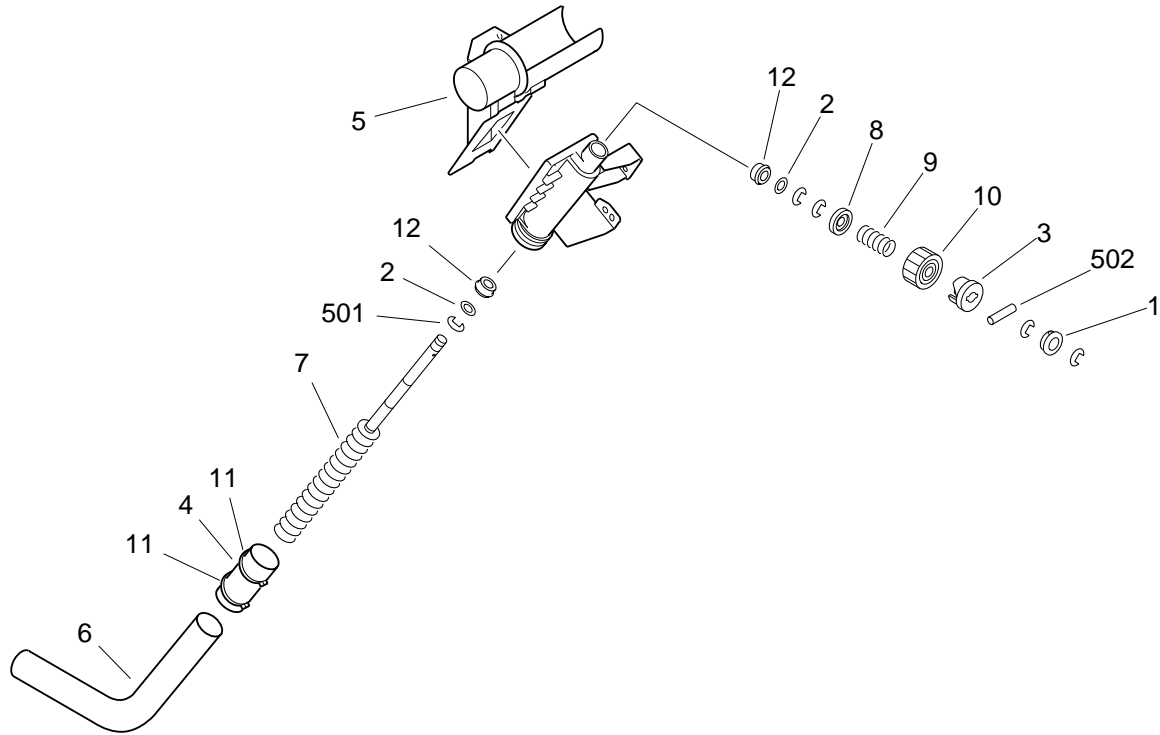
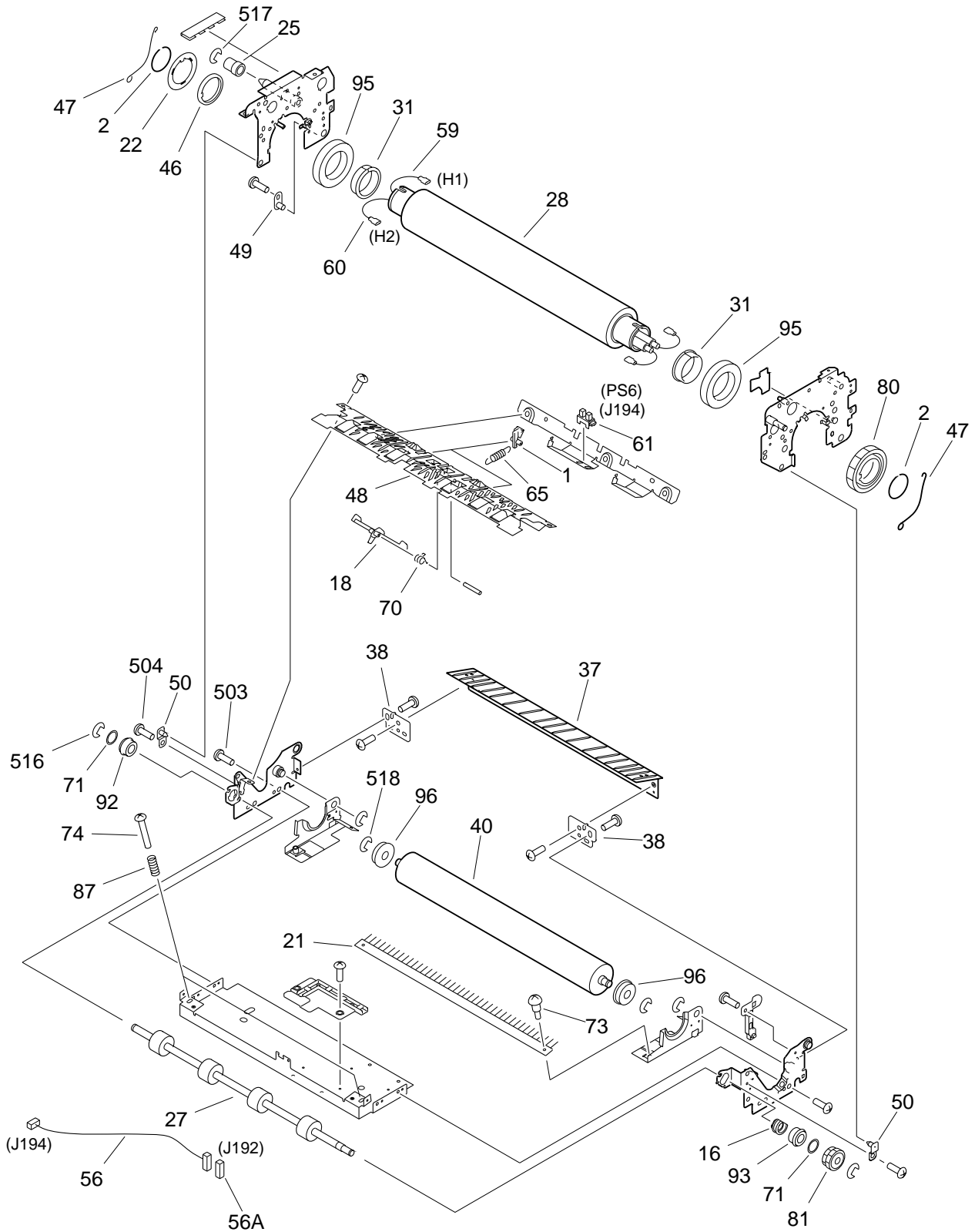


FIGURE & KEY NO.	PART NUMBER	RANK	QTY	DESCRIPTION	SERIAL NUMBER / REMARKS
775 -	FG6 - 2020 - 020		1	WASTE TONER PIPE ASSEMBLY	
1	FA9 - 2112 - 000		1	BUSHING	
2	FB2 - 6285 - 000		2	SHIM	
3	FB2 - 7981 - 000		1	CAM	
4	FB2 - 8402 - 000		1	TUBE	
5	FB4 - 1792 - 000		1	CAP, WASTE TONER, 1	
6	FB4 - 1794 - 000		1	PIPE, WASTE TONER	
7	FB4 - 1795 - 000		1	SHAFT, WASTE TONER	
8	FB4 - 1797 - 000		1	SUPPORT, SPRING	
9	FS6 - 2756 - 000		1	SPRING, COMPRESSION	
10	FS7 - 0027 - 000		1	GEAR, 26T	
11	X62 - 7921 - 000		2	CLAMP, CABLE	
12	XG9 - 0211 - 000		2	BALL BEARING, MF128ZZ1MC3D4M	
501	XD2 - 1100 - 642		4	RING,E	
502	XD3 - 2200 - 182		1	PIN,DOWEL	

FIGURE 810 FIXING ASSEMBLY(1/2)



NOTE: This assembly is included in the assembly shown in Figure 320.

FIGURE 810 FIXING ASSEMBLY(2/2)

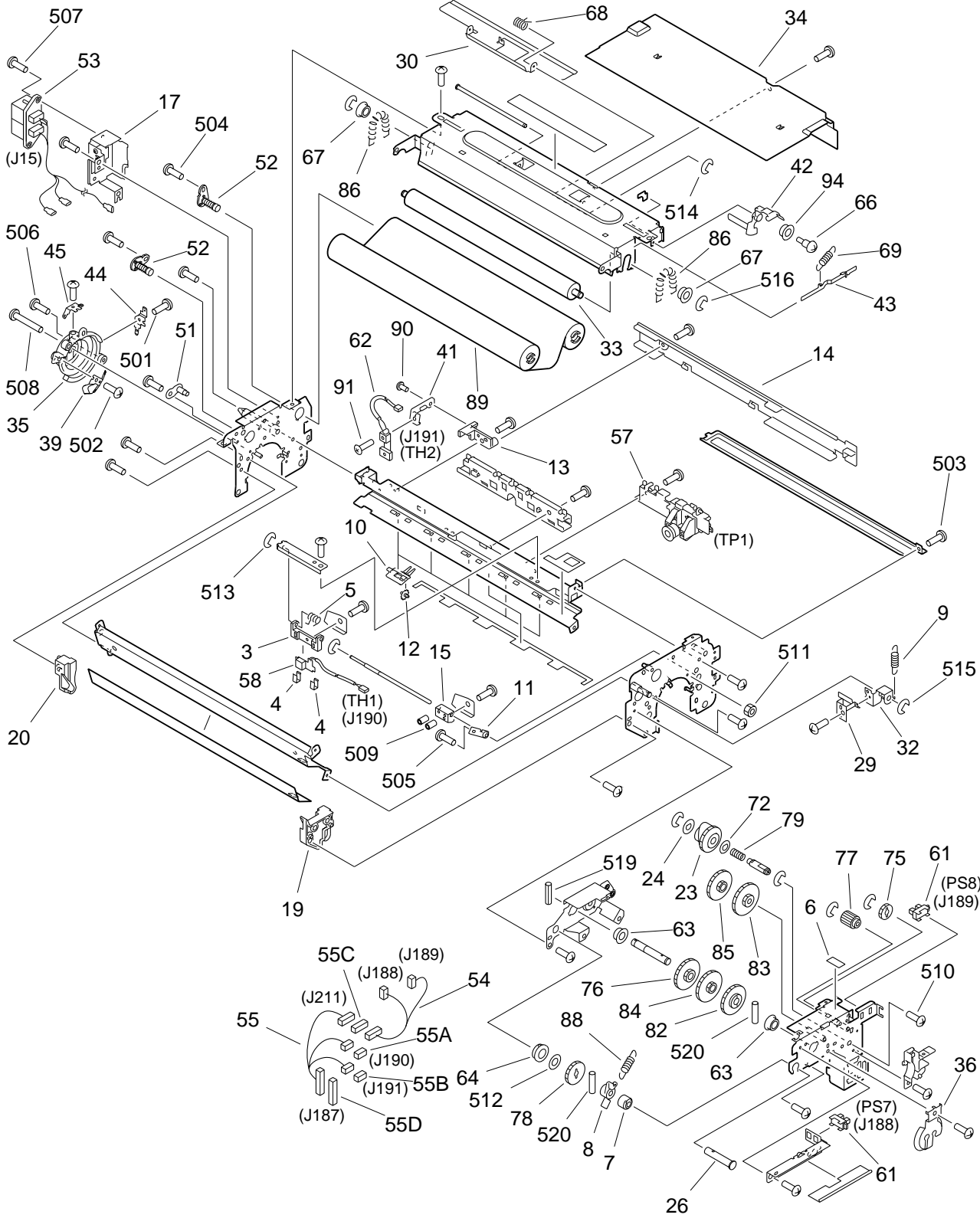


FIGURE & KEY NO.	PART NUMBER	RANK	QTY	DESCRIPTION	SERIAL NUMBER / REMARKS
810 - 1 2	FG6 - 8042 - 000		1	FIXING ASSEMBLY	200V SEE NOTE
	FG6 - 8735 - 000		1	FIXING ASSEMBLY	208V SEE NOTE
	FG6 - 8043 - 000		1	FIXING ASSEMBLY	220/240V SEE NOTE
	FA2 - 9037 - 000		2	CLAW, SEPARATION, LOWER	
	FA3 - 8894 - 000		2	RING, RETAINING	
3	FA5 - 4400 - 000		1	MOUNT, THERMISTOR	
4	FA5 - 4403 - 000		2	SPRING, LEAF	
5	FA6 - 8003 - 000		1	SPRING, TORSION	
6	FA9 - 3822 - 000		1	LABEL, DISCRIMINATE	
7	FB1 - 6833 - 000		1	BUSHING	
8	FB2 - 7228 - 000		1	ARM, ONE-WAY	
9	FB2 - 7238 - 000		1	SPRING, TENSION	
10	FB2 - 7240 - 000		5	MOUNT, ROWEL	
11	FB2 - 7261 - 000		1	BUSHING	
12	FB2 - 7264 - 000		5	ROWEL	
13	FB3 - 8409 - 000		1	HOLDER, THERMISTOR, 2	
14	FB3 - 8412 - 000		1	COVER, CROSSMEMBER	
15	FB3 - 9372 - 000		1	BLOCK, MOUNTING	
16	FB4 - 2159 - 000		1	HOLDER, BUSHING	
17	FB4 - 2183 - 000		1	MOUNT, AC CONNECTOR, 1	
18	FB4 - 2191 - 000		1	LEVER, PAPER JAM SENSOR	
19	FB4 - 2195 - 020		1	BLOCK, CLAW STOP, FRONT	
20	FB4 - 2196 - 020		1	BLOCK, CLAW STOP, REAR	
21	FB4 - 2214 - 000		1	ELIMINATOR, STATIC CHARGE	
22	FB4 - 2239 - 000		1	RING, BIAS	
23	FB4 - 9360 - 000		1	GEAR CAM, 50T	
24	FB4 - 9361 - 000		1	PLATE, FRICTION	
25	FB4 - 9524 - 000		1	COLLAR	
26	FB5 - 6825 - 000		1	SHAFT, ONE-WAY	
27	FB5 - 6833 - 000		1	ROLLER, INTERNAL DELIVERY	

FIGURE & KEY NO.	PART NUMBER	RANK	QTY	DESCRIPTION	SERIAL NUMBER / REMARKS
810 - 28	FB5 - 6930 - 000		1	ROLLER, FIXING	
29	FB5 - 6931 - 000		1	PLATE, LIMIT, ARM	
30	FB5 - 6932 - 000		1	SUPPORT, WEB RETAINER	
31	FB5 - 6934 - 000		2	BUSHING	
32	FB5 - 6935 - 000		1	PLATE, LIMIT, ARM, 2	
33	FB5 - 6936 - 000		1	ROLLER, CLEANING	
34	FB5 - 6941 - 000		1	COVER, FIXING, UPPER	
35	FB5 - 6944 - 000		1	HOLDER, HEATER	
36	FB5 - 6945 - 000		1	SUPPORT, HEATER	
37	FB5 - 6946 - 000		1	GUIDE, INLET	
38	FB5 - 6948 - 000		2	PLATE, HEIGHT ADJUSTING	
39	FB5 - 6951 - 000		1	TERMINAL, BIAS	
40	FB5 - 6952 - 000		1	ROLLER, PRESSURE	
41	FB5 - 6957 - 000		1	HOLDER, THERMISTOR, 1	
42	FB5 - 6973 - 000		1	LEVER, PAPER SENSOR	
43	FB5 - 7077 - 000		1	PLATE, LIMIT, LEVER	
44	FB5 - 7558 - 000		1	TERMINAL, HEATER, LARGE	
45	FB5 - 7559 - 000		1	TERMINAL, HEATER, SMALL	
46	FB5 - 7560 - 000		1	COLLAR, FIXING ROLLER	
47	FB5 - 7562 - 000		2	SUPPORT, BEARING	
48	FB5 - 7660 - 000		1	GUIDE, DELIVERY, LOWER	
49	FF5 - 7860 - 000		1	PIN, POSITIONING	
50	FF6 - 1082 - 000		2	SUPPORT, FIXING POSITION	
51	FF6 - 1087 - 000		1	PLATE, PIN	
52	FF6 - 1851 - 000		2	HOLDER, WEB	
53	FG6 - 1875 - 000		1	CABLE, AC, FIXING/FEEDER	J15
54	FG6 - 1880 - 000		1	CABLE, CLEANING BELT SENSOR	J188,189,211
55	FG6 - 1881 - 000		1	CABLE, DC, FIXING, UPPER	J187,190,191,211
55 A	VS1 - 5057 - 002		1	CONNECTOR, SNAP TIGHT	J190
55 B	VS1 - 5057 - 003		1	CONNECTOR, SNAP TIGHT	J191

FIGURE & KEY NO.	PART NUMBER	RANK	QTY	DESCRIPTION	SERIAL NUMBER / REMARKS
810 - 55 C	VS1 - 5057 - 006		1	CONNECTOR, SNAP TIGHT	J211
55 D	VS1 - 6318 - 010		1	CONNECTOR, SNAP TIGHT	J187
56	FG6 - 7200 - 000		1	CABLE, DC, FIXING	J192,194
56 A	VS1 - 6318 - 006		1	CONNECTOR, SNAP TIGHT	J192
57	FG6 - 7745 - 000		1	THERMOSWITCH HOLDER UNIT	TP1
58	FG6 - 7748 - 020		1	THERMISTOR UNIT	TH1 J190
59	FH7 - 4719 - 000		1	HEATER, HALOGEN	200/208V H1
	FH7 - 4720 - 000		1	HEATER, HALOGEN	220/240V H1
60	FH7 - 4723 - 000		1	HEATER, HALOGEN	200/208V H2
	FH7 - 4724 - 000		1	HEATER, HALOGEN	220/240V H2
61	FH7 - 7462 - 000		3	PHOTO-INTERRUPTER	PS6,7,8 J194,188,189
62	FH7 - 7464 - 000		1	SUB THERMISTOR ASSEMBLY	TH2 J191
63	FS1 - 1449 - 000		2	BUSHING	
64	FS1 - 1569 - 000		1	BUSHING	
65	FS1 - 2834 - 000		2	SPRING, TENSION	
66	FS1 - 9051 - 000		1	SCREW, STEPPED, M3	
67	FS2 - 1256 - 000		2	BUSHING	
68	FS3 - 2053 - 000		1	SPRING, TORSION	
69	FS5 - 2940 - 000		1	SPRING, TENSION	
70	FS5 - 2950 - 000		1	SPRING, TORSION	
71	FS5 - 6487 - 000		2	SHIM	
72	FS5 - 6583 - 000		2	SPACER	
73	FS5 - 9619 - 000		4	SCREW, STEPPED, M3	
74	FS5 - 9752 - 000		2	SCREW, M5	
75	FS6 - 0103 - 000		1	GEAR, 28T	
76	FS6 - 0105 - 000		1	GEAR, 22T/60T	
77	FS6 - 0106 - 000		1	GEAR, 23T	
78	FS6 - 0134 - 000		1	GEAR, 44T	
79	FS6 - 2990 - 000		1	SPRING, COMPRESSION	
80	FS7 - 0007 - 000		1	GEAR, 52T	

FIGURE & KEY NO.	PART NUMBER	R A N K	Q' T Y	DESCRIPTION	SERIAL NUMBER / REMARKS
810 - 81	FS7 - 0008 - 000		1	GEAR, 23T	
82	FS7 - 0891 - 000		1	GEAR, 60T	
83	FS7 - 0893 - 000		1	GEAR, 22T/63T	
84	FS7 - 0894 - 000		1	GEAR, 19T/63T	
85	FS7 - 0895 - 000		1	GEAR, 19T/60T	
86	FS7 - 2523 - 000		2	SPRING, TENSION	
87	FS7 - 2524 - 000		2	SPRING, COMPRESSION	
88	FS7 - 2530 - 000		1	SPRING, TENSION	
89	FY1 - 1157 - 000		1	ROLLER, CLEANING BELT	
90	XA9 - 0807 - 000		1	SCREW, TP, M3X6	
91	XA9 - 0925 - 000		1	SCREW,MACH.,TRUSS HEAD,M3X10	
92	XG9 - 0211 - 000		1	BALL BEARING, MF128ZZ1MC3D4M	
93	XG9 - 0366 - 000		1	BEARING, BALL	
94	XG9 - 0406 - 000		1	BEARING, BALL	
95	XG9 - 0421 - 000		2	BEARING, BALL	
96	XG9 - 0447 - 000		2	BEARING, BALL	
501	XB1 - 2300 - 409		4	SCREW,MACH.,TRUSS HEAD,M3X4	
502	XB1 - 2300 - 609		3	SCREW,MACH.,TRUSS HEAD,M3X6	
503	XB1 - 2400 - 409		7	SCREW,MACH.,TRUSS HEAD,M4X4	
504	XB1 - 2400 - 609		34	SCREW,MACH.,TRUSS HEAD,M4X6	
505	XB1 - 2400 - 809		3	SCREW,MACH.,TRUSS HEAD,M4X8	
506	XB1 - 2401 - 009		2	SCREW,MACH.,TRUSS HEAD,M4X10	
507	XB2 - 8401 - 009		5	SCREW,W/WASHER,M4X10	
508	XB2 - 8401 - 209		2	SCREW,W/WASHER,M4X12	
509	XB6 - 2300 - 408		2	SETSCREW,M3X4	
510	XB6 - 7300 - 609		1	SCREW,TP,M3X6	
511	XB7 - 2200 - 409		1	NUT,HEX,M4	
512	XD1 - 1106 - 222		1	SHIM	
513	XD2 - 1100 - 242		1	RING,E	
514	XD2 - 1100 - 322		5	RING,E	

FIGURE & KEY NO.	PART NUMBER	R A N K	Q' T Y	DESCRIPTION	SERIAL NUMBER / REMARKS
810 - 515	XD2 - 1100 - 502		10	RING,E	
516	XD2 - 1100 - 642		6	RING,E	
517	XD2 - 1100 - 802		1	RING,E	
518	XD2 - 1200 - 902		2	RING, E	
519	XD3 - 1300 - 142		1	PIN,SPRING	
520	XD3 - 2200 - 122		2	PIN,DOWEL	

FIGURE 900 CONTROLLER BOX ASSEMBLY

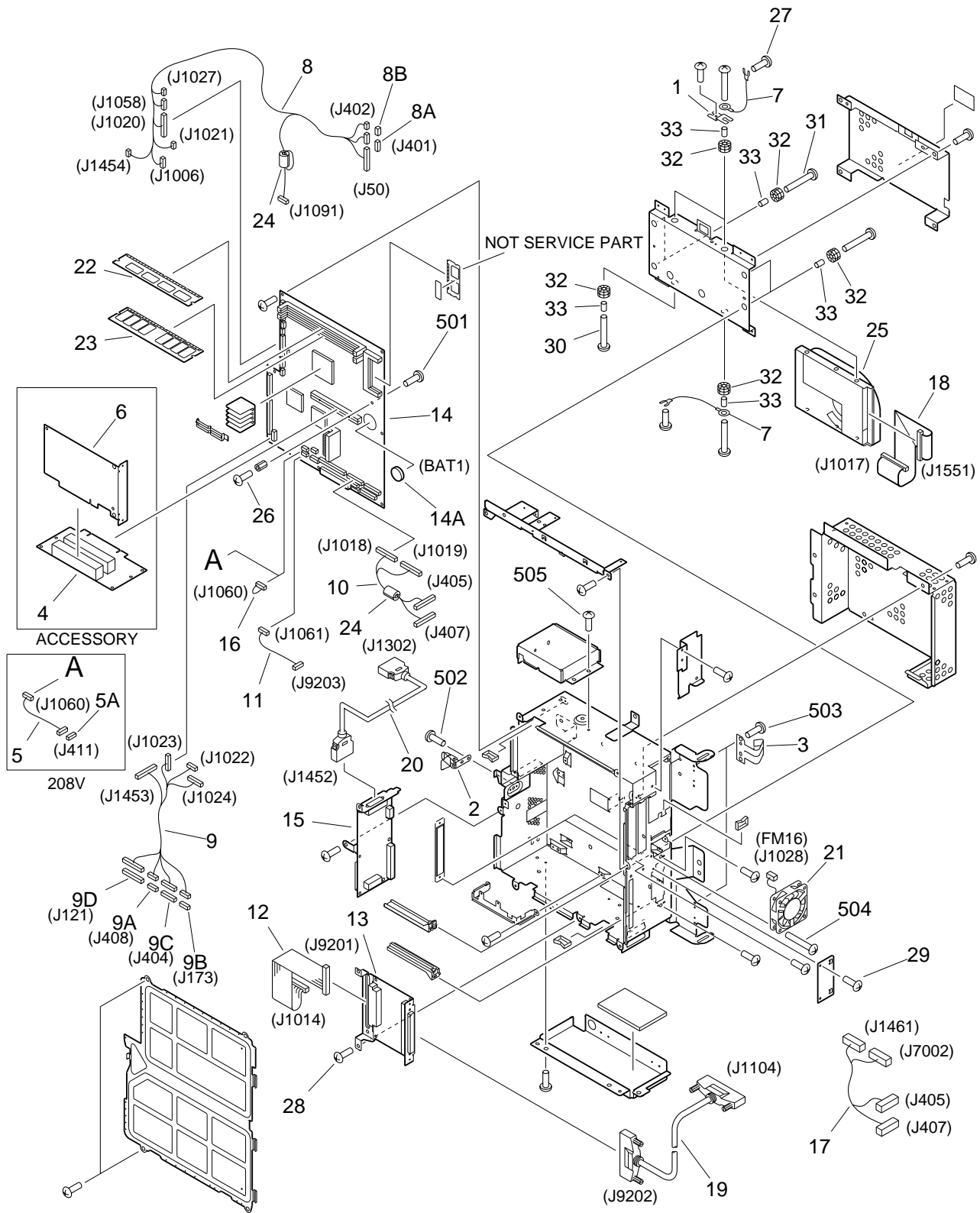
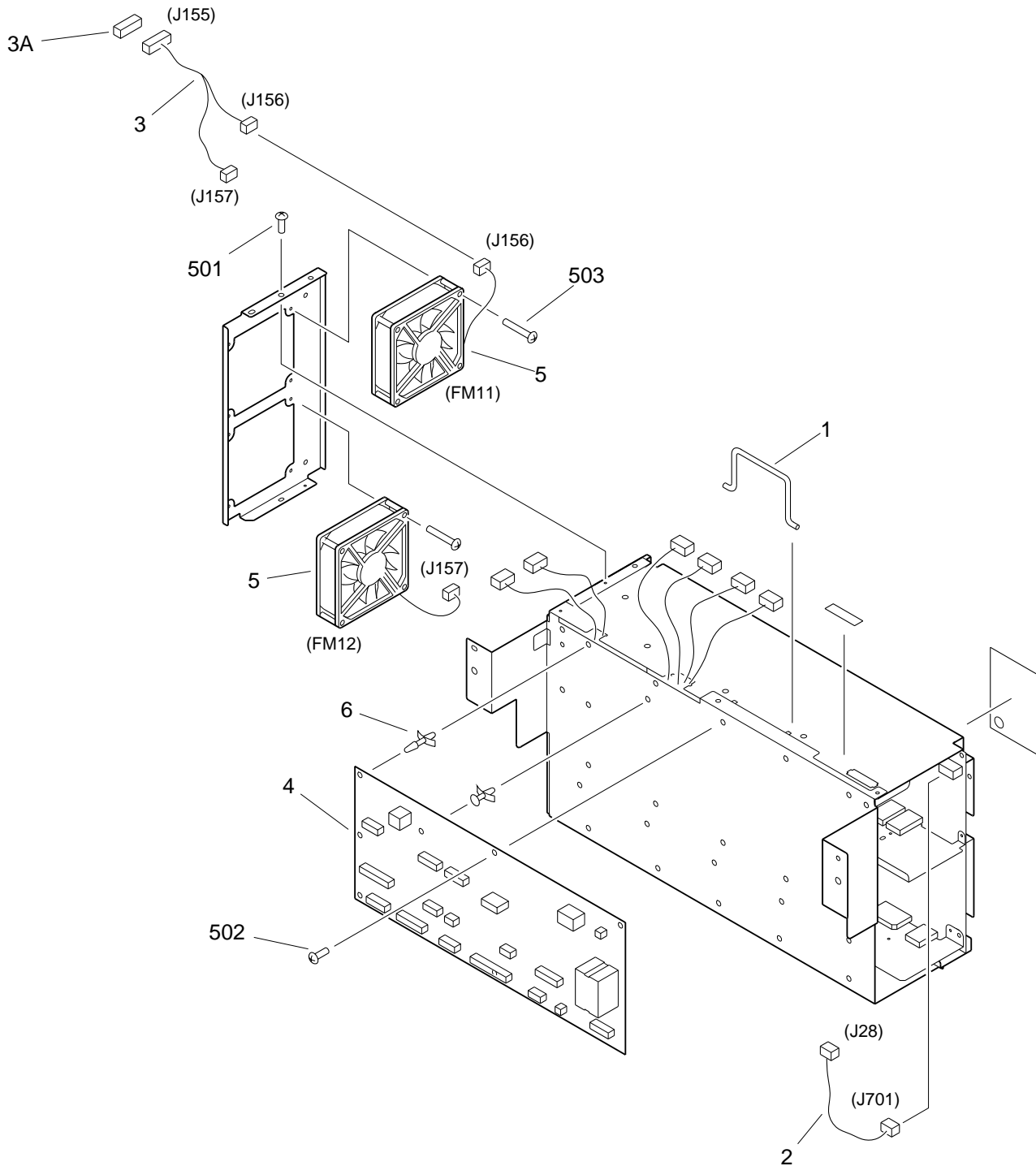


FIGURE & KEY NO.	PART NUMBER	RANK	QTY	DESCRIPTION	SERIAL NUMBER / REMARKS
900 -	NPN		RF	CONTROLLER BOX ASSEMBLY	
1	FB5 - 4010 - 000		1	GROUNDING PLATE, HARD DISK	
2	FB5 - 8482 - 000		1	HOOK, COVER	
3	FB6 - 0782 - 000		2	SPRING, LEAF	
4	FG3 - 1745 - 000		1	RAISER BOARD PCB ASSEMBLY	ACCESSORY
5	FG3 - 2662 - 000		1	CABLE, CCV CONNECTING	208V J411,1060
5 A	VS1 - 5057 - 004		1	CONNECTOR, SNAP TIGHT	208V J411
6	FG3 - 2764 - 000		1	RESOLUTION CONV. PCB ASSEMBLY	ACCESSORY
7	FG6 - 6853 - 000		2	CABLE, GROUNDING	
8	FG6 - 7216 - 000		1	CABLE, CONTROLLER	J50,401,402,1006 J1020,1021,1027,1058
8 A	VS1 - 6318 - 004		1	CONNECTOR, SNAP TIGHT	J1091,1454 J401
8 B	VS1 - 6318 - 009		1	CONNECTOR, SNAP TIGHT	J402
9	FG6 - 7217 - 000		1	CABLE, PIXEL/LINE CHANGE	J121,173,404,408 J1022-1024,1453
9 A	VS1 - 6318 - 005		1	CONNECTOR, SNAP TIGHT	J408
9 B	VS1 - 6318 - 007		1	CONNECTOR, SNAP TIGHT	J173
9 C	VS1 - 6318 - 011		1	CONNECTOR, SNAP TIGHT	J404
9 D	VS1 - 6319 - 028		1	CONNECTOR, SNAP TIGHT	J121
10	FG6 - 7218 - 000		1	CABLE, CONTROL PANEL	J405,407,1018,1019
11	FG6 - 7222 - 000		1	CABLE, DDI-S POWER SUPPLY	J1061,9203
12	FG6 - 7258 - 000		1	CABLE, FLAT	J1014,9201
13	FG6 - 7266 - 000		1	LVDS PCB ASSEMBLY	
14	FG6 - 7278 - 050		1	MAIN CONTROLLER PCB ASS'Y	
14 A	WK1 - 5019 - 000		1	BATTERY,LITHIUM,CR2477-HE6H 3V	BAT1
15	FG6 - 7281 - 000		1	PIXEL/LINE CHANGE PCB ASSEMBLY	
16	FG6 - 7284 - 000		1	CABLE, CC-IV	J1060
17	FG6 - 8614 - 000		1	CABLE, CONTROL PANEL CONNECT	J405,407,1461,7002
18	FG6 - 8625 - 000		1	CABLE, HARD DISK	J1017,1551
19	FH2 - 6756 - 000		1	CABLE, DDI-S INTERFACE	J1104,9202
20	FH2 - 6900 - 000		1	CABLE, SHIELD	J1302,1452

FIGURE & KEY NO.	PART NUMBER	RANK	QTY	DESCRIPTION	SERIAL NUMBER / REMARKS
900 - 21	FH6 - 1878 - 000		1	FAN	FM16 J1028
22	WA7 - 1497 - 000		1	DIMM, MT4LSDT864AG-133	
23	WA7 - 1498 - 000		1	DIMM, MT8LSDT1664AG-133	
24	WE8 - 5851 - 000		2	CORE, FERRITE	
25	WM2 - 5171 - 000		1	HARD DISK DRIVE	
26	XA9 - 0465 - 000		1	SCREW, W/WASHER, M3X4	
27	XA9 - 0828 - 000		3	SCREW, W/STAR WASHER, M3X4	
28	XA9 - 0836 - 000		22	SCREW,TP,M3X6	
29	XA9 - 0836 - 000		2	SCREW,TP,M3X6	
30	XA9 - 1207 - 000		4	SCREW,M4X12	
31	XA9 - 1208 - 000		4	SCREW,M3X12	
32	XH9 - 0110 - 000		8	RUBBER, CUSHION	
33	XZ9 - 0503 - 000		8	SPACER	
501	XB1 - 2300 - 607		1	SCREW,MACH.,TRUSS HEAD,M3X6	
502	XB1 - 2300 - 607		2	SCREW,MACH.,TRUSS HEAD,M3X6	
503	XB1 - 2400 - 607		16	SCREW,MACH.,TRUSS HEAD,M4X6	
504	XB1 - 2402 - 009		2	SCREW,MACH.,TRUSS HEAD,M4X20	
505	XB6 - 7300 - 405		4	SCREW, TP, M3X4	

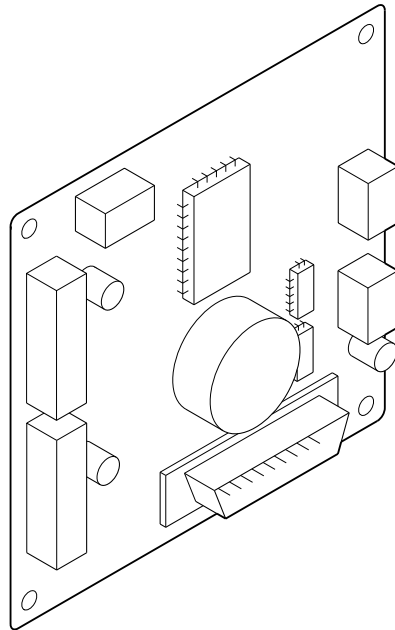
FIGURE 910 DC POWER SUPPLY PCB ASSEMBLY



NOTE: This assembly does not include the parts shown with key No. 4 and 501.

FIGURE & KEY NO.	PART NUMBER	RANK	QTY	DESCRIPTION	SERIAL NUMBER / REMARKS
910 -	FG6 - 8597 - 000		1	DC POWER SUPPLY PCB ASSEMBLY	200V
	FG6 - 8598 - 000		1	DC POWER SUPPLY PCB ASSEMBLY	208V
	FG6 - 7238 - 000		1	DC POWER SUPPLY PCB ASSEMBLY	220/240V
1	FB4 - 1612 - 000		1	HANDLE	
2	FG6 - 1882 - 000		1	CABLE, POWER SUPPLY INTERNAL	J28,701
3	FG6 - 1887 - 000		1	CABLE, POWER SUPPLY FAN	J155-157
3 A	VS1 - 6318 - 006		1	CONNECTOR, SNAP TIGHT	J155
4	FG6 - 7239 - 000		1	RELAY PCB ASSEMBLY	SEE NOTE
5	FH6 - 1546 - 000		2	FAN, COOLING	FM11,12 J156,157
6	VT2 - 0001 - 003		5	SUPPORT, PCB	
501	XB1 - 2300 - 607		1	SCREW,MACH.,TRUSS HEAD,M3X6	SEE NOTE
502	XB1 - 2300 - 607		1	SCREW,MACH.,TRUSS HEAD,M3X6	
503	XB1 - 2403 - 009		4	SCREW,MACH.,TRUSS HEAD,M4X30	
CT111	FH3 - 0666 - 000		1	TRANSFORMER	208/220/240V
	FH3 - 0666 - 000		1	TRANSFORMER	
CT301	FH3 - 0665 - 000		1	TRANSFORMER	
FU101	VD7 - 0646 - 301		1	FUSE	
L 4	FH3 - 7195 - 000		1	CHOKE COIL, SN14-8000	208/220/240V
L251	FH3 - 0889 - 000		1	COIL, CHOKE	
L351	FH3 - 0890 - 000		1	COIL, CHOKE	
L501	FH3 - 0688 - 000		1	COIL, CHOKE	
Q901	FH4 - 6040 - 000		2	IC, H8D2885, HYBRID	
T301	FH3 - 0744 - 000		1	TRANSFORMER	
T901	FH3 - 0888 - 000		1	TRANSFORMER	
T931	FH3 - 0859 - 000		1	TRANSFORMER	

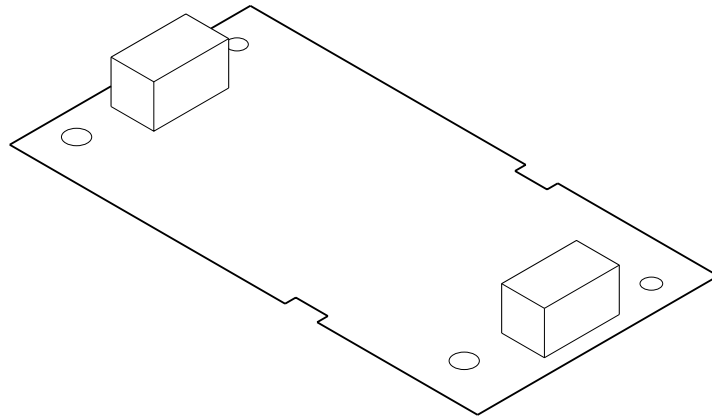
FIGURE 920 CONTROL PANEL CPU PCB ASSEMBLY



NOTE: This assembly is included in the assembly shown in Figure 130.

FIGURE & KEY NO.	PART NUMBER	RANK	QTY	DESCRIPTION	SERIAL NUMBER / REMARKS
920 -	FG3 - 2142 - 000		1	CONTROL PANEL CPU PCB ASSEMBLY	SEE NOTE
Q6 8 2 2	FH4 - 1380 - 000		1	IC, N010-0559-V123, MPU	

FIGURE 925 CONTROL PANEL INVERTER PCB ASSEMBLY



NOTE: This assembly is included in the assembly shown in Figure 130.

FIGURE & KEY NO.	PART NUMBER	RANK	QTY	DESCRIPTION	SERIAL NUMBER / REMARKS
925 -	FG6 - 7738 - 000		1	C. PANEL INVERTER PCB ASSEMBLY	SEE NOTE
FU1	VD7 - 1622 - 001		1	FUSE, 2A, 60V	
T1	FH3 - 0961 - 000		1	TRANSFORMER, INVERTER	

FIGURE 926 CONTROL PANEL PCB ASSEMBLY

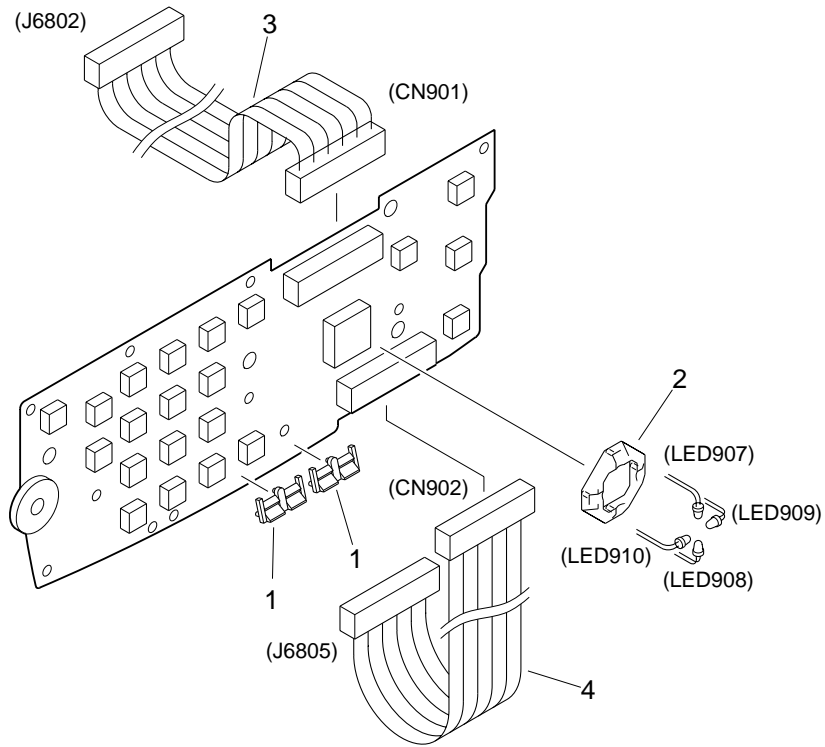


FIGURE & KEY NO.	PART NUMBER	RANK	QTY	DESCRIPTION	SERIAL NUMBER / REMARKS
926 -	FG3 - 2143 - 000		1	CONTROL PANEL PCB ASSEMBLY	
1	FB5 - 2174 - 000		2	HOLDER, LED, 2	
2	FB5 - 2195 - 000		1	HOLDER, LED	
3	FG3 - 2144 - 000		1	CABLE, KEY	J6802,CN901
4	FG3 - 2145 - 000		1	CABLE, LED	J6805,CN902
<hr/>					
LED907	FH6 - 0768 - 000		1	LED UNIT	
LED908	FH6 - 0768 - 000		1	LED UNIT	
LED909	FH6 - 0767 - 000		1	LED UNIT	
LED910	FH6 - 0767 - 000		1	LED UNIT	
VR901	FH6 - 0786 - 000		1	RESISTOR, VARIABLE	
<hr/>					

FIGURE 930 DC CONTROLLER PCB ASSEMBLY

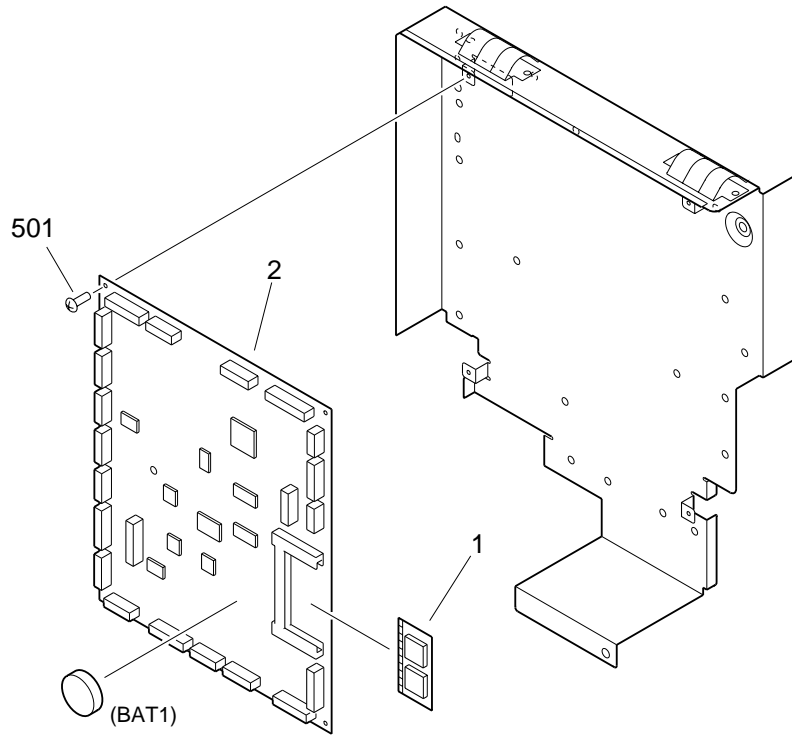


FIGURE & KEY NO.	PART NUMBER	RANK	QTY	DESCRIPTION	SERIAL NUMBER / REMARKS
930 -	NPN		RF	DC CONTROLLER PCB ASSEMBLY	
1	FG6 - 8599 - 020		1	DIMM ASS'Y	
2	FG6 - 8609 - 000		1	DC CONTROLLER PCB ASSEMBLY	
501	XB2 - 7400 - 607		4	SCREW,W/WASHER,M4X6	
BAT 1	WK1 - 0084 - 000		1	BATTERY, 3V, 550 MAH	
<hr/>					
FU103	VD5 - 0323 - 501		1	FUSE, 125V, 3.5A	
FU104	VD5 - 0323 - 501		1	FUSE, 125V, 3.5A	
FU105	VD5 - 0323 - 501		1	FUSE, 125V, 3.5A	
I C107	FH4 - 6156 - 000		1	IC, HG71G046A2R09FE,GATE ARRAY	
I C108	FH4 - 6123 - 000		1	IC, M38871M2-010GP, MCU	
<hr/>					
I C119	FH4 - 6104 - 000		1	IC, SLA517TH, GATE ARRAY	

FIGURE 935 READER CONTROL PCB ASSEMBLY

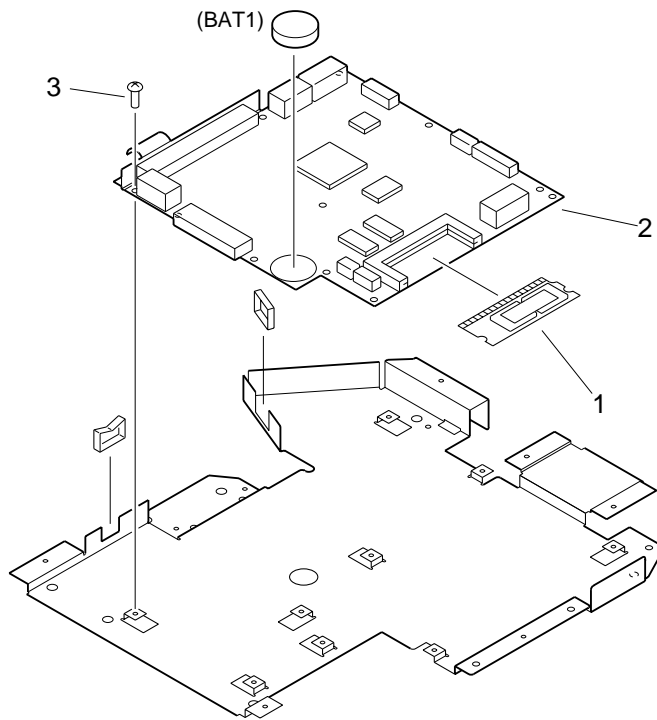
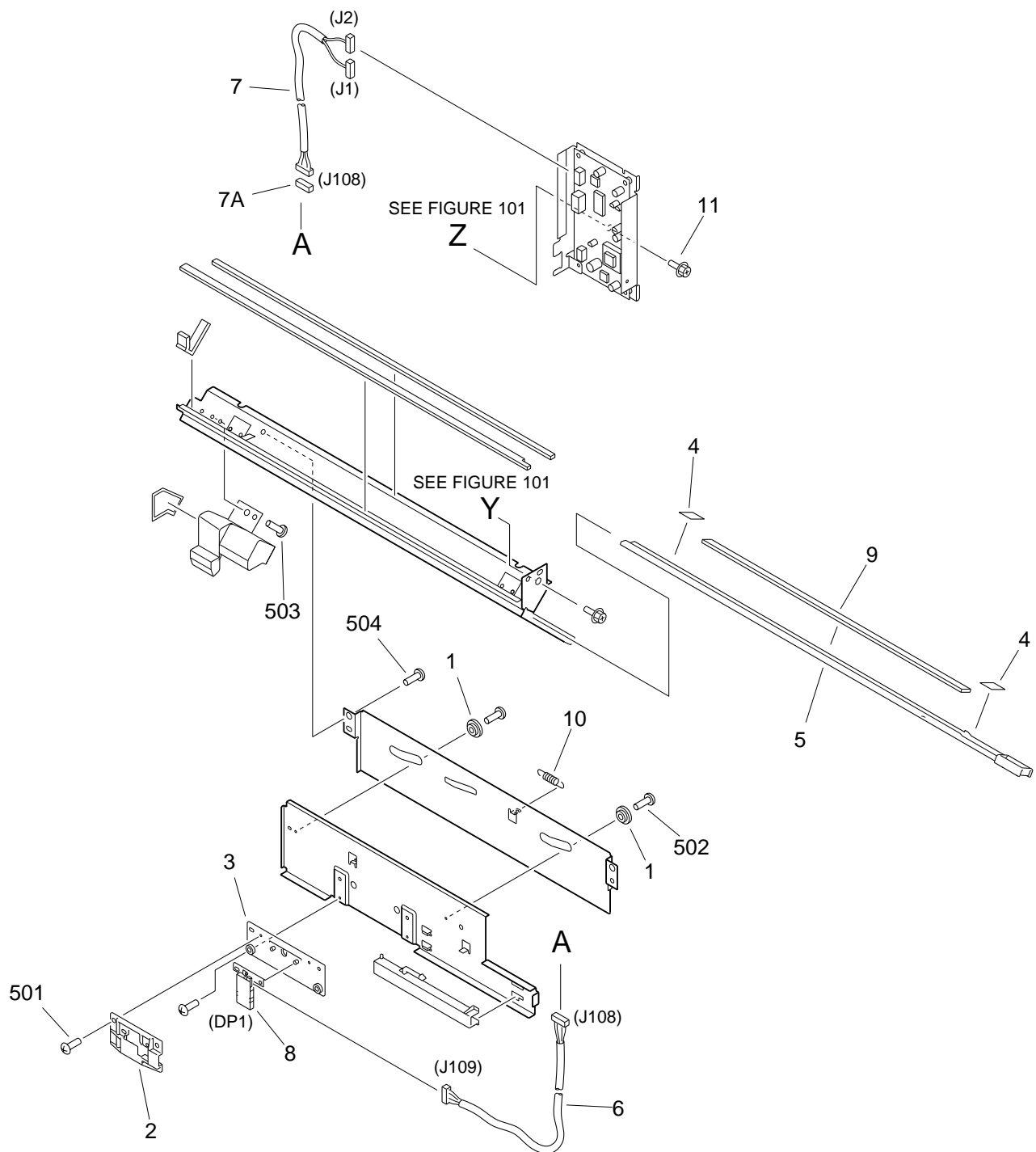


FIGURE & KEY NO.	PART NUMBER	RANK	QTY	DESCRIPTION	SERIAL NUMBER / REMARKS
935 -	NPN		RF	READER CONTROL PCB ASSEMBLY	
1	FG3 - 1690 - 100		1	DIMM ASS'Y, MBM29F040C-90PFTN	
2	FG6 - 7405 - 000		1	READER CONTROL PCB ASSEMBLY	
3	XA9 - 0265 - 000		2	SCREW,W/WASHER,TRUSS HEAD	
BAT1	WK1 - 0084 - 000		1	BATTERY, 3V, 550 MAH	
I C 4	FH4 - 6135 - 000		1	IC, UPD65454GN-121, GATE ARRAY	
I C 5	FH4 - 6123 - 000		1	IC, M38871M2-010GP, MCU	
I C 18	FH4 - 6136 - 000		1	IC, MB87L1870, GATE ARRAY	

FIGURE 940 POTENTIAL MEASURING PCB ASSEMBLY



NOTE: This assembly does not include the parts shown with key No. 4, 5, 9, and 11.

FIGURE & KEY NO.	PART NUMBER	RANK	QTY	DESCRIPTION	SERIAL NUMBER / REMARKS
940 -	FG6 - 7428 - 000		1	POTENTIAL MEASURING PCB ASS'Y	
1	FA4 - 8609 - 000		2	SPACER	
2	FB4 - 1947 - 000		1	MOUNT, SENSOR, UPPER	
3	FB4 - 1948 - 000		1	MOUNT, SENSOR, LOWER	
4	FB4 - 9346 - 000		2	TAPE, GLASS	SEE NOTE
5	FF5 - 7651 - 000		1	HOLDER, DUST-PROOF GLASS	SEE NOTE
6	FG6 - 1884 - 000		1	CABLE, SENSOR CONNECTING	J108,109
7	FG6 - 1885 - 000		1	CABLE, POTENTIAL SENSOR	J1,2,108
7 A	VS1 - 5057 - 006		1	CONNECTOR, SNAP TIGHT	J108
8	FH4 - 6019 - 000		1	POTENTIAL SENSOR UNIT	DP1 J109
9	FN5 - 4002 - 000		1	GLASS, DUST-PROOF	SEE NOTE
10	FS6 - 2759 - 000		1	SPRING, TENSION	
11	XA9 - 0643 - 000		2	SCREW,RS,M4X10	SEE NOTE
501	XB1 - 2300 - 609		4	SCREW,MACH.,TRUSS HEAD,M3X6	
502	XB1 - 2300 - 609		2	SCREW,MACH.,TRUSS HEAD,M3X6	
503	XB1 - 2400 - 609		1	SCREW,MACH.,TRUSS HEAD,M4X6	
504	XB1 - 2400 - 609		2	SCREW,MACH.,TRUSS HEAD,M4X6	
RA1	FH4 - 9181 - 000		1	RESISTOR ARRAY, 10MOHM	
T1	FH3 - 0242 - 000		1	TRANSFORMER	

FIGURE 945 INVERTER PCB ASSEMBLY

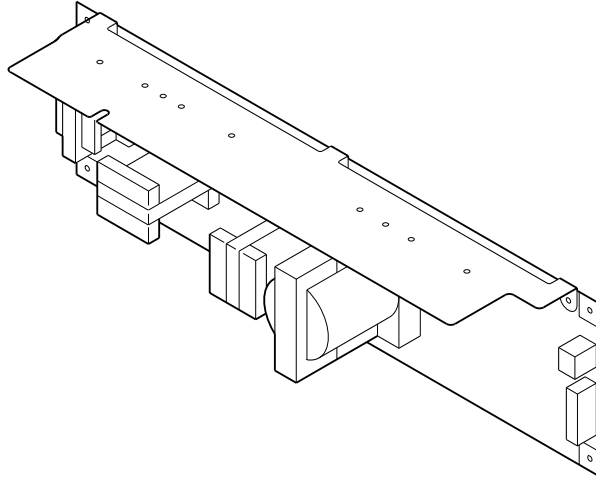


FIGURE & KEY NO.	PART NUMBER	RANK	QTY	DESCRIPTION	SERIAL NUMBER / REMARKS
945 -	FG6 - 2291 - 020		1	INVERTER PCB ASSEMBLY	
FU1001	VD7 - 1624 - 000		1	FUSE, 4A, 60V	
FU1002	VD7 - 1621 - 001		1	FUSE, 60V, 1A	
L1001	FH3 - 7203 - 000		1	INDUCTOR	
L1002	FH3 - 7202 - 000		1	INDUCTOR	
T1001	FH3 - 0879 - 000		1	TRANSFORMER	
T1002	FH3 - 0666 - 000		1	TRANSFORMER	
T1003	FH3 - 0881 - 000		1	TRANSFORMER	

FIGURE 960 AC DRIVER PCB ASSEMBLY

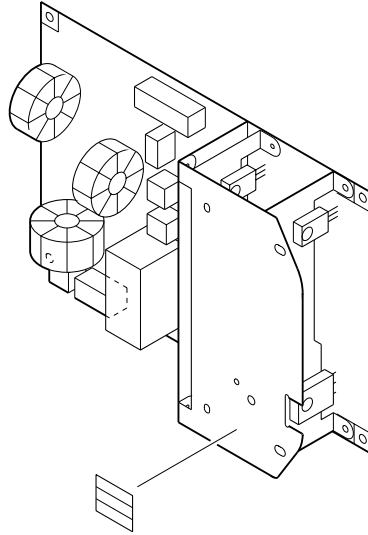


FIGURE & KEY NO.	PART NUMBER	RANK	QTY	DESCRIPTION	SERIAL NUMBER / REMARKS
960 -	FG6 - 7264 - 030		1	AC DRIVER PCB ASSEMBLY	
FU2	VD7 - 0642 - 501		1	FUSE	
L 1	FH3 - 0938 - 000		1	INDUCTOR	
L 2	FH3 - 0938 - 000		1	INDUCTOR	
RL 1	FH7 - 6331 - 000		1	RELAY	
SK1	RH6 - 3434 - 000		1	FILTER, NOISE	
SK2	RH6 - 3434 - 000		1	FILTER, NOISE	
SK3	RH6 - 3434 - 000		1	FILTER, NOISE	
SK4	RH6 - 3434 - 000		1	FILTER, NOISE	
T 1	FH3 - 0936 - 000		1	INDUCTOR	

FIGURE 970 DOCUMENT DETECT PCB ASSEMBLY

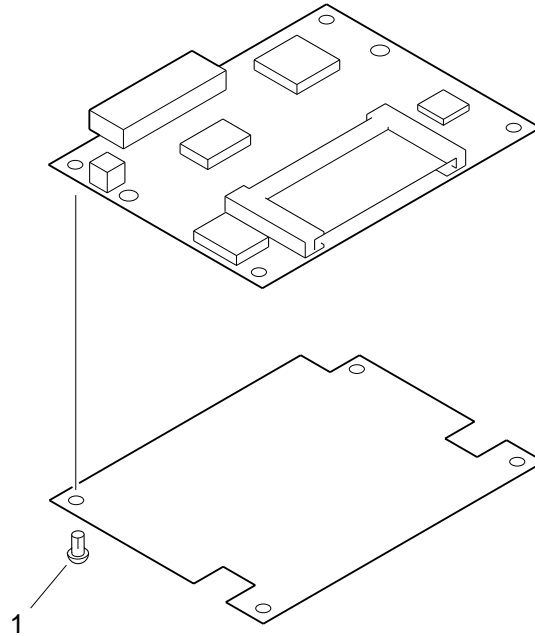
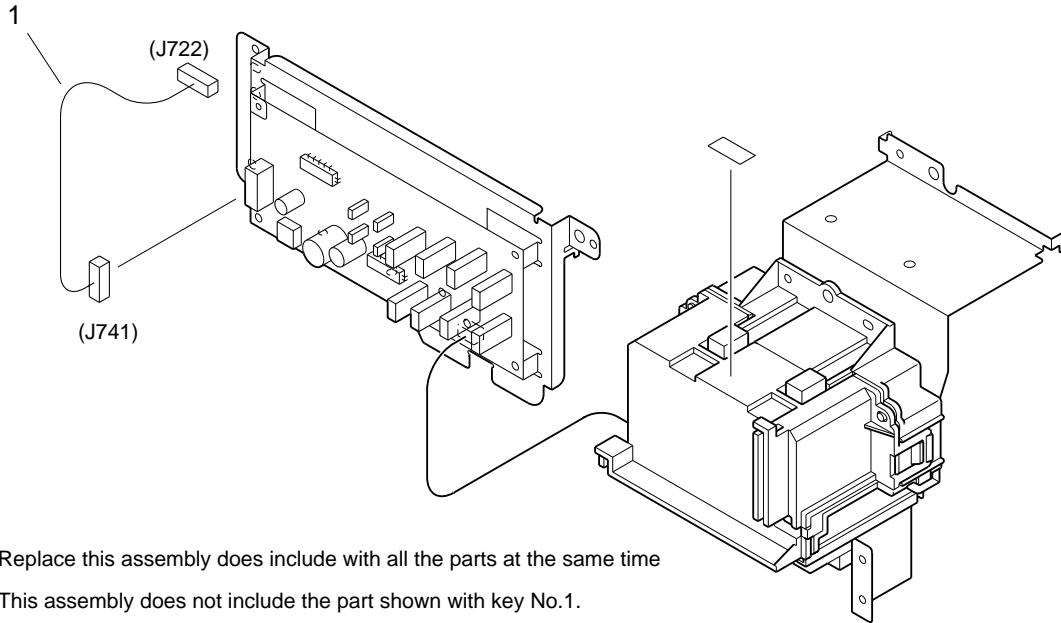


FIGURE & KEY NO.	PART NUMBER	RANK	QTY	DESCRIPTION	SERIAL NUMBER / REMARKS
970 -	FG6 - 7257 - 000		1	DOCUMENT DETECT PCB ASSEMBLY	
1	WT8 - 0053 - 000		4	RIVET, NYLON	
I C 2	FH4 - 5904 - 000		1	IC, MBCG46833-119, GATE ARRAY	
I C 3	FH4 - 5905 - 000		1	IC, MB87D119, GATE ARRAY	
I C 5	FH4 - 6154 - 000		1	IC, MB87L1890, GATE ARRAY	
I C 12	FH4 - 3882 - 000		1	IC, MR27V402E-013TP, MASK-ROM	
I C 13	FH4 - 3883 - 000		1	IC, MR27V402E-038TP, MASK-ROM	

FIGURE 980 H.V. AC TRANSFORMER PCB ASSEMBLY



NOTE1: Replace this assembly does include with all the parts at the same time

NOTE2: This assembly does not include the part shown with key No.1.

FIGURE & KEY NO.	PART NUMBER	RANK	QTY	DESCRIPTION	SERIAL NUMBER / REMARKS
980 -	FG6 - 7249 - 030		1	H.V. AC TRANSFORMER PCB ASS'Y	
1	FG6 - 7220 - 000		1	CABLE, H.V. CONNECTING	J722,741 SEE NOTE
T1	FH3 - 5237 - 000		1	TRANSFORMER	

FIGURE 985 H.V. DC TRANSFORMER PCB ASSEMBLY

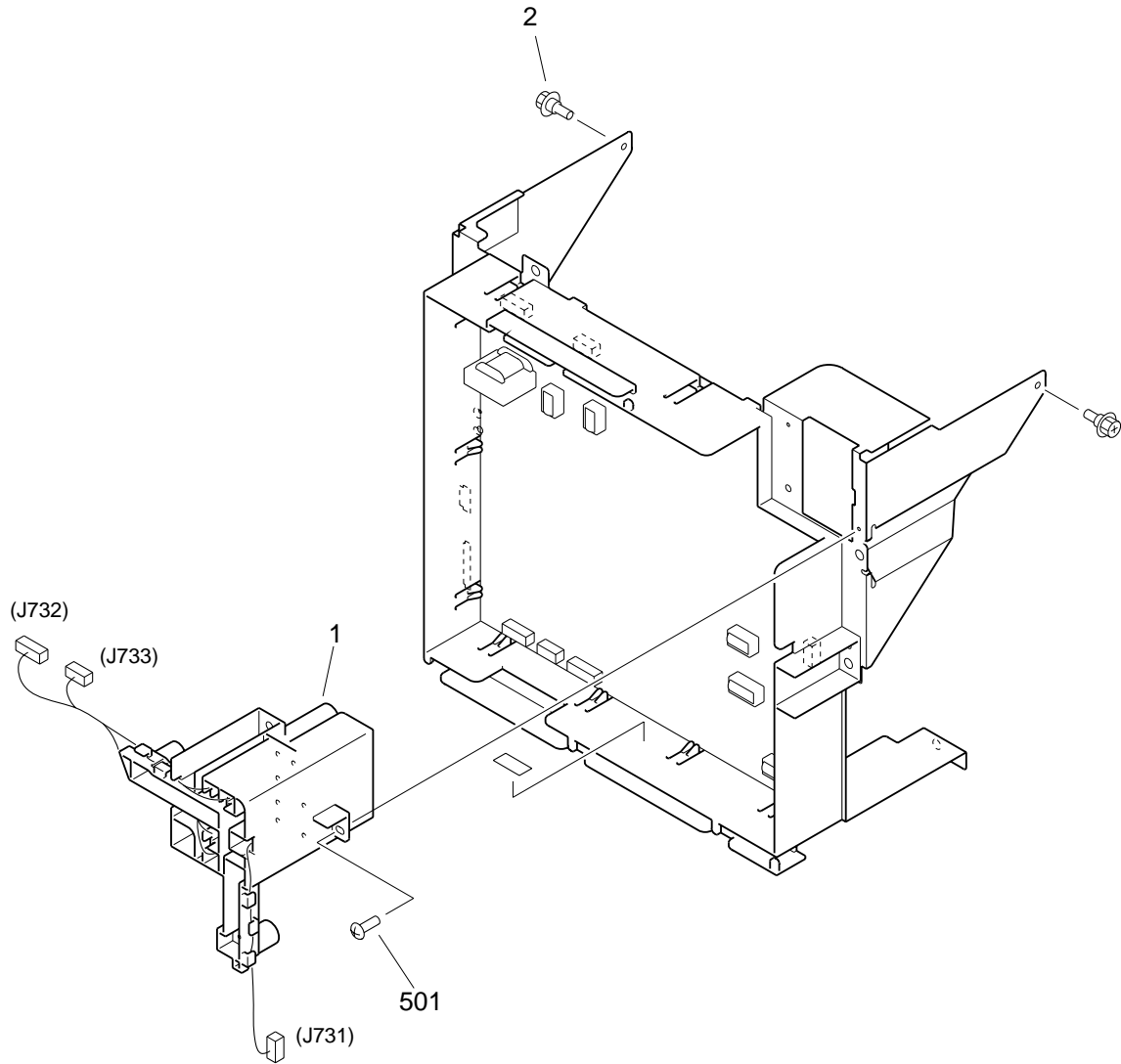


FIGURE & KEY NO.	PART NUMBER	RANK	QTY	DESCRIPTION	SERIAL NUMBER / REMARKS
985 -	FG6 - 8583 - 000		1	H.V. DC TRANSFORMER PCB ASS'Y	
1	FH2 - 9231 - 000		1	JOINT CONNECTOR UNIT	J731-733
2	FS5 - 9214 - 000		2	SCREW,RS STEPPED,M4	
5 0 1	XB1 - 2400 - 609		4	SCREW,MACH.,TRUSS HEAD,M4X6	
R2 0 6	FH4 - 9157 - 000		1	RESISTOR, 4MOHM, 1/4W	
R5 5 1	FH6 - 3337 - 000		1	RESISTOR, 3MOHM, 1/3W	
R5 6 1	FH6 - 3337 - 000		1	RESISTOR, 3MOHM, 1/3W	
R5 7 1	FH6 - 3337 - 000		1	RESISTOR, 3MOHM, 1/3W	
R5 8 1	FH6 - 3337 - 000		1	RESISTOR, 3MOHM, 1/3W	
R8 5 1	FH6 - 3337 - 000		1	RESISTOR, 3MOHM, 1/3W	
R8 5 7	FH6 - 3337 - 000		1	RESISTOR, 3MOHM, 1/3W	
T 1 0 1	FH3 - 0893 - 000		1	TRANSFORMER	
T 2 0 2	RH3 - 0071 - 000		1	TRANSFORMER	
T 3 0 1	FH3 - 0894 - 000		1	TRANSFORMER	
T 4 0 1	FH3 - 0894 - 000		1	TRANSFORMER	
T 5 0 1	FH3 - 0893 - 000		1	TRANSFORMER	
T 6 0 1	FH3 - 0766 - 000		1	TRANSFORMER	
T 7 0 1	FH3 - 0830 - 000		1	TRANSFORMER	
T 8 0 1	FH3 - 0893 - 000		1	TRANSFORMER	

FIGURE B LIST OF CONNECTORS(1/4)

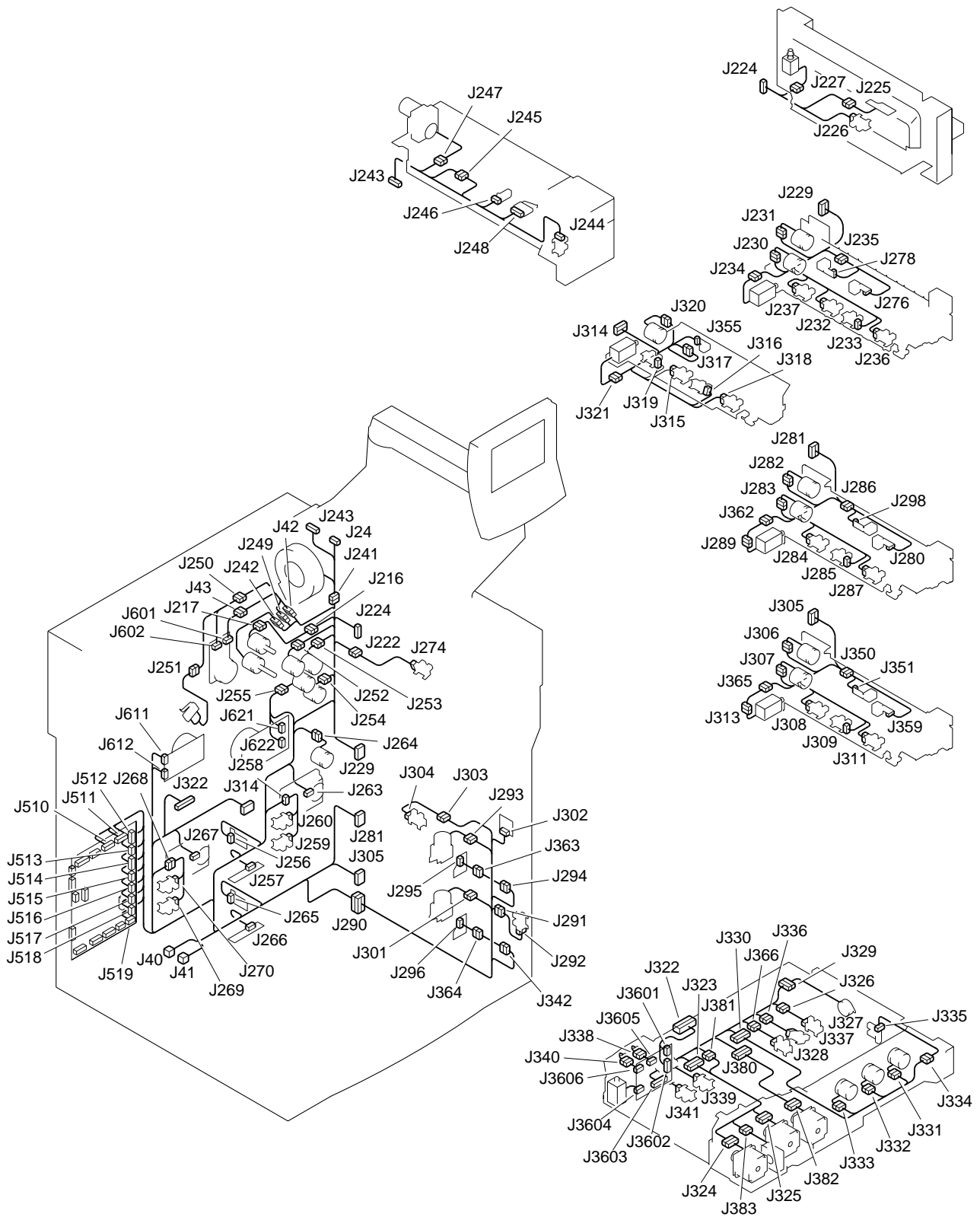


FIGURE B LIST OF CONNECTORS(2/4)

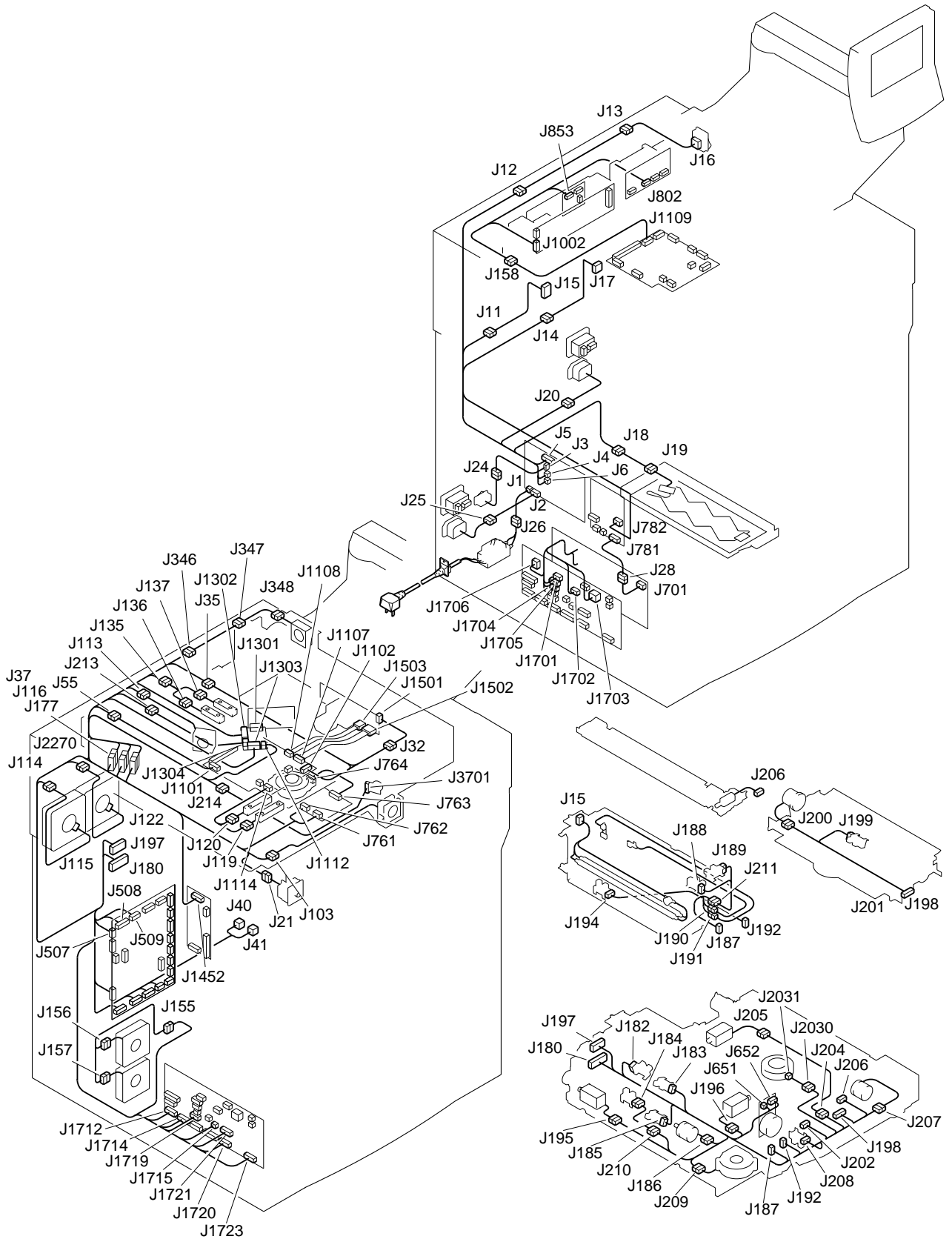


FIGURE B LIST OF CONNECTORS(3/4)

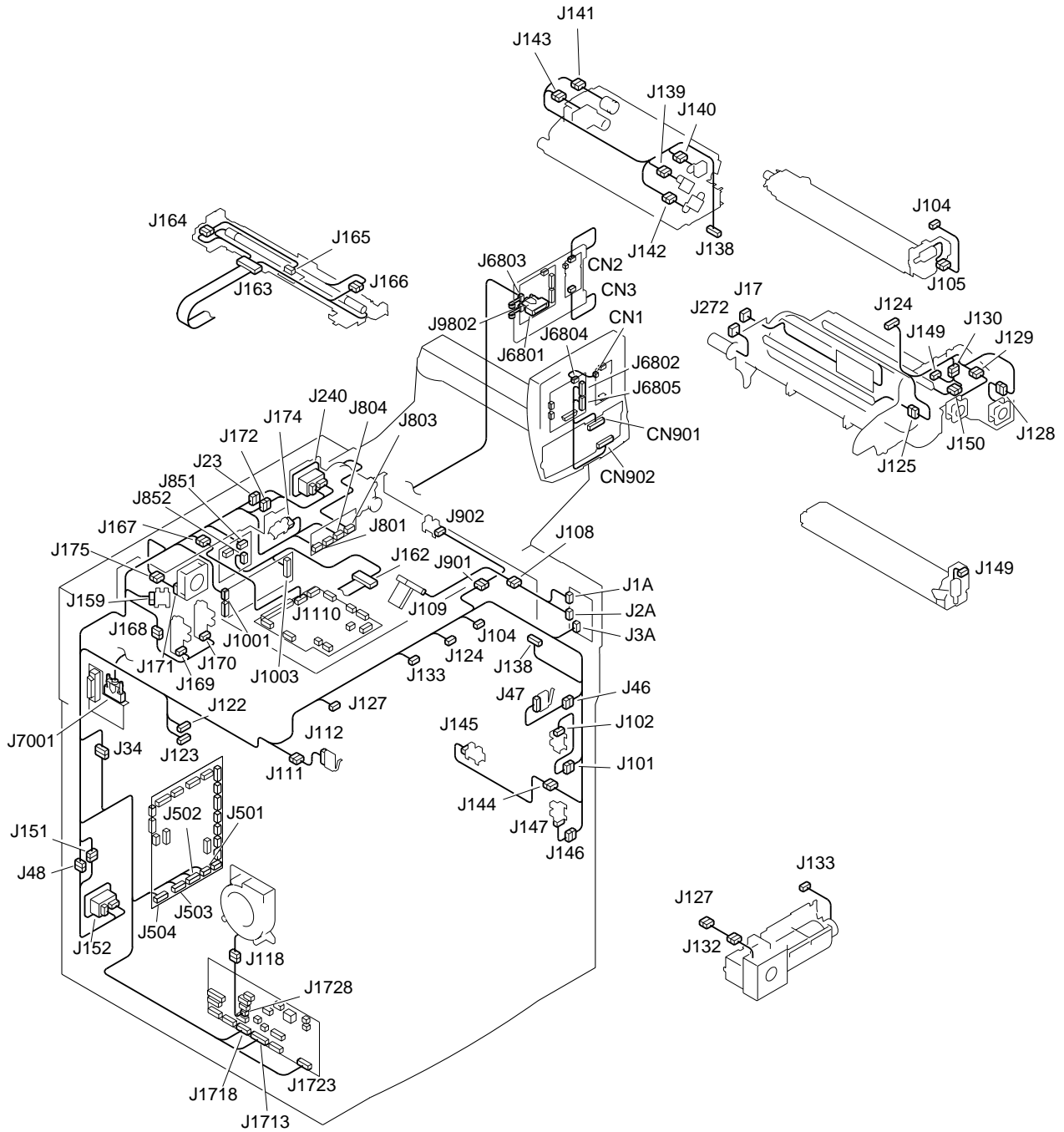


FIGURE B LIST OF CONNECTORS(4/4)

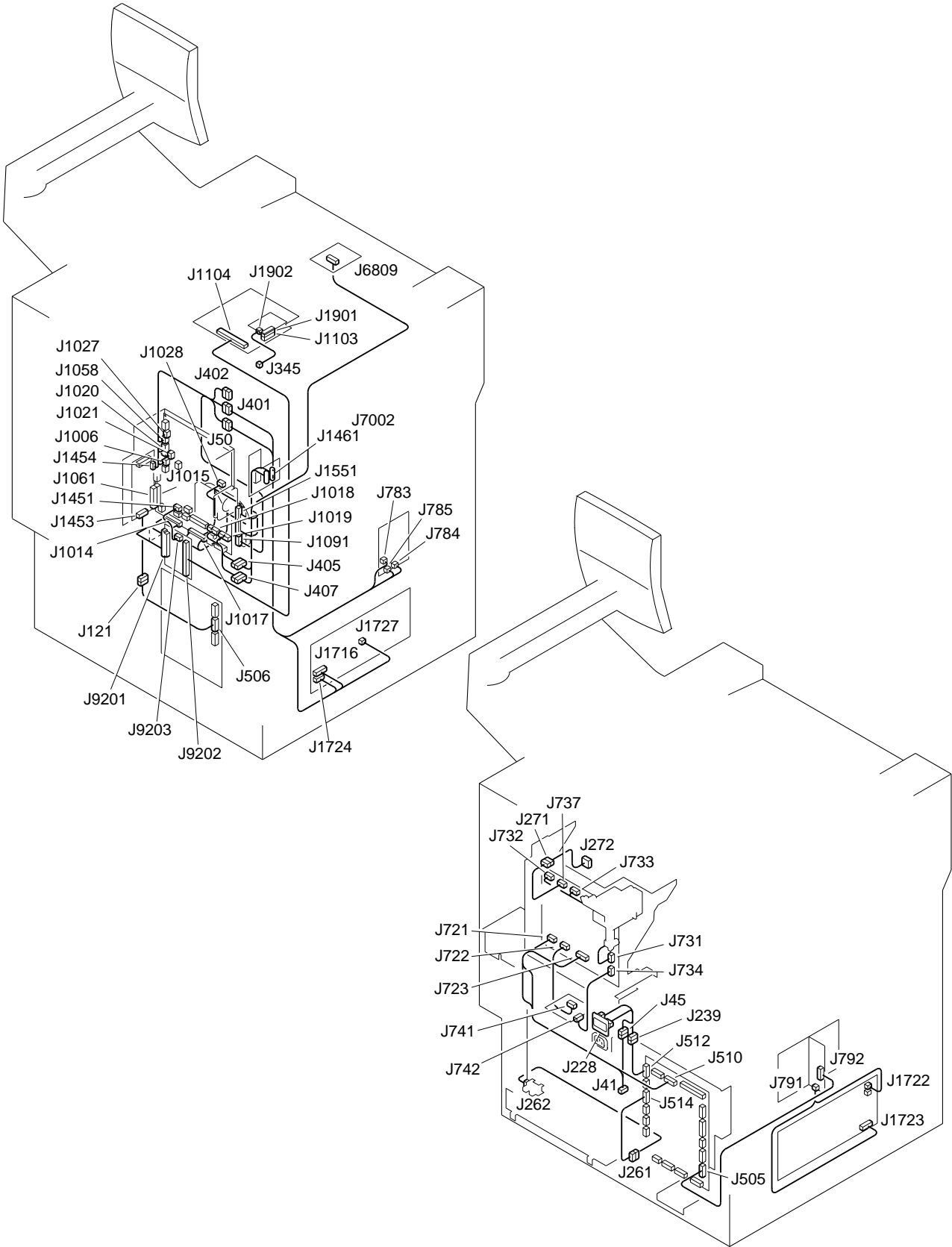


FIGURE & KEY NO.	PART NUMBER	RANK	QTY	DESCRIPTION	SERIAL NUMBER / REMARKS
B -	NPN		RF	LIST OF CONNECTORS	
C N 1	PCB			CONTROL PANEL INVERTER	
	VS1 - 0842 - 002		1	CONNECTOR, 2P, FEMALE	
C N 2	PCB			CONTROL PANEL INVERTER	
	NPN			LCD CONTROL/ANALOG TOUCH PANEL	
C N 3	PCB			CONTROL PANEL INVERTER	
	NPN			LCD CONTROL/ANALOG TOUCH PANEL	
C N 9 0 1	PCB			CONTROL PANEL KEY	
	VS1 - 6023 - 015		1	CONNECTOR, 15P, MALE	
C N 9 0 2	PCB			CONTROL PANEL KEY	
J 1	VS1 - 6023 - 014		1	CONNECTOR, 14P, MALE	
	PCB			POTENTIAL MEASURING	
	VS1 - 0279 - 005		1	CONNECTOR, 5P, FEMALE	
	WS3 - 0437 - 000		3	SOCKET CONTACT, 20-30AWG	
	PCB			AC DRIVER	
J 2	VS1 - 6380 - 003		1	CONNECTOR, 3P, MALE	
	WS3 - 5472 - 000		2	SOCKET CONTACT, 12AWG	
	PCB			POTENTIAL MEASURING	
	VS1 - 0279 - 004		1	CONNECTOR, 4P, FEMALE	
	WS3 - 0469 - 000		3	SOCKET CONTACT, 26-30AWG	
J 3	PCB			AC DRIVER	
	VS3 - 5083 - 007		1	CONNECTOR, 7P, FEMALE	
	WS3 - 5160 - 000		2	SOCKET CONTACT, 18-24AWG	
	PCB			POTENTIAL MEASURING	
	VS1 - 6321 - 004		1	CONNECTOR, 4P, FEMALE	
J 4	PCB			AC DRIVER	
	VS3 - 5083 - 003		1	CONNECTOR, 3P, FEMALE	
	WS3 - 5160 - 000		3	SOCKET CONTACT, 18-24AWG	
	PCB			AC DRIVER	
	VS1 - 6380 - 002		1	CONNECTOR, 2P, MALE	

FIGURE & KEY NO.	PART NUMBER	RANK	QTY	DESCRIPTION	SERIAL NUMBER / REMARKS
B - J 4	WS3 - 5292 - 000		2	SOCKET CONTACT	
J 5	PCB			AC DRIVER	
	VS3 - 5083 - 011		1	CONNECTOR, 11P, FEMALE	
	WS3 - 5160 - 000		6	SOCKET CONTACT, 18-24AWG	
J 6	PCB			AC DRIVER	
	VS1 - 6380 - 004		1	CONNECTOR, 4P, MALE	
	WS3 - 5292 - 000		3	SOCKET CONTACT	
J 11	FG6 - 1904 - 000		1	CABLE, FIXING DRAWER CONNECT	
	VS3 - 5121 - 003		1	CONNECTOR, 3P, FEMALE	
	WS3 - 5291 - 000		3	PIN CONTACT	
J 12	VS1 - 6380 - 004		1	CONNECTOR, 4P, MALE	
	VS3 - 5121 - 004		1	CONNECTOR, 4P, FEMALE	
	WS3 - 5291 - 000		4	PIN CONTACT	
	WS3 - 5292 - 000		4	SOCKET CONTACT	
J 13	VS1 - 6380 - 004		1	CONNECTOR, 4P, MALE	
	VS3 - 5121 - 004		1	CONNECTOR, 4P, FEMALE	
	WS3 - 5291 - 000		4	PIN CONTACT	
	WS3 - 5292 - 000		4	SOCKET CONTACT	
J 14	FG6 - 7201 - 000		1	CABLE, DRUM HEATER CONNECTING	
	VS4 - 0002 - 003		1	CONNECTOR, 3P, FEMALE	
J 15	WS4 - 0217 - 000		2	SOCKET CONTACT, 22-18AWG	
	FG6 - 1875 - 000		1	CABLE, AC, FIXING/FEEDER	
	FG6 - 1904 - 000		1	CABLE, FIXING DRAWER CONNECT	
J 16	NPN			MAIN SWITCH	SW1
	RH2 - 5339 - 000		1	CONNECTOR, 4P, FEMALE	
J 17	WT1 - 0579 - 000		4	RECEPTACLE	
	FG6 - 1853 - 000		1	CABLE, DRUM HEATER	
	FG6 - 7201 - 000		1	CABLE, DRUM HEATER CONNECTING	
J 18	VS4 - 0001 - 003		1	CONNECTOR, 3P, MALE	
	VS4 - 0002 - 003		1	CONNECTOR, 3P, FEMALE	

FIGURE & KEY NO.	PART NUMBER	RANK	QTY	DESCRIPTION	SERIAL NUMBER / REMARKS
B - J 1 8	WS4 - 0217 - 000		2	SOCKET CONTACT, 22-18AWG	H4
	WS4 - 0219 - 000		2	PIN CONTACT, 18-22AWG	
J 1 9	NPN			CASSETTE HEATER	
	VS4 - 0001 - 003		1	CONNECTOR, 3P, MALE	
	WS4 - 0219 - 000		2	PIN CONTACT, 18-22AWG	
J 2 0	VS4 - 0001 - 002		1	CONNECTOR, 2P, MALE	
	VS4 - 0002 - 002		1	CONNECTOR, 2P, FEMALE	
	WS4 - 0217 - 000		2	SOCKET CONTACT, 22-18AWG	
	WS4 - 0219 - 000		2	PIN CONTACT, 18-22AWG	
J 2 1	VS4 - 0001 - 002		1	CONNECTOR, 2P, MALE	
J 2 3	VS4 - 0002 - 002		1	CONNECTOR, 2P, FEMALE	
	WS4 - 0218 - 000		2	SOCKET CONTACT, 22-26AWG	
	WS4 - 0220 - 000		2	PIN CONTACT, 22-26AWG	
	VS1 - 5729 - 002		1	CONNECTOR, 2P, MALE	
	VS3 - 5083 - 002		1	CONNECTOR, 2P, FEMALE	
J 2 4	WS3 - 5160 - 000		2	SOCKET CONTACT, 18-24AWG	
	WS3 - 5301 - 000		2	PIN CONTACT	
	VS1 - 6380 - 004		1	CONNECTOR, 4P, MALE	
	VS3 - 5121 - 004		1	CONNECTOR, 4P, FEMALE	
	WS3 - 5291 - 000		3	PIN CONTACT	
J 2 5	WS3 - 5292 - 000		3	SOCKET CONTACT	
	VS4 - 0001 - 003		1	CONNECTOR, 3P, MALE	
	VS4 - 0002 - 003		1	CONNECTOR, 3P, FEMALE	
	WS4 - 0217 - 000		2	SOCKET CONTACT, 22-18AWG	
	WS4 - 0219 - 000		2	PIN CONTACT, 18-22AWG	
J 2 6	VS1 - 6380 - 002		1	CONNECTOR, 2P, MALE	
	VS3 - 5121 - 002		1	CONNECTOR, 2P, FEMALE	
	WS3 - 5472 - 000		2	SOCKET CONTACT, 12AWG	
	WS3 - 5473 - 000		2	PIN, CONTACT, 12AWG	
J 2 8	VS1 - 5729 - 007		1	CONNECTOR, 7P, MALE	

FIGURE & KEY NO.	PART NUMBER	R A N K	Q' T Y	DESCRIPTION	SERIAL NUMBER / REMARKS
B - J 2 8	VS3 - 5083 - 007		1	CONNECTOR, 7P, FEMALE	
	WS3 - 5160 - 000		4	SOCKET CONTACT, 18-24AWG	
	WS3 - 5301 - 000		4	PIN CONTACT	
J 3 2	VS1 - 6373 - 008		1	CONNECTOR, 8P, FEMALE	
	VS1 - 6490 - 008		1	CONNECTOR, 8P, MALE	
J 3 4	WS3 - 5598 - 000		8	PIN CONTACT	
	WS3 - 5680 - 000		8	SOCKET CONTACT, 20-24AWG	
	VS4 - 0001 - 015		1	CONNECTOR, 15P, MALE	
	VS4 - 0002 - 015		1	CONNECTOR, 15P, FEMALE	
	WS4 - 0217 - 000		15	SOCKET CONTACT, 22-18AWG	
J 3 5	WS4 - 0219 - 000		15	PIN CONTACT, 18-22AWG	
	VS1 - 6372 - 008		1	CONNECTOR, 8P, MALE	
	VS1 - 6373 - 008		1	CONNECTOR, 8P, FEMALE	
	WS3 - 5598 - 000		8	PIN CONTACT	
J 3 7	WS3 - 5680 - 000		8	SOCKET CONTACT, 20-24AWG	
	VS1 - 6372 - 002		1	CONNECTOR, 2P, MALE	
	VS1 - 6373 - 002		1	CONNECTOR, 2P, FEMALE	
	WS3 - 5598 - 000		2	PIN CONTACT	
J 4 0	WS3 - 5680 - 000		2	SOCKET CONTACT, 20-24AWG	
	VS4 - 0001 - 006		1	CONNECTOR, 6P, MALE	
J 4 1	VS4 - 0002 - 006		1	CONNECTOR, 6P, FEMALE	
	WS4 - 0217 - 000		5	SOCKET CONTACT, 22-18AWG	
	WS4 - 0220 - 000		6	PIN CONTACT, 22-26AWG	
	VS4 - 0001 - 012		1	CONNECTOR, 12P, MALE	
	VS4 - 0002 - 012		1	CONNECTOR, 12P, FEMALE	
J 4 2	WS4 - 0217 - 000		11	SOCKET CONTACT, 22-18AWG	
	WS4 - 0220 - 000		11	PIN CONTACT, 22-26AWG	
	VS1 - 5729 - 002		1	CONNECTOR, 2P, MALE	
	VS3 - 5083 - 002		1	CONNECTOR, 2P, FEMALE	
	WS3 - 5160 - 000		2	SOCKET CONTACT, 18-24AWG	

FIGURE & KEY NO.	PART NUMBER	RANK	QTY	DESCRIPTION	SERIAL NUMBER / REMARKS
B - J 4 2	WS3 - 5301 - 000		2	PIN CONTACT	
J 4 3	VS1 - 5729 - 002		1	CONNECTOR, 2P, MALE	
	VS3 - 5083 - 002		1	CONNECTOR, 2P, FEMALE	
	WS3 - 5160 - 000		2	SOCKET CONTACT, 18-24AWG	
	WS3 - 5301 - 000		2	PIN CONTACT	
J 4 5	VS4 - 0001 - 004		1	CONNECTOR, 4P, MALE	
	VS4 - 0002 - 004		1	CONNECTOR, 4P, FEMALE	
	WS4 - 0218 - 000		3	SOCKET CONTACT, 22-26AWG	
	WS4 - 0219 - 000		3	PIN CONTACT, 18-22AWG	
J 4 6	VS1 - 5729 - 002		1	CONNECTOR, 2P, MALE	
	VS3 - 5083 - 002		1	CONNECTOR, 2P, FEMALE	
	WS3 - 5160 - 000		2	SOCKET CONTACT, 18-24AWG	
	WS3 - 5301 - 000		2	PIN CONTACT	
J 4 7	NPN			MULTI DOOR INTERLOCK SWITCH	MSW5
	RH2 - 5283 - 000		1	CONNECTOR, 3P, FEMALE	
J 4 8	WS3 - 5419 - 000		2	SOCKET CONTACT, 22-26AWG	
	VS1 - 5057 - 002		1	CONNECTOR, SNAP TIGHT	
	VS1 - 5824 - 002		1	CONNECTOR, 2P, FEMALE	
	VS1 - 6321 - 002		1	CONNECTOR, 2P, FEMALE	
	WS3 - 5358 - 000		2	SOCKET CONTACT, 22-26AWG	
J 5 0	VS1 - 6694 - 030		1	CONNECTOR, 30P, MALE	
	VS1 - 6695 - 030		1	CONNECTOR, 30P, FEMALE	
	WS3 - 5680 - 000		28	SOCKET CONTACT, 20-24AWG	
	WS3 - 5719 - 000		28	PIN CONTACT, 20-24AWG	
J 5 1	VS1 - 6302 - 002		1	CONNECTOR, 2P, FEMALE	
J 5 6	VS1 - 6702 - 002		1	CONNECTOR, 2P, FEMALE	
	WS3 - 5569 - 000		1	SOCKET CONTACT, 22-28AWG	
	WS3 - 5720 - 000		1	SOCKET CONTACT, 22-28AWG	
	VS1 - 5729 - 002		1	CONNECTOR, 2P, MALE	
	VS3 - 5083 - 002		1	CONNECTOR, 2P, FEMALE	

FIGURE & KEY NO.	PART NUMBER	RANK	QTY	DESCRIPTION	SERIAL NUMBER / REMARKS
B - J 56	WS3 - 5160 - 000		2	SOCKET CONTACT, 18-24AWG	
	WS3 - 5301 - 000		2	PIN CONTACT	
J 101	VS1 - 5057 - 003		1	CONNECTOR, SNAP TIGHT	
	VS1 - 6321 - 003		2	CONNECTOR, 3P, FEMALE	
J 102	NPN			MULTI DOOR OPEN/CLOSE SENSOR	PS56
J 103	VS1 - 6321 - 003		1	CONNECTOR, 3P, FEMALE	FM4
	NPN			FEED/READ FAN	
J 104	VS1 - 6321 - 003		1	CONNECTOR, 3P, FEMALE	
	VS1 - 5057 - 002		1	CONNECTOR, SNAP TIGHT	
J 105	VS1 - 6321 - 002		2	CONNECTOR, 2P, FEMALE	M8
	NPN			PRIMARY CLEANING MOTOR	
J 108	VS1 - 5057 - 002		1	CONNECTOR, SNAP TIGHT	
	VS1 - 6321 - 002		1	CONNECTOR, 2P, FEMALE	
J 109	VS1 - 0842 - 006		1	CONNECTOR, 6P, FEMALE	DP1
	VS1 - 5057 - 006		1	CONNECTOR, SNAP TIGHT	
J 111	VS1 - 5824 - 006		1	CONNECTOR, 6P, FEMALE	
	WS3 - 5358 - 000		6	SOCKET CONTACT, 22-26AWG	
J 112	NPN			VOLTAGE SENSOR	MSW7
	VS3 - 5203 - 005		1	CONNECTOR, 5P, MALE	
J 113	WS3 - 5365 - 000		5	PIN CONTACT, 28-32AWG	
	VS1 - 5057 - 002		1	CONNECTOR, SNAP TIGHT	
J 114	VS1 - 6321 - 002		2	CONNECTOR, 2P, FEMALE	
	NPN			FRONT DOOR OPEN/CLOSE SWITCH	
J 115	RH2 - 5283 - 000		1	CONNECTOR, 3P, FEMALE	
	WS3 - 5419 - 000		2	SOCKET CONTACT, 22-26AWG	
J 116	NPN			LASER DRIVER COOLING FAN	FM5
	VS1 - 5057 - 003		1	CONNECTOR, SNAP TIGHT	
J 117	VS1 - 6321 - 003		1	CONNECTOR, 3P, FEMALE	
	VS1 - 5057 - 003		1	CONNECTOR, SNAP TIGHT	
J 118	VS1 - 6321 - 003		2	CONNECTOR, 3P, FEMALE	
	VS1 - 5057 - 003		1	CONNECTOR, SNAP TIGHT	

FIGURE & KEY NO.	PART NUMBER	RANK	QTY	DESCRIPTION	SERIAL NUMBER / REMARKS
B - J 1 1 5	NPN			FIXING EXHAUST FAN	FM2
	VS1 - 6321 - 003		1	CONNECTOR, 3P, FEMALE	
J 1 1 6	VS1 - 5057 - 004		1	CONNECTOR, SNAP TIGHT	
	VS1 - 6321 - 004		2	CONNECTOR, 4P, FEMALE	
J 1 1 8	NPN			DELIVERY FAN 1	FM17
	VS1 - 5057 - 003		1	CONNECTOR, SNAP TIGHT	
	VS1 - 6321 - 003		1	CONNECTOR, 3P, FEMALE	
J 1 1 9	NPN			PAPER SIZE SENSOR 1	SIZE1
	VS1 - 5057 - 003		1	CONNECTOR, SNAP TIGHT	
	VS1 - 6320 - 003		1	CONNECTOR, 3P, FEMALE	
J 1 2 0	NPN			PAPER SIZE SENSOR 2	SIZE2
	VS1 - 5057 - 003		1	CONNECTOR, SNAP TIGHT	
	VS1 - 6321 - 003		1	CONNECTOR, 3P, FEMALE	
J 1 2 1	VS1 - 6313 - 014		2	CONNECTOR, 14P, FEMALE	
	VS1 - 6314 - 014		2	CONNECTOR, 14P, FEMALE	
	VS1 - 6319 - 028		1	CONNECTOR, SNAP TIGHT	
	VT2 - 5161 - 028		1	HOLDER, CONNECTOR, 28P	
J 1 2 2	NPN			FIXING EXHAUST FAN	FM20
	VS1 - 6321 - 003		1	CONNECTOR, 3P, FEMALE	
J 1 2 4	VS1 - 6314 - 014		2	CONNECTOR, 14P, FEMALE	
	VS1 - 6318 - 014		1	CONNECTOR, SNAP TIGHT	
J 1 2 5	NPN			PRE-CONDITIONING EXPOSURE LED	LED1
	VS1 - 6321 - 002		1	CONNECTOR, 2P, FEMALE	
J 1 2 7	VS1 - 5057 - 003		1	CONNECTOR, SNAP TIGHT	
	VS1 - 6321 - 003		2	CONNECTOR, 3P, FEMALE	
J 1 2 8	NPN			PRE-TRANSFER FAN	FM10
	VS1 - 6321 - 003		1	CONNECTOR, 3P, FEMALE	
J 1 2 9	NPN			DEVELOPMENT FAN	FM15
	VS1 - 5057 - 003		1	CONNECTOR, SNAP TIGHT	
	VS1 - 6321 - 003		1	CONNECTOR, 3P, FEMALE	

FIGURE & KEY NO.	PART NUMBER	RANK	QTY	DESCRIPTION	SERIAL NUMBER / REMARKS
B - J 130	VS1 - 5057 - 004		1	CONNECTOR, SNAP TIGHT	
	VS1 - 6321 - 004		2	CONNECTOR, 4P, FEMALE	
J 132	NPN			SCANNER COOLING FAN	FM3
	VS1 - 6321 - 003		1	CONNECTOR, 3P, FEMALE	
J 133	NPN			PRIMARY CORONA FAN	FM1
J 135	VS1 - 5057 - 003		1	CONNECTOR, SNAP TIGHT	
	VS1 - 6321 - 003		1	CONNECTOR, 3P, FEMALE	
	VS1 - 6314 - 006		2	CONNECTOR, 6P, FEMALE	
	VS1 - 6318 - 006		1	CONNECTOR, SNAP TIGHT	
J 136	NPN			PAPER SIZE SENSOR, 3	SIZE3
J 137	VS1 - 5057 - 003		1	CONNECTOR, SNAP TIGHT	
	VS1 - 6321 - 003		1	CONNECTOR, 3P, FEMALE	
	NPN			PAPER SIZE SENSOR, 4	
	VS1 - 5057 - 003		1	CONNECTOR, SNAP TIGHT	
	VS1 - 6321 - 003		1	CONNECTOR, 3P, FEMALE	
J 138	VS1 - 6314 - 013		2	CONNECTOR, 13P, FEMALE	
	VS1 - 6318 - 013		1	CONNECTOR, SNAP TIGHT	
J 139	NPN			BUFFER TONER SENSOR	TS1
	VS1 - 5057 - 003		1	CONNECTOR, SNAP TIGHT	
	VS1 - 6321 - 003		1	CONNECTOR, 3P, FEMALE	
J 140	NPN			BUFFER TONER EMPTINESS SENSOR	TS2
	VS1 - 5057 - 003		1	CONNECTOR, SNAP TIGHT	
	VS1 - 6321 - 003		1	CONNECTOR, 3P, FEMALE	
J 141	NPN			BUFFER CLUTCH	CL1
	VS1 - 5057 - 002		1	CONNECTOR, SNAP TIGHT	
J 142	VS1 - 6321 - 002		1	CONNECTOR, 2P, FEMALE	TS3
	NPN			DEVELOPING TONER SENSOR	
	VS1 - 5057 - 003		1	CONNECTOR, SNAP TIGHT	
J 143	VS1 - 6321 - 003		1	CONNECTOR, 3P, FEMALE	M18
	NPN			BUFFER MOTOR	

FIGURE & KEY NO.	PART NUMBER	RANK	QTY	DESCRIPTION	SERIAL NUMBER / REMARKS	
B - J 1 4 3	VS1 - 5057 - 002		1	CONNECTOR, SNAP TIGHT	PS47	
	VS1 - 6321 - 002		1	CONNECTOR, 2P, FEMALE		
J 1 4 4	VS1 - 5057 - 003		1	CONNECTOR, SNAP TIGHT		
	VS1 - 6321 - 003		2	CONNECTOR, 3P, FEMALE		
J 1 4 5	NPN		VERTICAL PATH SENSOR 1			
J 1 4 6	VS1 - 6321 - 003		1	CONNECTOR, 3P, FEMALE		PS58
	VS1 - 5057 - 004		1	CONNECTOR, SNAP TIGHT		
	VS1 - 6321 - 004		2	CONNECTOR, 4P, FEMALE		
	NPN			RIGHT DOOR UPPER OPEN SENSOR		
J 1 4 7	VS1 - 6321 - 003		1	CONNECTOR, 3P, FEMALE		
	NPN			PRE-TRANSFER CLEANING MOTOR	M7	
J 1 4 9	NPN			CONNECTOR, 2P, FEMALE	LED2	
J 1 5 0	NPN			POST EXPOSURE LED		
J 1 5 1	VS1 - 6321 - 002		1	CONNECTOR, 2P, FEMALE	ACCESSORY	
	VS1 - 5057 - 005		1	CONNECTOR, SNAP TIGHT		
J 1 5 2	VS1 - 6321 - 005		2	CONNECTOR, 5P, FEMALE	ACCESSORY	
	SYS			TO FINISHER		
	FH2 - 6480 - 000		1	CONNECTOR, FEMALE		
	VS1 - 5452 - 007		1	CONNECTOR, 7P, FEMALE		
J 1 5 5	VS1 - 6314 - 006		2	CONNECTOR, 6P, FEMALE		
J 1 5 6	VS1 - 6318 - 006		1	CONNECTOR, SNAP TIGHT	FM11	
	NPN			POWER SUPPLY FAN, 1		
J 1 5 7	VS1 - 6321 - 003		1	CONNECTOR, 3P, FEMALE	FM12	
	NPN			POWER SUPPLY FAN, 2		
J 1 5 8	VS1 - 6321 - 003		1	CONNECTOR, 3P, FEMALE	PS57	
	VS1 - 6313 - 013		2	CONNECTOR, 13P, FEMALE		
	VS1 - 6314 - 013		2	CONNECTOR, 13P, FEMALE		
	VS1 - 6319 - 026		1	CONNECTOR, SNAP TIGHT		
J 1 5 9	VT2 - 5161 - 026		2	HOLDER, CONNECTOR, 26P		
	NPN			GLASS SENSOR		

FIGURE & KEY NO.	PART NUMBER	RANK	QTY	DESCRIPTION	SERIAL NUMBER / REMARKS
B - J 1 5 9	VS1 - 6321 - 003		1	CONNECTOR, 3P, FEMALE	
J 1 6 2	FH2 - 6452 - 000		1	CABLE, FLUORESCENT LAMP	
	FH2 - 6574 - 000		1	CABLE, FLUORESCENT	
J 1 6 3	FH2 - 6452 - 000		1	CABLE, FLUORESCENT LAMP	
	FH2 - 6453 - 000		1	CABLE, FLUORESCENT LAMP	
J 1 6 4	FH2 - 6453 - 000		1	CABLE, FLUORESCENT LAMP	
	VS1 - 6304 - 003		1	CONNECTOR, 3P, MALE	
	WS3 - 5571 - 000		3	PIN CONTACT, 22-28AWG	
J 1 6 5	PCB			EXPOSURE SENSOR	
	VS1 - 6302 - 005		1	CONNECTOR, 5P, FEMALE	
J 1 6 6	WS3 - 5569 - 000		3	SOCKET CONTACT, 22-28AWG	
	NPN			FLUORESCENT LAMP HEATER	H5
	FH2 - 6453 - 000		1	CABLE, FLUORESCENT LAMP	
J 1 6 7	VS1 - 6313 - 010		2	CONNECTOR, 10P, FEMALE	
	VS1 - 6314 - 010		2	CONNECTOR, 10P, FEMALE	
J 1 6 8	VS1 - 6319 - 020		1	CONNECTOR, SNAP TIGHT	
	VT2 - 5161 - 020		2	HOLDER, CONNECTOR, 20P	
	VS1 - 5057 - 006		1	CONNECTOR, SNAP TIGHT	
	VS1 - 6321 - 006		2	CONNECTOR, 6P, FEMALE	
J 1 6 9	NPN			SCANNER HOME POSITION SENSOR	PS1
J 1 7 0	VS1 - 6321 - 003		1	CONNECTOR, 3P, FEMALE	
	NPN			DOCUMENT TOP SENSOR	PS3
	VS1 - 6320 - 003		1	CONNECTOR, 3P, FEMALE	
J 1 7 1	NPN			INVERTER FAN	FM9
	VS1 - 6321 - 003		1	CONNECTOR, 3P, FEMALE	
J 1 7 2	VS1 - 5057 - 007		1	CONNECTOR, SNAP TIGHT	
	VS1 - 6321 - 007		2	CONNECTOR, 7P, FEMALE	
J 1 7 3	VS1 - 6314 - 007		2	CONNECTOR, 7P, FEMALE	
	VS1 - 6318 - 007		1	CONNECTOR, SNAP TIGHT	
J 1 7 4	NPN			COPYBOARD COVER OPEN SENSOR	PS4

FIGURE & KEY NO.	PART NUMBER	RANK	QTY	DESCRIPTION	SERIAL NUMBER / REMARKS
B - J 174	VS1 - 6321 - 003		1	CONNECTOR, 3P, FEMALE	
J 175	VS1 - 5057 - 003		1	CONNECTOR, SNAP TIGHT	
	VS1 - 6321 - 003		2	CONNECTOR, 3P, FEMALE	
J 177	VS1 - 6314 - 003		2	CONNECTOR, 3P, FEMALE	
	VS1 - 6318 - 003		1	CONNECTOR, SNAP TIGHT	
J 180	VS1 - 6313 - 020		2	CONNECTOR, 20P, FEMALE	
	VS1 - 6314 - 020		2	CONNECTOR, 20P, FEMALE	
	VS1 - 6327 - 040		1	CONNECTOR, 40P, FEMALE	
	VS1 - 6328 - 040		1	CONNECTOR, 40P, FEMALE	
	VT2 - 5161 - 040		2	HOLDER, CONNECTOR, 40P	
	WS3 - 5607 - 000		2	SOCKET CONTACT, 20-24AWG	
	WS3 - 5609 - 000		2	SOCKET CONTACT, 12-14AWG	
J 182	NPN			INTERNAL DELIVERY SENSOR	PS9
	VS1 - 6321 - 003		1	CONNECTOR, 3P, FEMALE	
J 184	NPN			EXTERNAL DELIVERY SENSOR	PS10
J 185	VS1 - 6321 - 003		1	CONNECTOR, 3P, FEMALE	
	NPN			FIXING EXIT SENSOR	PS11
	VS1 - 6321 - 003		1	CONNECTOR, 3P, FEMALE	
J 186	NPN			DELIVERY SPEED CHANGE CLUTCH	CL21
	VS1 - 5057 - 002		1	CONNECTOR, SNAP TIGHT	
J 187	VS1 - 6321 - 002		1	CONNECTOR, 2P, FEMALE	
	VS1 - 6314 - 010		2	CONNECTOR, 10P, FEMALE	
	VS1 - 6318 - 010		1	CONNECTOR, SNAP TIGHT	
J 188	NPN			CLEANING BELT SENSOR	PS7
	VS1 - 6320 - 003		1	CONNECTOR, 3P, FEMALE	
J 189	NPN			CLEANING BELT WARNING SENSOR	PS8
	VS1 - 6320 - 003		1	CONNECTOR, 3P, FEMALE	
J 190	NPN			FIXING MAIN THERMISTOR	TH1
	VS1 - 5057 - 002		1	CONNECTOR, SNAP TIGHT	
	VS1 - 6321 - 002		1	CONNECTOR, 2P, FEMALE	

FIGURE & KEY NO.	PART NUMBER	RANK	QTY	DESCRIPTION	SERIAL NUMBER / REMARKS	
B - J 191	NPN			FIXING SUB THERMISTOR	TH2	
	VS1 - 5057 - 003		1	CONNECTOR, SNAP TIGHT		
	VS1 - 6321 - 003		1	CONNECTOR, 3P, FEMALE		
	J 192	VS1 - 6314 - 006		2		CONNECTOR, 6P, FEMALE
		VS1 - 6318 - 006		1		CONNECTOR, SNAP TIGHT
J 194	NPN			CLAW JAM SENSOR	PS6	
	VS1 - 6321 - 003		1	CONNECTOR, 3P, FEMALE		
J 195	NPN			FLAPPER SOLENOID	SL3	
	VS1 - 6321 - 002		1	CONNECTOR, 2P, FEMALE		
J 196	NPN			CLEANING BELT SOLENOID	SL2	
J 197	VS1 - 5057 - 002		1	CONNECTOR, SNAP TIGHT		
	VS1 - 6321 - 002		1	CONNECTOR, 2P, FEMALE		
	VS1 - 6313 - 013		2	CONNECTOR, 13P, FEMALE		
	VS1 - 6314 - 013		2	CONNECTOR, 13P, FEMALE		
	VS1 - 6327 - 026		1	CONNECTOR, 26P, FEMALE		
J 198	VS1 - 6328 - 026		1	CONNECTOR, 26P, FEMALE		
	VT2 - 5161 - 026		2	HOLDER, CONNECTOR, 26P		
	WS3 - 5607 - 000		4	SOCKET CONTACT, 20-24AWG		
	WS3 - 5609 - 000		4	SOCKET CONTACT, 12-14AWG		
	VS1 - 5057 - 007		1	CONNECTOR, SNAP TIGHT		
J 199	VS1 - 6321 - 007		2	CONNECTOR, 7P, FEMALE	PS5	
	NPN			REGISTRATION SENSOR		
J 200	VS1 - 6321 - 003		1	CONNECTOR, 3P, FEMALE	CL2	
	NPN			REGISTRATION CLUTCH		
J 204	VS1 - 5057 - 002		1	CONNECTOR, SNAP TIGHT		
	VS1 - 6321 - 002		1	CONNECTOR, 2P, FEMALE		
	VS1 - 6321 - 004		2	CONNECTOR, 4P, FEMALE		
J 205	NPN			UNIT LOCK SOLENOID	SL4	
	VS1 - 5057 - 003		1	CONNECTOR, SNAP TIGHT		

FIGURE & KEY NO.	PART NUMBER	RANK	QTY	DESCRIPTION	SERIAL NUMBER / REMARKS
B - J 2 0 5	VS1 - 6321 - 003		1	CONNECTOR, 3P, FEMALE	
J 2 0 6	NPN			TRANSFER/SEP. CLEANING MOTOR	M9
	VS1 - 6321 - 002		1	CONNECTOR, 2P, FEMALE	
J 2 0 7	NPN			REGISTRATION BRAKE CLUTCH	CL3
	VS1 - 5057 - 002		1	CONNECTOR, SNAP TIGHT	
	VS1 - 6321 - 002		1	CONNECTOR, 2P, FEMALE	
J 2 0 8	NPN			FIXING/FEEDER LEVER SENSOR	PS28
	VS1 - 6321 - 003		1	CONNECTOR, 3P, FEMALE	
J 2 0 9	NPN			CURL FAN	FM6
	VS1 - 5057 - 003		1	CONNECTOR, SNAP TIGHT	
	VS1 - 6321 - 003		1	CONNECTOR, 3P, FEMALE	
J 2 1 0	VS1 - 5057 - 003		1	CONNECTOR, SNAP TIGHT	
	VS1 - 6321 - 003		2	CONNECTOR, 3P, FEMALE	
J 2 1 1	VS1 - 5057 - 006		1	CONNECTOR, SNAP TIGHT	
	VS1 - 6320 - 006		1	CONNECTOR, 6P, FEMALE	
	VS1 - 6321 - 006		1	CONNECTOR, 6P, FEMALE	
J 2 1 3	VS1 - 5057 - 006		1	CONNECTOR, SNAP TIGHT	
	VS1 - 6321 - 006		2	CONNECTOR, 6P, FEMALE	
J 2 1 4	VS1 - 5057 - 006		1	CONNECTOR, SNAP TIGHT	
	VS1 - 6321 - 006		2	CONNECTOR, 6P, FEMALE	
J 2 1 6	VS1 - 6314 - 002		2	CONNECTOR, 2P, FEMALE	
	VS1 - 6318 - 002		1	CONNECTOR, SNAP TIGHT	
J 2 1 7	NPN			DEVELOPEMENT 2 CLUTCH	CL20
	VS1 - 5057 - 002		1	CONNECTOR, SNAP TIGHT	
	VS1 - 6321 - 002		1	CONNECTOR, 2P, FEMALE	
J 2 2 2	VS1 - 5057 - 003		1	CONNECTOR, SNAP TIGHT	
	VS1 - 6321 - 003		2	CONNECTOR, 3P, FEMALE	
J 2 2 3	NPN			MULTI CURL INLET SENSOR	PS35
	VS1 - 6321 - 003		1	CONNECTOR, 3P, FEMALE	
J 2 2 4	VS1 - 5057 - 012		1	CONNECTOR, SNAP TIGHT	

FIGURE & KEY NO.	PART NUMBER	RANK	QTY	DESCRIPTION	SERIAL NUMBER / REMARKS
B - J 2 2 4	VS1 - 6321 - 012		2	CONNECTOR, 12P, FEMALE	
J 2 2 5	NPN			MULTI PAPER WIDTH SENSOR	SVR1
	VS1 - 5057 - 003		1	CONNECTOR, SNAP TIGHT	
	VS1 - 6321 - 003		1	CONNECTOR, 3P, FEMALE	
J 2 2 6	NPN			MULTI PAPER SENSOR	PS17
	VS1 - 6321 - 003		1	CONNECTOR, 3P, FEMALE	
J 2 2 7	NPN			MULTI PICK-UP SOLENOID	SL6
	VS1 - 5057 - 003		1	CONNECTOR, SNAP TIGHT	
	VS1 - 6321 - 003		1	CONNECTOR, 3P, FEMALE	
J 2 2 8	SYS			TO 3.5K SIDE PAPER DECK	ACCESSORY
	FH2 - 6480 - 000		1	CONNECTOR, FEMALE	
	VS1 - 5452 - 008		1	CONNECTOR, 8P, FEMALE	
	WS3 - 5596 - 000		4	PIN CONTACT, 18-24AWG	
J 2 2 9	VS1 - 6313 - 014		2	CONNECTOR, 14P, FEMALE	
	VS1 - 6314 - 014		2	CONNECTOR, 14P, FEMALE	
	VS1 - 6319 - 028		1	CONNECTOR, SNAP TIGHT	
J 2 3 0	VT2 - 5161 - 028		2	HOLDER, CONNECTOR, 28P	
	VS1 - 5057 - 002		1	CONNECTOR, SNAP TIGHT	
	VS1 - 6320 - 002		1	CONNECTOR, 2P, FEMALE	
	VS1 - 6321 - 002		1	CONNECTOR, 2P, FEMALE	
J 2 3 1	NPN			VERTICAL PATH 1 CLUTCH	CL8
	VS1 - 5057 - 002		1	CONNECTOR, SNAP TIGHT	
	VS1 - 6321 - 002		1	CONNECTOR, 2P, FEMALE	
J 2 3 2	NPN			RIGHT DECK LIFTER SENSOR	PS21
	VS1 - 6321 - 003		1	CONNECTOR, 3P, FEMALE	
J 2 3 3	NPN			RIGHT DECK PAPER SENSOR	PS22
	VS1 - 6321 - 003		1	CONNECTOR, 3P, FEMALE	
J 2 3 4	NPN			RIGHT PICK-UP SOLENOID	SL7
	VS1 - 5057 - 002		1	CONNECTOR, SNAP TIGHT	
	VS1 - 6321 - 002		1	CONNECTOR, 2P, FEMALE	

FIGURE & KEY NO.	PART NUMBER	RANK	QTY	DESCRIPTION	SERIAL NUMBER / REMARKS
B - J 2 3 5	VS1 - 5057 - 008		1	CONNECTOR, SNAP TIGHT	
	VS1 - 6321 - 008		2	CONNECTOR, 8P, FEMALE	
J 2 3 6	NPN			RIGHT DECK OPEN/CLOSE SENSOR	PS23
	VS1 - 6321 - 003		1	CONNECTOR, 3P, FEMALE	
J 2 3 7	NPN			RIGHT DECK LIMIT SENSOR	PS24

J 2 3 9	VS1 - 6321 - 003		1	CONNECTOR, 3P, FEMALE	ACCESSORY
	VS1 - 5057 - 007		1	CONNECTOR, SNAP TIGHT	
J 2 4 0	VS1 - 6321 - 007		2	CONNECTOR, 7P, FEMALE	
	SYS			TO ADF	
	VS1 - 5452 - 007		1	CONNECTOR, 7P, FEMALE	

J 2 4 1	WS3 - 5596 - 000		3	PIN CONTACT, 18-24AWG	FM8
	NPN			DRUM INTAKE FAN	
	VS1 - 5057 - 003		1	CONNECTOR, SNAP TIGHT	
J 2 4 2	VS1 - 6321 - 003		1	CONNECTOR, 3P, FEMALE	CL4
	NPN			DEVELOPING SLEEVE CLUTCH	

J 2 4 3	VS1 - 5057 - 002		1	CONNECTOR, SNAP TIGHT	
	VS1 - 6321 - 002		1	CONNECTOR, 2P, FEMALE	
	VS1 - 5057 - 007		1	CONNECTOR, SNAP TIGHT	
	VS1 - 5824 - 007		1	CONNECTOR, 7P, FEMALE	
	VS1 - 6321 - 007		1	CONNECTOR, 7P, FEMALE	

J 2 4 4	WS3 - 5358 - 000		7	SOCKET CONTACT, 22-26AWG	PS59
	NPN			CARTRIDGE DOOR SENSOR	
	VS1 - 5824 - 003		1	CONNECTOR, 3P, FEMALE	
J 2 4 5	WS3 - 5358 - 000		3	SOCKET CONTACT, 22-26AWG	
	VS1 - 5057 - 002		1	CONNECTOR, SNAP TIGHT	

J 2 4 6	VS1 - 5824 - 002		2	CONNECTOR, 2P, FEMALE	MSW8
	WS3 - 5358 - 000		4	SOCKET CONTACT, 22-26AWG	
	NPN			CARTRIDGE MOTOR DRIVE SWITCH	
	RH2 - 5283 - 000		1	CONNECTOR, 3P, FEMALE	
	WS3 - 5419 - 000		2	SOCKET CONTACT, 22-26AWG	

FIGURE & KEY NO.	PART NUMBER	RANK	QTY	DESCRIPTION	SERIAL NUMBER / REMARKS
B - J 247	NPN			CARTRIDGE MOTOR	M6
	VS1 - 6373 - 002		1	CONNECTOR, 2P, FEMALE	
	WS3 - 5569 - 000		2	SOCKET CONTACT, 22-28AWG	
J 248	NPN			CARTRIDGE DETECT SWITCH	MSW1
	VS1 - 6302 - 002		1	CONNECTOR, 2P, FEMALE	
J 249	WS3 - 5569 - 000		2	SOCKET CONTACT, 22-28AWG	
	VS1 - 5057 - 007		1	CONNECTOR, SNAP TIGHT	
	VS1 - 6321 - 007		2	CONNECTOR, 7P, FEMALE	
J 250	VS1 - 5057 - 007		1	CONNECTOR, SNAP TIGHT	
	VS1 - 6321 - 007		2	CONNECTOR, 7P, FEMALE	
J 251	NPN			WASTE TONER CLOGGING SWITCH	MSW2
	VS1 - 5057 - 002		1	CONNECTOR, SNAP TIGHT	
	VS1 - 6321 - 002		1	CONNECTOR, 2P, FEMALE	
J 252	VS1 - 5057 - 002		1	CONNECTOR, SNAP TIGHT	
	VS1 - 6321 - 002		2	CONNECTOR, 2P, FEMALE	
J 253	VS1 - 5057 - 002		1	CONNECTOR, SNAP TIGHT	
	VS1 - 6321 - 002		2	CONNECTOR, 2P, FEMALE	
J 254	VS1 - 5057 - 002		1	CONNECTOR, SNAP TIGHT	
	VS1 - 6321 - 002		2	CONNECTOR, 2P, FEMALE	
J 255	NPN			FRONT REGISTRATION CLUTCH	CL5
J 256	VS1 - 5057 - 002		1	CONNECTOR, SNAP TIGHT	SVR2
	VS1 - 6321 - 002		1	CONNECTOR, 2P, FEMALE	
	NPN			CASSETTE 3 PAPER WIDTH SENSOR	
	VS1 - 5057 - 003		1	CONNECTOR, SNAP TIGHT	
J 257	VS1 - 6321 - 003		1	CONNECTOR, 3P, FEMALE	SV1
	NPN			CASSETTE 3 PAPER LENGTH SENSOR	
	VS1 - 5057 - 004		1	CONNECTOR, SNAP TIGHT	
J 258	VS1 - 6321 - 004		1	CONNECTOR, 4P, FEMALE	
	VS1 - 5057 - 006		1	CONNECTOR, SNAP TIGHT	
	VS1 - 6321 - 006		2	CONNECTOR, 6P, FEMALE	

FIGURE & KEY NO.	PART NUMBER	RANK	QTY	DESCRIPTION	SERIAL NUMBER / REMARKS
B - J 2 5 9	NPN			RIGHT DECK PAPER MIDDLE SENSOR	PS51
	VS1 - 6321 - 003		1	CONNECTOR, 3P, FEMALE	
J 2 6 0	NPN			RIGHT DECK PAPER UPPER SENSOR	PS52
	VS1 - 6321 - 003		1	CONNECTOR, 3P, FEMALE	
J 2 6 1	VS1 - 5057 - 003		1	CONNECTOR, SNAP TIGHT	

	VS1 - 6321 - 003		2	CONNECTOR, 3P, FEMALE	
J 2 6 2	NPN			WASTE TONER FULL SENSOR	PS19
	VS1 - 6321 - 003		1	CONNECTOR, 3P, FEMALE	
J 2 6 3	NPN			RIGHT DECK LIFTER MOTOR	M13
	VS1 - 6321 - 002		1	CONNECTOR, 2P, FEMALE	

J 2 6 4	VS1 - 5057 - 002		1	CONNECTOR, SNAP TIGHT	
	VS1 - 6321 - 002		2	CONNECTOR, 2P, FEMALE	
J 2 6 5	NPN			CASSETTE 4 PAPER WIDTH SENSOR	SVR3
	VS1 - 5057 - 003		1	CONNECTOR, SNAP TIGHT	
	VS1 - 6321 - 003		1	CONNECTOR, 3P, FEMALE	

J 2 6 6	NPN			CASSETTE 4 PAPER LENGTH SENSOR	SV2
	VS1 - 5057 - 004		1	CONNECTOR, SNAP TIGHT	
	VS1 - 6321 - 004		1	CONNECTOR, 4P, FEMALE	
J 2 6 7	NPN			LEFT DECK LIFTER MOTOR	M14
	VS1 - 6321 - 002		1	CONNECTOR, 2P, FEMALE	

J 2 6 8	VS1 - 5057 - 006		1	CONNECTOR, SNAP TIGHT	
	VS1 - 6321 - 006		2	CONNECTOR, 6P, FEMALE	
J 2 6 9	NPN			LEFT DECK PAPER MIDDLE SENSOR	PS54
	VS1 - 6321 - 003		1	CONNECTOR, 3P, FEMALE	
J 2 7 0	NPN			LEFT DECK PAPER UPPER SENSOR	PS55

	VS1 - 6321 - 003		1	CONNECTOR, 3P, FEMALE	
J 2 7 1	NPN			FRONT REGIST. BRAKE CLUTCH	CL6
	VS1 - 6321 - 002		1	CONNECTOR, 2P, FEMALE	
	VS1 - 5057 - 002		1	CONNECTOR, SNAP TIGHT	
	FG6 - 3569 - 000		1	CABLE, BIAS SEPARATION CLAW	

FIGURE & KEY NO.	PART NUMBER	RANK	QTY	DESCRIPTION	SERIAL NUMBER / REMARKS
B - J 2 7 1	VS1 - 5729 - 002		1	CONNECTOR, 2P, MALE	
	WS3 - 5301 - 000		1	PIN CONTACT	
J 2 7 2	FG6 - 3568 - 000		1	CABLE, SEPARATION CLAW	
	FG6 - 3569 - 000		1	CABLE, BIAS SEPARATION CLAW	
J 2 7 6	NPN			RIGHT DECK PULL-OUT SENSOR	PS27
J 2 7 8	VS1 - 6314 - 004		1	CONNECTOR, 4P, FEMALE	
	NPN			RIGHT DECK PICK-UP SENSOR	PS20
J 2 8 0	VS1 - 6314 - 004		1	CONNECTOR, 4P, FEMALE	
	NPN			CASSETTE 3 PICK-UP SENSOR	PS37
	VS1 - 6314 - 004		1	CONNECTOR, 4P, FEMALE	
J 2 8 1	VS1 - 6313 - 013		2	CONNECTOR, 13P, FEMALE	
	VS1 - 6314 - 013		2	CONNECTOR, 13P, FEMALE	
	VS1 - 6319 - 026		1	CONNECTOR, SNAP TIGHT	
	VT2 - 5161 - 026		2	HOLDER, CONNECTOR, 26P	
J 2 8 2	VS1 - 5057 - 002		1	CONNECTOR, SNAP TIGHT	
J 2 8 3	VS1 - 6321 - 002		2	CONNECTOR, 2P, FEMALE	
	NPN			CASSETTE 3 VERT. PATH CLUTCH	CL13
	VS1 - 5057 - 002		1	CONNECTOR, SNAP TIGHT	
	VS1 - 6320 - 002		1	CONNECTOR, 2P, FEMALE	
J 2 8 4	NPN			CASSETTE 3 LIFTER SENSOR	PS38
J 2 8 5	VS1 - 6321 - 003		1	CONNECTOR, 3P, FEMALE	
	NPN			CASSETTE 3 PAPER DETECT SENSOR	PS39
	VS1 - 6321 - 003		1	CONNECTOR, 3P, FEMALE	
J 2 8 6	VS1 - 5057 - 008		1	CONNECTOR, SNAP TIGHT	
	VS1 - 6321 - 008		2	CONNECTOR, 8P, FEMALE	
J 2 8 7	NPN			CASSETTE 3 OPEN/CLOSE SENSOR	PS40
	VS1 - 6320 - 003		1	CONNECTOR, 3P, FEMALE	
J 2 8 9	NPN			CASSETTE 3 PICK-UP SOLENOID	SL9
	VS1 - 5057 - 002		1	CONNECTOR, SNAP TIGHT	
	VS1 - 6321 - 002		1	CONNECTOR, 2P, FEMALE	

FIGURE & KEY NO.	PART NUMBER	RANK	QTY	DESCRIPTION	SERIAL NUMBER / REMARKS
B - J 290	VS1 - 6313 - 011		2	CONNECTOR, 11P, FEMALE	
	VS1 - 6314 - 011		2	CONNECTOR, 11P, FEMALE	
	VS1 - 6319 - 022		1	CONNECTOR, SNAP TIGHT	
	VT2 - 5161 - 022		2	HOLDER, CONNECTOR, 22P	
J 291	VS1 - 5057 - 004		1	CONNECTOR, SNAP TIGHT	
J 292	VS1 - 6321 - 004		2	CONNECTOR, 4P, FEMALE	
	NPN			RIGHT DOOR LOWER OPEN SENSOR	PS48
	VS1 - 6321 - 003		1	CONNECTOR, 3P, FEMALE	
J 293	NPN			CASSETTE 3 LIFTER MOTOR	M16
	VS1 - 5057 - 002		1	CONNECTOR, SNAP TIGHT	
J 294	VS1 - 6321 - 002		1	CONNECTOR, 2P, FEMALE	
	VS1 - 5057 - 003		1	CONNECTOR, SNAP TIGHT	
	VS1 - 6321 - 003		2	CONNECTOR, 3P, FEMALE	
J 295	PCB			CASSETTE 3 PAPER DETECT	
	VS1 - 6321 - 003		1	CONNECTOR, 3P, FEMALE	
J 296	PCB			CASSETTE 4 PAPER DETECT	
	VS1 - 6321 - 003		1	CONNECTOR, 3P, FEMALE	
J 298	NPN			CASSETTE 3 VERT. PATH SENSOR	PS41
	VS1 - 6314 - 004		1	CONNECTOR, 4P, FEMALE	
J 301	NPN			CASSETTE 4 LIFTER MOTOR	M17
J 302	VS1 - 5057 - 002		1	CONNECTOR, SNAP TIGHT	
	VS1 - 6321 - 002		1	CONNECTOR, 2P, FEMALE	
	PCB			HUMIDITY SENSOR	
	VS1 - 6321 - 005		1	CONNECTOR, 5P, FEMALE	
J 303	VS1 - 5057 - 003		1	CONNECTOR, SNAP TIGHT	
J 304	VS1 - 6321 - 003		2	CONNECTOR, 3P, FEMALE	
	NPN			VERTICAL PATH 2 SENSOR	PS49
	VS1 - 6321 - 003		1	CONNECTOR, 3P, FEMALE	
J 305	VS1 - 6313 - 013		2	CONNECTOR, 13P, FEMALE	
	VS1 - 6314 - 013		2	CONNECTOR, 13P, FEMALE	

FIGURE & KEY NO.	PART NUMBER	RANK	QTY	DESCRIPTION	SERIAL NUMBER / REMARKS
B - J 3 0 5	VS1 - 6319 - 026		1	CONNECTOR, SNAP TIGHT	
	VT2 - 5161 - 026		2	HOLDER, CONNECTOR, 26P	
J 3 0 6	VS1 - 5057 - 002		1	CONNECTOR, SNAP TIGHT	
	VS1 - 6321 - 002		2	CONNECTOR, 2P, FEMALE	
J 3 0 7	NPN			CASSETTE 4 VERT. PATH CLUTCH	CL15
J 3 0 8	VS1 - 5057 - 002		1	CONNECTOR, SNAP TIGHT	
	VS1 - 6320 - 002		1	CONNECTOR, 2P, FEMALE	
	NPN			CASSETTE 4 LIFTER MOTOR	PS43
	VS1 - 6321 - 003		1	CONNECTOR, 3P, FEMALE	
J 3 0 9	NPN			CASSETTE 4 PAPER SENSOR	PS44
J 3 1 1	VS1 - 6321 - 003		1	CONNECTOR, 3P, FEMALE	
	NPN			CASSETTE 4 OPEN/CLOSE SENSOR	PS45
	VS1 - 6320 - 003		1	CONNECTOR, 3P, FEMALE	
J 3 1 3	NPN			CASSETTE 4 PICK-UP SOLENOID	SL10
	VS1 - 5057 - 002		1	CONNECTOR, SNAP TIGHT	
J 3 1 4	VS1 - 6321 - 002		1	CONNECTOR, 2P, FEMALE	
	VS1 - 6313 - 010		2	CONNECTOR, 10P, FEMALE	
	VS1 - 6314 - 010		2	CONNECTOR, 10P, FEMALE	
	VS1 - 6319 - 020		1	CONNECTOR, SNAP TIGHT	
	VT2 - 5161 - 020		2	HOLDER, CONNECTOR, 20P	
J 3 1 5	NPN			LEFT DECK LIFTER SENSOR	PS31
	VS1 - 6321 - 003		1	CONNECTOR, 3P, FEMALE	
J 3 1 6	NPN			LEFT DECK PAPER SENSOR	PS32
	VS1 - 6321 - 003		1	CONNECTOR, 3P, FEMALE	
J 3 1 7	VS1 - 5057 - 004		1	CONNECTOR, SNAP TIGHT	
J 3 1 8	VS1 - 6321 - 004		2	CONNECTOR, 4P, FEMALE	
	NPN			LEFT DECK OPEN/CLOSE SENSOR	PS33
	VS1 - 6321 - 003		1	CONNECTOR, 3P, FEMALE	
J 3 1 9	NPN			LEFT DECK LIMIT SENSOR	PS34
	VS1 - 6321 - 003		1	CONNECTOR, 3P, FEMALE	

FIGURE & KEY NO.	PART NUMBER	RANK	QTY	DESCRIPTION	SERIAL NUMBER / REMARKS
B - J 3 2 0	VS1 - 5057 - 002		1	CONNECTOR, SNAP TIGHT	SL8
	VS1 - 6321 - 002		2	CONNECTOR, 2P, FEMALE	
J 3 2 1	NPN			LEFT DECK PICK-UP SOLENOID	
	VS1 - 5057 - 002		1	CONNECTOR, SNAP TIGHT	
	VS1 - 6321 - 002		1	CONNECTOR, 2P, FEMALE	
J 3 2 2	FG6 - 8616 - 000		1	CABLE, THROUGH-PATH DRAWER	
	VS1 - 6313 - 016		1	CONNECTOR, 16P, FEMALE	
	VS1 - 6314 - 016		1	CONNECTOR, 16P, FEMALE	
	VS1 - 6328 - 032		1	CONNECTOR, 32P, FEMALE	
	VT2 - 5161 - 032		1	HOLDER, CONNECTOR, 32P	
J 3 2 3	WS3 - 5607 - 000		4	SOCKET CONTACT, 20-24AWG	M12
	FG6 - 8616 - 000		1	CABLE, THROUGH-PATH DRAWER	
	VS1 - 6702 - 012		1	CONNECTOR, 12P, FEMALE	
WS3 - 5720 - 000		12	SOCKET CONTACT, 22-28AWG		
J 3 2 4	NPN			DUPLEXING FEED MOTOR	
J 3 2 5	VS1 - 6702 - 006		1	CONNECTOR, 6P, FEMALE	M11
	WS3 - 5720 - 000		6	SOCKET CONTACT, 22-28AWG	
	NPN			DUPLEXING INVERT MOTOR	
	VS1 - 6702 - 007		1	CONNECTOR, 7P, FEMALE	
	WS3 - 5720 - 000		6	SOCKET CONTACT, 22-28AWG	
J 3 2 6	FG6 - 8616 - 000		1	CABLE, THROUGH-PATH DRAWER	PS14
	VS1 - 6314 - 003		1	CONNECTOR, 3P, FEMALE	
	VS1 - 6318 - 003		1	CONNECTOR, SNAP TIGHT	
J 3 2 7	NPN			FRONT JOINT SENSOR	
	VS1 - 6321 - 003		1	CONNECTOR, 3P, FEMALE	
J 3 2 8	NPN			LEFT DECK PULL SENSOR	PS26
	VS1 - 6314 - 004		1	CONNECTOR, 4P, FEMALE	
J 3 2 9	NPN			SIDE REGISTRATION MOTOR	M15
	FG6 - 8616 - 000		1	CABLE, THROUGH-PATH DRAWER	
J 3 3 0	FG6 - 8616 - 000		1	CABLE, THROUGH-PATH DRAWER	

FIGURE & KEY NO.	PART NUMBER	RANK	QTY	DESCRIPTION	SERIAL NUMBER / REMARKS
B - J 330	VS1 - 5057 - 009		1	CONNECTOR, SNAP TIGHT	CL17
	VS1 - 6321 - 009		1	CONNECTOR, 9P, FEMALE	
	J 331	NPN		LOWER FEED RIGHT CLUTCH	
	VS1 - 5057 - 002		1	CONNECTOR, SNAP TIGHT	
	VS1 - 6321 - 002		1	CONNECTOR, 2P, FEMALE	
J 332	NPN			LOWER FEED CENTER CLUTCH	CL16
	VS1 - 5057 - 002		1	CONNECTOR, SNAP TIGHT	
	VS1 - 6321 - 002		1	CONNECTOR, 2P, FEMALE	
J 333	NPN			LEFT DECK PULL CLUTCH	CL19
	VS1 - 5057 - 002		1	CONNECTOR, SNAP TIGHT	
J 334	VS1 - 6321 - 002		1	CONNECTOR, 2P, FEMALE	
	VS1 - 5057 - 003		1	CONNECTOR, SNAP TIGHT	
	VS1 - 5824 - 003		1	CONNECTOR, 3P, FEMALE	
	VS1 - 6321 - 003		1	CONNECTOR, 3P, FEMALE	
	WS3 - 5358 - 000		3	SOCKET CONTACT, 22-26AWG	
J 335	NPN			SIDE REGISTRATION SENSOR	PS18
	VS1 - 0279 - 003		1	CONNECTOR, 3P, FEMALE	
	WS3 - 0469 - 000		3	SOCKET CONTACT, 26-30AWG	
J 336	FG6 - 8616 - 000		1	CABLE, THROUGH-PATH DRAWER	
	VS1 - 5057 - 003		1	CONNECTOR, SNAP TIGHT	
J 337	VS1 - 6321 - 003		1	CONNECTOR, 3P, FEMALE	PS15
	NPN			AFTER JOINT SENSOR	
	VS1 - 6321 - 003		1	CONNECTOR, 3P, FEMALE	
J 338	FG6 - 8616 - 000		1	CABLE, THROUGH-PATH DRAWER	
	VS1 - 5057 - 003		1	CONNECTOR, SNAP TIGHT	
J 339	VS1 - 6321 - 003		1	CONNECTOR, 3P, FEMALE	PS61
	NPN			DUPLEXING OUTLET SENSOR	
J 340	VS1 - 6321 - 003		1	CONNECTOR, 3P, FEMALE	
	FG6 - 8616 - 000		1	CABLE, THROUGH-PATH DRAWER	
	VS1 - 5057 - 003		1	CONNECTOR, SNAP TIGHT	

FIGURE & KEY NO.	PART NUMBER	RANK	QTY	DESCRIPTION	SERIAL NUMBER / REMARKS
B - J 3 4 0	VS1 - 6321 - 003		2	CONNECTOR, 3P, FEMALE	PS12
J 3 4 1	NPN			DUPLEXING INVERT SENSOR	
	VS1 - 6321 - 003		1	CONNECTOR, 3P, FEMALE	
J 3 4 2	VS1 - 5057 - 003		1	CONNECTOR, SNAP TIGHT	
	VS1 - 6321 - 003		2	CONNECTOR, 3P, FEMALE	
J 3 4 3	VS1 - 6314 - 004		2	CONNECTOR, 4P, FEMALE	
	VS1 - 6318 - 004		1	CONNECTOR, SNAP TIGHT	
J 3 4 4	SYS			FOR RS-232C	
	VS1 - 6314 - 008		1	CONNECTOR, 8P, FEMALE	
	VS1 - 6318 - 008		1	CONNECTOR, SNAP TIGHT	
J 3 4 6	VS1 - 6314 - 003		2	CONNECTOR, 3P, FEMALE	
	VS1 - 6318 - 003		1	CONNECTOR, SNAP TIGHT	
J 3 4 7	VS1 - 6314 - 003		2	CONNECTOR, 3P, FEMALE	
	VS1 - 6318 - 003		1	CONNECTOR, SNAP TIGHT	
J 3 4 8	NPN			SCANNER MOTOR COOLING FAN	
J 3 5 0	VS1 - 6321 - 004		1	CONNECTOR, 4P, FEMALE	PS46
	VS1 - 5057 - 008		1	CONNECTOR, SNAP TIGHT	
	VS1 - 6321 - 008		2	CONNECTOR, 8P, FEMALE	
J 3 5 1	NPN			CASSETTE 4 VERT. PATH SENSOR	
	VS1 - 6314 - 004		1	CONNECTOR, 4P, FEMALE	
J 3 5 5	NPN			LEFT DECK PICK-UP SENSOR	PS25
	VS1 - 6314 - 004		1	CONNECTOR, 4P, FEMALE	PS42
J 3 5 9	NPN			CASSETTE 4 PICK-UP SENSOR	
	VS1 - 6314 - 004		1	CONNECTOR, 4P, FEMALE	
J 3 6 2	VS1 - 5057 - 002		1	CONNECTOR, SNAP TIGHT	
J 3 6 3	VS1 - 6321 - 002		2	CONNECTOR, 2P, FEMALE	
	VS1 - 5057 - 003		1	CONNECTOR, SNAP TIGHT	
	VS1 - 6321 - 003		2	CONNECTOR, 3P, FEMALE	
J 3 6 4	VS1 - 5057 - 003		1	CONNECTOR, SNAP TIGHT	
	VS1 - 6321 - 003		2	CONNECTOR, 3P, FEMALE	

FIGURE & KEY NO.	PART NUMBER	R A N K	Q' T Y	DESCRIPTION	SERIAL NUMBER / REMARKS	
B - J 3 6 5	VS1 - 5057 - 002		1	CONNECTOR, SNAP TIGHT		
	VS1 - 6321 - 002		2	CONNECTOR, 2P, FEMALE		
	J 3 6 6	FG6 - 8616 - 000		1	CABLE, THROUGH-PATH DRAWER	
		VS1 - 6314 - 004		1	CONNECTOR, 4P, FEMALE	
		VS1 - 6318 - 004		1	CONNECTOR, SNAP TIGHT	
J 3 8 0	FG6 - 8616 - 000		1	CABLE, THROUGH-PATH DRAWER		
	VS1 - 6702 - 006		1	CONNECTOR, 6P, FEMALE		
	WS3 - 5720 - 000		6	SOCKET CONTACT, 22-28AWG		
J 3 8 1	FG6 - 8616 - 000		1	CABLE, THROUGH-PATH DRAWER		
	VS1 - 5057 - 003		1	CONNECTOR, SNAP TIGHT		
J 3 8 2	VS1 - 6321 - 003		1	CONNECTOR, 3P, FEMALE	M19	
	NPN			DUPLEXING FEED MOTOR		
	VS1 - 6702 - 006		1	CONNECTOR, 6P, FEMALE		
J 3 8 3	WS3 - 5720 - 000		6	SOCKET CONTACT, 22-28AWG	FM19	
	NPN			DUPLEXING FEEDER FAN		
J 4 0 1	VS1 - 5057 - 003		1	CONNECTOR, SNAP TIGHT		
	VS1 - 6321 - 003		1	CONNECTOR, 3P, FEMALE		
	VS1 - 6314 - 004		2	CONNECTOR, 4P, FEMALE		
	VS1 - 6318 - 004		1	CONNECTOR, SNAP TIGHT		
J 4 0 2	VS1 - 6314 - 009		2	CONNECTOR, 9P, FEMALE		
J 4 0 3	VS1 - 6318 - 009		1	CONNECTOR, SNAP TIGHT		
	SYS			FOR RS-232C		
	VS1 - 6314 - 013		1	CONNECTOR, 13P, FEMALE		
J 4 0 4	VS1 - 6318 - 013		1	CONNECTOR, SNAP TIGHT		
	VS1 - 6314 - 011		2	CONNECTOR, 11P, FEMALE		
J 4 0 5	VS1 - 6318 - 011		1	CONNECTOR, SNAP TIGHT		
	VS1 - 6313 - 018		1	CONNECTOR, 18P, FEMALE		
	VS1 - 6314 - 018		1	CONNECTOR, 18P, FEMALE		
	VS1 - 6319 - 036		1	CONNECTOR, 36P, MALE		
	VT2 - 5161 - 036		1	HOLDER, CONNECTOR, 36P		

FIGURE & KEY NO.	PART NUMBER	RANK	QTY	DESCRIPTION	SERIAL NUMBER / REMARKS
B - J 4 0 7	VS1 - 6313 - 017		1	CONNECTOR, 17P, FEMALE	
	VS1 - 6314 - 017		1	CONNECTOR, 17P, FEMALE	
	VS1 - 6319 - 034		1	CONNECTOR, 34P, MALE	
	VT2 - 5161 - 034		1	HOLDER, CONNECTOR, 34P	
J 4 0 8	VS1 - 6314 - 005		2	CONNECTOR, 5P, FEMALE	
J 4 0 9	VS1 - 6318 - 005		1	CONNECTOR, SNAP TIGHT	ACCESSORY
	SYS			TO CARD READER	
J 4 1 1	VS1 - 6314 - 005		1	CONNECTOR, 5P, FEMALE	
	SYS		1	TO COIN ROBO	
J 4 1 2	VS1 - 6321 - 004		1	CONNECTOR, 4P, FEMALE	208V
	VS1 - 5057 - 004		1	CONNECTOR, SNAP TIGHT	208V
	SYS		1	TO COIN ROBO	
	VS1 - 0280 - 004		1	CONNECTOR, 4P, MALE	
	WS3 - 5016 - 000		4	PIN CONTACT, 30-26AWG	
J 5 0 1	FG6 - 3591 - 000		1	CCV SHORT CONNECTOR UNIT	208V
	PCB			DC CONTROLLER	
	VS3 - 5083 - 007		1	CONNECTOR, 7P, FEMALE	
J 5 0 2	WS3 - 5160 - 000		7	SOCKET CONTACT, 18-24AWG	
	PCB			DC CONTROLLER	
J 5 0 3	VS1 - 6313 - 011		1	CONNECTOR, 11P, FEMALE	
	VS1 - 6314 - 011		1	CONNECTOR, 11P, FEMALE	
	VT2 - 5161 - 022		1	HOLDER, CONNECTOR, 22P	
	PCB			DC CONTROLLER	
	VS1 - 6313 - 010		1	CONNECTOR, 10P, FEMALE	
J 5 0 4	VS1 - 6314 - 010		1	CONNECTOR, 10P, FEMALE	
	VT2 - 5161 - 020		1	HOLDER, CONNECTOR, 20P	
	PCB			DC CONTROLLER	
	VS1 - 6313 - 014		1	CONNECTOR, 14P, FEMALE	
	VS1 - 6314 - 014		1	CONNECTOR, 14P, FEMALE	

FIGURE & KEY NO.	PART NUMBER	R A N K	Q' T Y	DESCRIPTION	SERIAL NUMBER / REMARKS
B - J 5 0 4	VT2 - 5161 - 028		1	HOLDER, CONNECTOR, 28P	
J 5 0 5	PCB			DC CONTROLLER	
	VS1 - 6313 - 016		1	CONNECTOR, 16P, FEMALE	
	VS1 - 6314 - 016		1	CONNECTOR, 16P, FEMALE	
	VT2 - 5161 - 032		1	HOLDER, CONNECTOR, 32P	
J 5 0 6	PCB			DC CONTROLLER	
	VS1 - 6313 - 014		1	CONNECTOR, 14P, FEMALE	
	VS1 - 6314 - 014		1	CONNECTOR, 14P, FEMALE	
	VT2 - 5161 - 028		1	HOLDER, CONNECTOR, 28P	
J 5 0 7	PCB			DC CONTROLLER	
J 5 0 8	VS1 - 6313 - 008		1	CONNECTOR, 8P, FEMALE	
	VS1 - 6314 - 008		1	CONNECTOR, 8P, FEMALE	
	VT2 - 5161 - 016		1	HOLDER, CONNECTOR, 16P	
	PCB			DC CONTROLLER	
	VS1 - 6313 - 020		1	CONNECTOR, 20P, FEMALE	
J 5 0 9	VS1 - 6314 - 020		1	CONNECTOR, 20P, FEMALE	
	VT2 - 5161 - 040		1	HOLDER, CONNECTOR, 40P	
	PCB			DC CONTROLLER	
	VS1 - 6313 - 013		1	CONNECTOR, 13P, FEMALE	
	VS1 - 6314 - 013		1	CONNECTOR, 13P, FEMALE	
J 5 1 0	VT2 - 5161 - 026		1	HOLDER, CONNECTOR, 26P	
	PCB			DC CONTROLLER	
	VS1 - 6313 - 016		1	CONNECTOR, 16P, FEMALE	
	VS1 - 6314 - 016		1	CONNECTOR, 16P, FEMALE	
	VT2 - 5161 - 032		1	HOLDER, CONNECTOR, 32P	
J 5 1 1	PCB			DC CONTROLLER	
	VS1 - 6313 - 014		1	CONNECTOR, 14P, FEMALE	
	VS1 - 6314 - 014		1	CONNECTOR, 14P, FEMALE	
	VT2 - 5161 - 028		1	HOLDER, CONNECTOR, 28P	
J 5 1 2	PCB			DC CONTROLLER	

FIGURE & KEY NO.	PART NUMBER	R A N K	Q' T Y	DESCRIPTION	SERIAL NUMBER / REMARKS
B - J 5 1 2	VS1 - 6313 - 015		1	CONNECTOR, 15P, FEMALE	
	VS1 - 6314 - 015		1	CONNECTOR, 15P, FEMALE	
	VT2 - 5161 - 030		1	HOLDER, CONNECTOR, 30P	
J 5 1 3	PCB			DC CONTROLLER	
	VS1 - 6313 - 013		1	CONNECTOR, 13P, FEMALE	
J 5 1 4	VS1 - 6314 - 013		1	CONNECTOR, 13P, FEMALE	
	VT2 - 5161 - 026		1	HOLDER, CONNECTOR, 26P	
	PCB			DC CONTROLLER	
	VS1 - 6313 - 014		1	CONNECTOR, 14P, FEMALE	
	VS1 - 6314 - 014		1	CONNECTOR, 14P, FEMALE	
J 5 1 5	VT2 - 5161 - 028		1	HOLDER, CONNECTOR, 28P	
	PCB			DC CONTROLLER	
	VS1 - 6313 - 013		1	CONNECTOR, 13P, FEMALE	
	VS1 - 6314 - 013		1	CONNECTOR, 13P, FEMALE	
	VT2 - 5161 - 026		1	HOLDER, CONNECTOR, 26P	
J 5 1 6	PCB			DC CONTROLLER	
	VS1 - 6313 - 012		1	CONNECTOR, 12P, FEMALE	
	VS1 - 6314 - 012		1	CONNECTOR, 12P, FEMALE	
	VT2 - 5161 - 024		1	HOLDER, CONNECTOR, 24P	
J 5 1 7	PCB			DC CONTROLLER	
J 5 1 8	VS1 - 6313 - 013		1	CONNECTOR, 13P, FEMALE	
	VS1 - 6314 - 013		1	CONNECTOR, 13P, FEMALE	
	VT2 - 5161 - 026		1	HOLDER, CONNECTOR, 26P	
	PCB			DC CONTROLLER	
	VS1 - 6313 - 010		1	CONNECTOR, 10P, FEMALE	
J 5 1 9	VS1 - 6314 - 010		1	CONNECTOR, 10P, FEMALE	
	VT2 - 5161 - 020		1	HOLDER, CONNECTOR, 20P	
	PCB			DC CONTROLLER	
	VS1 - 6313 - 016		1	CONNECTOR, 16P, FEMALE	
	VS1 - 6314 - 016		1	CONNECTOR, 16P, FEMALE	

FIGURE & KEY NO.	PART NUMBER	RANK	QTY	DESCRIPTION	SERIAL NUMBER / REMARKS
B - J 5 1 9	VT2 - 5161 - 032		1	HOLDER, CONNECTOR, 32P	
J 5 2 0	PCB			DC CONTROLLER	
	VS1 - 6302 - 004		1	CONNECTOR, 4P, FEMALE	
	WS3 - 5680 - 000		4	SOCKET CONTACT, 20-24AWG	
J 5 2 3	PCB			DC CONTROLLER	

	VS1 - 6314 - 004		1	CONNECTOR, 4P, FEMALE	
J 5 2 6	PCB			DC CONTROLLER	
	VS1 - 6314 - 007		1	CONNECTOR, 7P, FEMALE	
J 5 2 9	PCB			DC CONTROLLER	
	VS1 - 6314 - 004		1	CONNECTOR, 4P, FEMALE	

J 6 0 1	NPN			DRUM MOTOR	M0
	VS3 - 5083 - 002		1	CONNECTOR, 2P, FEMALE	
	WS3 - 5160 - 000		2	SOCKET CONTACT, 18-24AWG	
J 6 0 2	NPN			DRUM MOTOR	
	VS1 - 6321 - 005		1	CONNECTOR, 5P, FEMALE	

J 6 1 1	NPN			MAIN MOTOR	M1
	VS3 - 5083 - 002		1	CONNECTOR, 2P, FEMALE	
	WS3 - 5160 - 000		2	SOCKET CONTACT, 18-24AWG	
J 6 1 2	NPN			MAIN MOTOR	M1
	VS1 - 6321 - 005		1	CONNECTOR, 5P, FEMALE	

J 6 2 1	NPN			PAPER PICK-UP MOTOR	M2
	VS3 - 5083 - 002		1	CONNECTOR, 2P, FEMALE	
	WS3 - 5160 - 000		2	SOCKET CONTACT, 18-24AWG	
J 6 2 2	NPN			PAPER PICK-UP MOTOR	
	VS1 - 6321 - 005		1	CONNECTOR, 5P, FEMALE	

J 6 5 1	NPN			FIXING DRIVE MOTOR	M3
	VS3 - 5083 - 002		1	CONNECTOR, 2P, FEMALE	
	WS3 - 5160 - 000		2	SOCKET CONTACT, 18-24AWG	
J 6 5 2	NPN			FIXING DRIVE MOTOR	M3
	VS1 - 6321 - 006		1	CONNECTOR, 6P, FEMALE	

FIGURE & KEY NO.	PART NUMBER	RANK	QTY	DESCRIPTION	SERIAL NUMBER / REMARKS
B - J 7 0 1	PCB			MACHINE POWER SUPPLY	
	VS3 - 5083 - 007		1	CONNECTOR, 7P, FEMALE	
J 7 2 1	WS3 - 5160 - 000		4	SOCKET CONTACT, 18-24AWG	
	PCB			HIGH VOLTAGE DC TRANSFORMER	
	VS1 - 6302 - 004		1	CONNECTOR, 4P, FEMALE	
J 7 2 2	WS3 - 5569 - 000		4	SOCKET CONTACT, 22-28AWG	
	PCB			HIGH VOLTAGE DC TRANSFORMER	
	VS1 - 6302 - 005		1	CONNECTOR, 5P, FEMALE	
J 7 2 3	WS3 - 5569 - 000		5	SOCKET CONTACT, 22-28AWG	
	PCB			HIGH VOLTAGE DC TRANSFORMER	
J 7 3 1	VS1 - 6314 - 016		1	CONNECTOR, 16P, FEMALE	
	PCB			HIGH VOLTAGE DC TRANSFORMER	
J 7 3 2	FH2 - 9231 - 000		1	JOINT CONNECTOR UNIT	
	PCB			HIGH VOLTAGE DC TRANSFORMER	
J 7 3 3	FH2 - 9231 - 000		1	JOINT CONNECTOR UNIT	
	PCB			HIGH VOLTAGE DC TRANSFORMER	
J 7 3 4	NPN			AC TRANSFORMER	
	PCB			HIGH VOLTAGE DC TRANSFORMER	
J 7 3 7	PCB			HIGH VOLTAGE DC TRANSFORMER	
J 7 4 1	VS3 - 5083 - 002		1	CONNECTOR, 2P, FEMALE	
	WS3 - 5160 - 000		1	SOCKET CONTACT, 18-24AWG	
	PCB			HIGH VOLTAGE AC TRANSFORMER	
	VS1 - 6302 - 005		1	CONNECTOR, 5P, FEMALE	
	WS3 - 5569 - 000		5	SOCKET CONTACT, 22-28AWG	
J 7 4 2	PCB			HIGH VOLTAGE AC TRANSFORMER	
	NPN			AC TRANSFORMER	
J 7 6 1	PCB			POLYGON MOTOR DRIVER	
	VS3 - 5083 - 003		1	CONNECTOR, 3P, FEMALE	
	WS3 - 5160 - 000		2	SOCKET CONTACT, 18-24AWG	

FIGURE & KEY NO.	PART NUMBER	RANK	QTY	DESCRIPTION	SERIAL NUMBER / REMARKS
B - J 7 6 2	PCB			POLYGON MOTOR DRIVER	
	VS1 - 6321 - 004		1	CONNECTOR, 4P, FEMALE	
J 7 6 3	PCB			POLYGON MOTOR DRIVER	
	VS1 - 6302 - 011		1	CONNECTOR, 11P, FEMALE	
	WS3 - 5569 - 000		11	SOCKET CONTACT, 22-28AWG	
J 7 6 4	NPN			POLYGON MOTOR	M4
	VS3 - 0315 - 011		1	CONNECTOR, 11P, FEMALE	
	WS3 - 1091 - 000		11	SOCKET CONTACT	
J 7 8 1	PCB			EVERYNIGHT POWER	
	VS1 - 6380 - 003		1	CONNECTOR, 3P, MALE	
J 7 8 2	PCB			EVERYNIGHT POWER	
	WS3 - 5292 - 000		2	SOCKET CONTACT	
	VS3 - 5083 - 006		1	CONNECTOR, 6P, FEMALE	
	WS3 - 5160 - 000		4	SOCKET CONTACT, 18-24AWG	
J 7 8 3	PCB			EVERYNIGHT POWER	
J 7 8 4	PCB			EVERYNIGHT POWER	
	VS1 - 6302 - 006		1	CONNECTOR, 6P, FEMALE	
	WS3 - 5680 - 000		6	SOCKET CONTACT, 20-24AWG	
	VS1 - 6321 - 003		1	CONNECTOR, 3P, FEMALE	
J 7 8 5	PCB			EVERYNIGHT POWER	
J 7 9 1	PCB			AC DRIVER	
	VS1 - 6321 - 004		1	CONNECTOR, 4P, FEMALE	
	VS1 - 6302 - 004		1	CONNECTOR, 4P, FEMALE	
	WS3 - 5569 - 000		4	SOCKET CONTACT, 22-28AWG	
J 7 9 2	PCB			AC DRIVER SUB	
J 8 0 1	PCB			SCANNER MOTOR DRIVER	
	VS1 - 6321 - 012		1	CONNECTOR, 12P, FEMALE	
	VS3 - 5083 - 007		1	CONNECTOR, 7P, FEMALE	
	WS3 - 5160 - 000		7	SOCKET CONTACT, 18-24AWG	
J 8 0 2	PCB			SCANNER MOTOR DRIVER	

FIGURE & KEY NO.	PART NUMBER	RANK	QTY	DESCRIPTION	SERIAL NUMBER / REMARKS
B - J 8 0 2	VS1 - 6321 - 012		1	CONNECTOR, 12P, FEMALE	M5
J 8 0 3	PCB			SCANNER MOTOR DRIVER	
	NPN			SCANNER MOTOR	
J 8 0 4	PCB			SCANNER MOTOR DRIVER	
	VS1 - 6321 - 003		1	CONNECTOR, 3P, FEMALE	
J 8 5 1	PCB			EXPOSURE CONTROLLER	
	VS3 - 5083 - 004		1	CONNECTOR, 4P, FEMALE	
	WS3 - 5160 - 000		4	SOCKET CONTACT, 18-24AWG	
J 8 5 2	PCB			EXPOSURE CONTROLLER	
	FH2 - 6574 - 000		1	CABLE, FLUORESCENT	
J 8 5 3	PCB			EXPOSURE CONTROLLER	PS60
	VS1 - 6321 - 005		1	CONNECTOR, 5P, FEMALE	
J 9 0 1	VS1 - 5057 - 003		1	CONNECTOR, SNAP TIGHT	
	VS1 - 6321 - 003		2	CONNECTOR, 3P, FEMALE	
J 9 0 2	NPN			WRITING SENSOR	
J 9 4 3	VS1 - 6321 - 003		1	CONNECTOR, 3P, FEMALE	
	PCB			INVERTER POWER	
	VS3 - 5083 - 004		1	CONNECTOR, 4P, FEMALE	
	WS3 - 5160 - 000		4	SOCKET CONTACT, 18-24AWG	
J 1 0 0 1	PCB			FLUORESCENT LAMP INVERTER	
J 1 0 0 2	VS3 - 5083 - 002		1	CONNECTOR, 2P, FEMALE	
	WS3 - 5160 - 000		2	SOCKET CONTACT, 18-24AWG	
	PCB			FLUORESCENT LAMP INVERTER	
	VS1 - 6321 - 008		1	CONNECTOR, 8P, FEMALE	
J 1 0 0 3	PCB			FLUORESCENT LAMP INVERTER	
J 1 0 0 6	FH2 - 6574 - 000		1	CABLE, FLUORESCENT	
	PCB			MAIN CONTROLLER	
	VS1 - 6314 - 009		1	CONNECTOR, 9P, FEMALE	
J 1 0 1 4	PCB			MAIN CONTROLLER	
	VS1 - 6407 - 080		1	CONNECTOR, 80P, FEMALE	

FIGURE & KEY NO.	PART NUMBER	RANK	QTY	DESCRIPTION	SERIAL NUMBER / REMARKS
B - J 1 0 1 5	PCB			PIXEL/LINE CHANGE	
	PCB			MAIN CONTROLLER	
J 1 0 1 7	PCB			MAIN CONTROLLER	
	VS1 - 6619 - 040		1	CONNECTOR, 40P, FEMALE	
J 1 0 1 8	PCB			MAIN CONTROLLER	
	VS1 - 6313 - 018		2	CONNECTOR, 18P, FEMALE	
	VT2 - 5161 - 036		1	HOLDER, CONNECTOR, 36P	
J 1 0 1 9	PCB			MAIN CONTROLLER	
	VS1 - 6313 - 013		2	CONNECTOR, 13P, FEMALE	
	VT2 - 5161 - 026		1	HOLDER, CONNECTOR, 26P	
J 1 0 2 0	PCB			MAIN CONTROLLER	
	VS1 - 6302 - 015		1	CONNECTOR, 15P, MALE	
	WS3 - 5680 - 000		14	SOCKET CONTACT, 20-24AWG	
J 1 0 2 1	PCB			MAIN CONTROLLER	
	VS1 - 6314 - 003		1	CONNECTOR, 3P, FEMALE	
J 1 0 2 2	PCB			MAIN CONTROLLER	
	VS1 - 6321 - 006		1	CONNECTOR, 6P, FEMALE	
J 1 0 2 3	PCB			MAIN CONTROLLER	
	VS1 - 6314 - 011		1	CONNECTOR, 11P, FEMALE	
J 1 0 2 4	PCB			MAIN CONTROLLER	
J 1 0 2 7	VS1 - 6314 - 010		1	CONNECTOR, 10P, FEMALE	
	PCB			MAIN CONTROLLER	
	VS1 - 6302 - 002		1	CONNECTOR, 2P, FEMALE	
	WS3 - 5680 - 000		2	SOCKET CONTACT, 20-24AWG	
J 1 0 2 8	PCB			MAIN CONTROLLER	
J 1 0 5 8	NPN			SYSTEM FAN	FM16
	PCB			MAIN CONTROLLER	
	VS1 - 6302 - 004		1	CONNECTOR, 4P, FEMALE	
	WS3 - 5680 - 000		4	SOCKET CONTACT, 20-24AWG	
J 1 0 6 0	PCB			MAIN CONTROLLER	

FIGURE & KEY NO.	PART NUMBER	RANK	QTY	DESCRIPTION	SERIAL NUMBER / REMARKS	
B - J 1 0 6 0	VS1 - 6321 - 004		1	CONNECTOR, 4P, FEMALE	208V	
	VS1 - 6321 - 004		1	CONNECTOR, 4P, FEMALE		
J 1 0 6 1	PCB			MAIN CONTROLLER		
	VS1 - 6314 - 004		1	CONNECTOR, 4P, FEMALE		
J 1 0 9 1	NPN			HARD DISK		

J 1 1 0 1	X62 - 5133 - 000		4	SOCKET CONTACT, 18-24AWG		
	PCB			READER CONTROLLER		
	VS1 - 6302 - 008		1	CONNECTOR, 8P, FEMALE		
J 1 1 0 2	WS3 - 5569 - 000		8	SOCKET CONTACT, 22-28AWG		
	PCB			READER CONTROLLER		

J 1 1 0 3	VS1 - 6302 - 009		1	CONNECTOR, 9P, FEMALE		
	WS3 - 5680 - 000		8	SOCKET CONTACT, 20-24AWG		
	PCB			DOCUMENT DETECT		
J 1 1 0 4	PCB			READER CONTROLLER		
	PCB			READER CONTROLLER		

J 1 1 0 7	FH2 - 6756 - 000		1	CABLE, DDI-S INTERFACE		
	PCB			READER CONTROLLER		
J 1 1 0 8	FH2 - 6899 - 000		1	CABLE, FLAT		
	PCB			READER CONTROLLER		
J 1 1 0 9	FH2 - 6898 - 000		1	CABLE, FLAT		
	PCB			READER CONTROLLER		
J 1 1 1 0	VS1 - 6313 - 013		1	CONNECTOR, 13P, FEMALE		
	VS1 - 6314 - 013		1	CONNECTOR, 13P, FEMALE		
	VT2 - 5161 - 026		1	HOLDER, CONNECTOR, 26P		
	PCB			READER CONTROLLER		

J 1 1 1 2	VS1 - 6313 - 010		1	CONNECTOR, 10P, FEMALE		
	VS1 - 6314 - 010		1	CONNECTOR, 10P, FEMALE		
	VT2 - 5161 - 020		1	HOLDER, CONNECTOR, 20P		
	PCB			READER CONTROLLER		
	VS1 - 6314 - 012		1	CONNECTOR, 12P, FEMALE		

FIGURE & KEY NO.	PART NUMBER	RANK	QTY	DESCRIPTION	SERIAL NUMBER / REMARKS
B - J 1 1 1 3	PCB			READER CONTROLLER	
	VS1 - 6314 - 004		1	CONNECTOR, 4P, FEMALE	
J 1 1 1 4	PCB			READER CONTROLLER	
	VS1 - 6321 - 006		1	CONNECTOR, 6P, FEMALE	
J 1 3 0 1	PCB			LASER DRIVER 1	
	PCB			LASER DRIVER 2	
J 1 3 0 2	PCB			LASER DRIVER 2	
	FH2 - 6900 - 000		1	CABLE, SHIELD	
J 1 3 0 3	PCB			LASER DRIVER 2	
	VS1 - 6314 - 016		1	CONNECTOR, 16P, FEMALE	
J 1 3 0 4	PCB			LASER DRIVER 2	
	VS1 - 6314 - 006		1	CONNECTOR, 6P, FEMALE	
J 1 3 0 5	PCB			LASER DRIVER 1	
	VS1 - 6302 - 004		1	CONNECTOR, 4P, FEMALE	
	WS3 - 5680 - 000		4	SOCKET CONTACT, 20-24AWG	
J 1 4 5 1	PCB			PIXEL/LINE CHANGE	
	PCB			MAIN CONTROLLER	
J 1 4 5 2	PCB			PIXEL/LINE CHANGE	
	FH2 - 6900 - 000		1	CABLE, SHIELD	
J 1 4 5 3	PCB			PIXEL/LINE CHANGE	
	VS1 - 6313 - 014		1	CONNECTOR, 14P, FEMALE	
	VS1 - 6314 - 014		1	CONNECTOR, 14P, FEMALE	
	VT2 - 5161 - 028		1	HOLDER, CONNECTOR, 28P	
J 1 4 5 4	PCB			PIXEL/LINE CHANGE	
	VS3 - 5083 - 004		1	CONNECTOR, 4P, FEMALE	
J 1 4 6 1	WS3 - 5160 - 000		4	SOCKET CONTACT, 18-24AWG	
	PCB			BICENTRO/DISPLAY INTERFACE	
	VS1 - 6313 - 017		1	CONNECTOR, 17P, FEMALE	
	VS1 - 6314 - 017		1	CONNECTOR, 17P, FEMALE	
	VT2 - 5161 - 034		1	HOLDER, CONNECTOR, 34P	

FIGURE & KEY NO.	PART NUMBER	RANK	QTY	DESCRIPTION	SERIAL NUMBER / REMARKS
B - J 1 5 0 1	PCB			CCD	
	VS1 - 6302 - 008		1	CONNECTOR, 8P, FEMALE	
	WS3 - 5569 - 000		8	SOCKET CONTACT, 22-28AWG	
J 1 5 0 2	PCB			CCD	
	FH2 - 6899 - 000		1	CABLE, FLAT	
J 1 5 0 3	PCB			CCD	
	FH2 - 6898 - 000		1	CABLE, FLAT	
J 1 5 5 1	NPN			HARD DISK	
	VS1 - 6619 - 040		1	CONNECTOR, 40P, FEMALE	
J 1 7 0 1	PCB			RELAY	
J 1 7 0 2	PCB			MACHINE POWER SUPPLY	
	PCB			RELAY	
J 1 7 0 3	PCB			MACHINE POWER SUPPLY	
	PCB			RELAY	
J 1 7 0 4	PCB			RELAY	
	PCB			MACHINE POWER SUPPLY	
J 1 7 0 5	PCB			RELAY	
	PCB			MACHINE POWER SUPPLY	
J 1 7 0 6	PCB			RELAY	
J 1 7 1 2	PCB			MACHINE POWER SUPPLY	
	PCB			RELAY	
J 1 7 1 3	VS1 - 6302 - 008		1	CONNECTOR, 8P, FEMALE	
	WS3 - 5680 - 000		8	SOCKET CONTACT, 20-24AWG	
J 1 7 1 4	PCB			RELAY	
	VS3 - 5083 - 015		1	CONNECTOR, 15P, FEMALE	
	WS3 - 5160 - 000		15	SOCKET CONTACT, 18-24AWG	
	PCB			RELAY	
	VS1 - 6302 - 012		1	CONNECTOR, 12P, FEMALE	
	WS3 - 5680 - 000		12	SOCKET CONTACT, 20-24AWG	

FIGURE & KEY NO.	PART NUMBER	R A N K	Q' T Y	DESCRIPTION	SERIAL NUMBER / REMARKS
B - J 1 7 1 5	PCB			RELAY	
	VS1 - 6302 - 003		1	CONNECTOR, 3P, FEMALE	
	WS3 - 5680 - 000		2	SOCKET CONTACT, 20-24AWG	
J 1 7 1 6	PCB			RELAY	
	VS1 - 6302 - 015		1	CONNECTOR, 15P, MALE	
J 1 7 1 8	WS3 - 5680 - 000		14	SOCKET CONTACT, 20-24AWG	
	PCB			RELAY	
	VS3 - 5083 - 007		1	CONNECTOR, 7P, FEMALE	
	WS3 - 5160 - 000		6	SOCKET CONTACT, 18-24AWG	
J 1 7 1 9	PCB		RELAY		
J 1 7 2 0	VS1 - 6314 - 010		1	CONNECTOR, 10P, FEMALE	
	PCB			RELAY	
	VS1 - 6302 - 008		1	CONNECTOR, 8P, FEMALE	
J 1 7 2 1	WS3 - 5680 - 000		8	SOCKET CONTACT, 20-24AWG	
	PCB			RELAY	
J 1 7 2 2	VS1 - 6302 - 013		1	CONNECTOR, 13P, FEMALE	
	WS3 - 5680 - 000		11	SOCKET CONTACT, 20-24AWG	
	PCB			RELAY	
	VS1 - 6302 - 002		1	CONNECTOR, 2P, FEMALE	
	WS3 - 5680 - 000		2	SOCKET CONTACT, 20-24AWG	
J 1 7 2 3	PCB			RELAY	
	VS1 - 6302 - 009		1	CONNECTOR, 9P, FEMALE	
	WS3 - 5569 - 000		8	SOCKET CONTACT, 22-28AWG	
J 1 7 2 4	PCB			RELAY	
	VS3 - 5083 - 008		1	CONNECTOR, 8P, FEMALE	
J 1 7 2 7	WS3 - 5160 - 000		8	SOCKET CONTACT, 18-24AWG	
	PCB			RELAY	
J 1 7 2 8	VS1 - 6321 - 003		1	CONNECTOR, 3P, FEMALE	
	PCB			RELAY	
	VS1 - 6314 - 003		1	CONNECTOR, 3P, FEMALE	

FIGURE & KEY NO.	PART NUMBER	RANK	QTY	DESCRIPTION	SERIAL NUMBER / REMARKS
B - J 1 9 0 1	PCB			DOCUMENT DETECT	
	PCB			READER CONTROLLER	
J 2 0 3 0	VS1 - 6302 - 004		1	CONNECTOR, 4P, FEMALE	
	VS1 - 6702 - 004		1	CONNECTOR, 4P, FEMALE	
	WS3 - 5569 - 000		4	SOCKET CONTACT, 22-28AWG	
	WS3 - 5720 - 000		4	SOCKET CONTACT, 22-28AWG	
J 2 0 3 1	NPN			SEPARATION FAN	FM13
	VS1 - 6302 - 004		1	CONNECTOR, 4P, FEMALE	
	WS3 - 5569 - 000		4	SOCKET CONTACT, 22-28AWG	
J 2 2 7 0	VS1 - 5057 - 003		1	CONNECTOR, SNAP TIGHT	
	VS1 - 6320 - 003		1	CONNECTOR, 3P, FEMALE	
	VS1 - 6321 - 003		1	CONNECTOR, 3P, FEMALE	
J 3 6 0 1	PCB			THROUGH-PATH	
	FG6 - 8616 - 000		1	CABLE, THROUGH-PATH DRAWER	
J 3 6 0 2	PCB			THROUGH-PATH	
	FG6 - 8616 - 000		1	CABLE, THROUGH-PATH DRAWER	
J 3 6 0 3	PCB			THROUGH-PATH	
	FG6 - 8616 - 000		1	CABLE, THROUGH-PATH DRAWER	
J 3 6 0 4	PCB			THROUGH-PATH	
	NPN			INVERT GUIDE SOLENOID	SL11
J 3 6 0 5	PCB			THROUGH-PATH	
	FG6 - 8616 - 000		1	CABLE, THROUGH-PATH DRAWER	
J 3 6 0 7	PCB			THROUGH-PATH	
	FG6 - 8616 - 000		1	CABLE, THROUGH-PATH DRAWER	
J 3 6 0 8	PCB			THROUGH-PATH	
	FG6 - 8616 - 000		1	CABLE, THROUGH-PATH DRAWER	
J 3 6 0 9	PCB			THROUGH-PATH	
	FG6 - 8616 - 000		1	CABLE, THROUGH-PATH DRAWER	
J 3 7 0 1	PCB			BEAM DETECT	
	VS1 - 6314 - 005		1	CONNECTOR, 5P, FEMALE	

FIGURE & KEY NO.	PART NUMBER	RANK	QTY	DESCRIPTION	SERIAL NUMBER / REMARKS	
B - J 5 0 2 9	VS1 - 6314 - 004		2	CONNECTOR, 4P, FEMALE	M10	
	VS1 - 6318 - 004		1	CONNECTOR, SNAP TIGHT		
J 5 0 3 0	VS1 - 6314 - 005		2	CONNECTOR, 5P, FEMALE		
	VS1 - 6318 - 005		1	CONNECTOR, SNAP TIGHT		
J 5 0 3 1	NPN		VIBRATION MOTOR			
J 5 0 3 2	VS1 - 5057 - 002		1	CONNECTOR, SNAP TIGHT		M20
	VS1 - 6321 - 002		1	CONNECTOR, 2P, FEMALE		
	NPN			VIBRATION MOTOR		
	VS1 - 5057 - 002		1	CONNECTOR, SNAP TIGHT		
	VS1 - 6321 - 002		1	CONNECTOR, 2P, FEMALE		
J 6 8 0 1	PCB			CONTROL PANEL CPU		
	FH2 - 6791 - 000		1	CABLE, CONTROL		
J 6 8 0 2	PCB			CONTROL PANEL CPU		
	VS1 - 0842 - 015		1	CONNECTOR, 15P, FEMALE		
J 6 8 0 3	PCB			CONTROL PANEL CPU		
J 6 8 0 4	NPN			LCD CONTROL/ANALOG TOUCH PANEL		
	PCB			CONTROL PANEL CPU		
	VS1 - 0842 - 003		1	CONNECTOR, 3P, FEMALE		
J 6 8 0 5	PCB			CONTROL PANEL CPU		
	VS1 - 0842 - 014		1	CONNECTOR, 14P, FEMALE		
J 7 0 0 1	PCB			BICENTRO/DISPLAY INTERFACE		
	FH2 - 6791 - 000		1	CABLE, CONTROL		
J 7 0 0 2	PCB			BICENTRO/DISPLAY INTERFACE		
	VS1 - 6313 - 018		1	CONNECTOR, 18P, FEMALE		
	VS1 - 6314 - 018		1	CONNECTOR, 18P, FEMALE		
J 9 0 0 1	VT2 - 5161 - 036		1	HOLDER, CONNECTOR, 36P		
	PCB			SERIAL NUMBER		
J 9 2 0 1	VS1 - 6314 - 011		1	CONNECTOR, 11P, FEMALE		
	PCB			LVDS		
	VS1 - 6407 - 080		1	CONNECTOR, 80P, FEMALE		

FIGURE & KEY NO.	PART NUMBER	RANK	QTY	DESCRIPTION	SERIAL NUMBER / REMARKS
B - J 9 2 0 2	PCB			LVDS	
	FH2 - 6756 - 000		1	CABLE, DDI-S INTERFACE	
J 9 2 0 3	PCB			LVDS	
	VS1 - 6314 - 004		1	CONNECTOR, 4P, FEMALE	
J 9 8 0 2	PCB			CONTROL PANEL CPU	
	NPN			LCD CONTROL/ANALOG TOUCH PANEL	

D NUMERICAL INDEX

PART NUMBER	FIGURE & KEY NO.	PART NUMBER	FIGURE & KEY NO.	PART NUMBER	FIGURE & KEY NO.
97 - 5527 - 000	550 - 1	FA9 - 3822 - 000	260 - 1	FB2 - 7631 - 020	311 - 11
	570 - 1		264 - 1	FB2 - 7633 - 000	311 - 12
FA2 - 1498 - 000	550 - 2		275 - 1		312 - 11
	580 - 1		360 - 3	FB2 - 7641 - 000	311 - 13
FA2 - 1753 - 000	320 - 1		580 - 2		312 - 12
FA2 - 7162 - 000	100 - 1		600 - 5	FB2 - 7642 - 000	311 - 14
FA2 - 8361 - 000	215 - 1		640 - 3		312 - 13
FA2 - 9037 - 000	810 - 1		810 - 6	FB2 - 7652 - 000	302 - 7
FA3 - 0515 - 000	640 - 1	FA9 - 3827 - 000	311 - 3		303 - 7
FA3 - 2118 - 000	550 - 3	FA9 - 3857 - 000	316 - 1	FB2 - 7696 - 000	311 - 15
FA3 - 2128 - 000	570 - 2	FA9 - 3878 - 000	600 - 6		312 - 14
FA3 - 2394 - 000	510 - 7 A	FB1 - 0715 - 000	420 - 1		313 - 6
FA3 - 2395 - 000	510 - 7 B	FB1 - 6655 - 000	430 - 2	FB2 - 7715 - 020	313 - 7
FA3 - 2471 - 000	720 - 1	FB1 - 6663 - 000	430 - 3	FB2 - 7716 - 000	313 - 8
FA3 - 2472 - 000	720 - 2		430 - 4	FB2 - 7717 - 000	313 - 9
FA3 - 2473 - 000	720 - 3	FB1 - 6833 - 000	810 - 7	FB2 - 7718 - 000	313 - 10
FA3 - 2474 - 000	720 - 4	FB1 - 7041 - 000	360 - 4	FB2 - 7720 - 000	313 - 11
FA3 - 2475 - 000	720 - 5	FB1 - 7070 - 000	313 - 3	FB2 - 7721 - 000	313 - 12
FA3 - 2476 - 000	720 - 6	FB1 - 7109 - 000	210 - 3	FB2 - 7722 - 000	313 - 13
FA3 - 2477 - 000	720 - 7		210 - 4	FB2 - 7723 - 000	313 - 14
FA3 - 2478 - 000	720 - 8	FB1 - 7112 - 000	210 - 5	FB2 - 7724 - 000	313 - 15
FA3 - 2479 - 000	720 - 9	FB1 - 7157 - 000	100 - 3	FB2 - 7740 - 020	302 - 8
FA3 - 2480 - 000	720 - 10	FB1 - 8619 - 000	316 - 2		303 - 8
FA3 - 2481 - 000	720 - 11	FB1 - 8620 - 000	316 - 3		316 - 7
FA3 - 2565 - 000	570 - 3	FB1 - 8621 - 000	316 - 4	FB2 - 7750 - 000	100 - 6
FA3 - 2764 - 020	350 - 1	FB1 - 8625 - 000	316 - 5	FB2 - 7755 - 000	100 - 7
FA3 - 8004 - 000	570 - 4	FB1 - 8735 - 000	107 - 1		100 - 8
FA3 - 8727 - 000	315 - 1	FB1 - 8737 - 000	107 - 2		360 - 6
FA3 - 8894 - 000	810 - 2	FB2 - 0037 - 000	100 - 4	FB2 - 7758 - 000	303 - 9
FA3 - 9120 - 000	325 - 1	FB2 - 1035 - 000	320 - 2	FB2 - 7841 - 000	260 - 2
FA3 - 9315 - 000	130 - 1	FB2 - 1047 - 000	250 - 3	FB2 - 7864 - 000	100 - 9
FA4 - 0207 - 000	645 - 1	FB2 - 1382 - 000	215 - 2	FB2 - 7887 - 040	104 - 5
FA4 - 1149 - 000	325 - 2	FB2 - 1492 - 000	100 - 5		104 - 6
FA4 - 1819 - 000	600 - 1	FB2 - 1947 - 000	420 - 2	FB2 - 7888 - 030	104 - 7
FA4 - 2037 - 000	600 - 2	FB2 - 1954 - 000	420 - 3	FB2 - 7899 - 000	108 - 1
FA4 - 8609 - 000	940 - 1	FB2 - 2139 - 020	360 - 5	FB2 - 7900 - 000	108 - 2
FA5 - 2839 - 000	325 - 3	FB2 - 6043 - 000	300 - 2	FB2 - 7981 - 000	775 - 3
FA5 - 2872 - 000	313 - 1	FB2 - 6044 - 000	300 - 3	FB2 - 8002 - 030	102 - 1
FA5 - 2924 - 000	104 - 1	FB2 - 6285 - 000	325 - 4	FB2 - 8003 - 000	102 - 2
FA5 - 4266 - 000	315 - 2		775 - 2	FB2 - 8010 - 000	102 - 3
FA5 - 4400 - 000	810 - 3	FB2 - 6310 - 000	210 - 6		105 - 2
FA5 - 4403 - 000	810 - 4	FB2 - 6850 - 000	580 - 3	FB2 - 8021 - 000	100 - 10
FA6 - 0648 - 000	510 - 1	FB2 - 6897 - 000	600 - 4 9 A	FB2 - 8033 - 020	104 - 8
FA6 - 0745 - 000	100 - 2	FB2 - 7056 - 000	320 - 3	FB2 - 8041 - 000	103 - 1
FA6 - 3672 - 000	360 - 1	FB2 - 7096 - 000	580 - 4	FB2 - 8043 - 000	100 - 11
FA6 - 6457 - 000	311 - 1	FB2 - 7137 - 000	351 - 1	FB2 - 8102 - 000	100 - 12
FA6 - 7728 - 000	315 - 3	FB2 - 7163 - 000	350 - 2	FB2 - 8167 - 000	210 - 7
FA6 - 7737 - 000	315 - 4	FB2 - 7168 - 000	350 - 3	FB2 - 8192 - 000	320 - 6
FA6 - 7822 - 000	640 - 2	FB2 - 7169 - 000	350 - 4	FB2 - 8196 - 020	320 - 7
FA6 - 7865 - 000	600 - 3	FB2 - 7174 - 040	350 - 5	FB2 - 8198 - 000	320 - 8
FA6 - 7939 - 000	360 - 2	FB2 - 7181 - 000	351 - 2	FB2 - 8204 - 000	320 - 9
FA6 - 8003 - 000	810 - 5	FB2 - 7228 - 000	810 - 8	FB2 - 8213 - 000	320 - 10
FA6 - 8071 - 000	315 - 5	FB2 - 7238 - 000	810 - 9	FB2 - 8214 - 000	320 - 11
FA6 - 8304 - 000	250 - 1	FB2 - 7240 - 000	810 - 10	FB2 - 8217 - 020	320 - 12
FA6 - 9971 - 000	302 - 1	FB2 - 7242 - 000	320 - 4	FB2 - 8226 - 000	100 - 13
	303 - 1	FB2 - 7243 - 000	320 - 5	FB2 - 8227 - 000	315 - 12
FA6 - 9986 - 000	302 - 2	FB2 - 7261 - 000	810 - 11	FB2 - 8248 - 020	105 - 3
	303 - 2	FB2 - 7264 - 000	810 - 12	FB2 - 8266 - 000	311 - 16
FA6 - 9988 - 020	302 - 3	FB2 - 7515 - 020	315 - 7		312 - 15
	303 - 3	FB2 - 7521 - 000	316 - 6	FB2 - 8302 - 000	600 - 7
FA6 - 9989 - 000	302 - 4	FB2 - 7537 - 000	315 - 8	FB2 - 8345 - 000	101 - 3
	303 - 4	FB2 - 7542 - 000	315 - 9	FB2 - 8376 - 000	320 - 13
FA9 - 1449 - 000	460 - 1	FB2 - 7545 - 000	315 - 10	FB2 - 8384 - 000	315 - 13
FA9 - 1800 - 000	210 - 1	FB2 - 7558 - 000	315 - 11	FB2 - 8402 - 000	775 - 4
FA9 - 1969 - 000	104 - 2	FB2 - 7559 - 000	101 - 1	FB2 - 8410 - 000	311 - 17
	104 - 3	FB2 - 7560 - 000	101 - 2		312 - 16
FA9 - 1990 - 000	430 - 1	FB2 - 7593 - 000	311 - 4	FB2 - 8436 - 000	311 - 18
FA9 - 2112 - 000	261 - 1		312 - 3	FB2 - 8465 - 000	302 - 9
	302 - 5	FB2 - 7603 - 000	312 - 4		303 - 10
	303 - 5	FB2 - 7605 - 000	311 - 5	FB2 - 8506 - 000	108 - 3
	311 - 2		312 - 5	FB2 - 8512 - 000	311 - 19
	312 - 1	FB2 - 7606 - 000	311 - 6		312 - 17
	313 - 2		312 - 6		313 - 16
	775 - 1	FB2 - 7607 - 020	311 - 7	FB2 - 9248 - 000	231 - 1
FA9 - 2469 - 000	210 - 2	FB2 - 7614 - 000	312 - 7	FB3 - 2331 - 000	320 - 14
FA9 - 3622 - 000	105 - 1	FB2 - 7616 - 000	311 - 8	FB3 - 2411 - 000	420 - 4
FA9 - 3669 - 000	315 - 6		312 - 8		430 - 5
FA9 - 3674 - 000	300 - 1	FB2 - 7620 - 000	311 - 9	FB3 - 6117 - 000	510 - 7 C
FA9 - 3684 - 000	130 - 2	FB2 - 7623 - 000	313 - 4	FB3 - 7692 - 000	420 - 5
FA9 - 3691 - 000	312 - 2	FB2 - 7624 - 000	311 - 10		430 - 6
FA9 - 3730 - 010	600 - 4		312 - 9	FB3 - 8333 - 000	311 - 20
FA9 - 3822 - 000	104 - 4		313 - 5	FB3 - 8369 - 000	350 - 6
	230 - 1	FB2 - 7625 - 000	302 - 6	FB3 - 8398 - 000	320 - 15
	250 - 2		303 - 6	FB3 - 8409 - 000	810 - 13
	251 - 1	FB2 - 7630 - 000	312 - 10	FB3 - 8412 - 000	810 - 14

D NUMERICAL INDEX

PART NUMBER	FIGURE & KEY NO.	PART NUMBER	FIGURE & KEY NO.	PART NUMBER	FIGURE & KEY NO.
FB3 - 8414 - 000	350 - 7	FB4 - 1512 - 000	215 - 3	FB4 - 1824 - 000	640 - 7
FB3 - 8457 - 000	320 - 16	FB4 - 1521 - 000	215 - 4	FB4 - 1825 - 000	640 - 8
FB3 - 8508 - 000	302 - 10	FB4 - 1522 - 000	215 - 5	FB4 - 1828 - 000	640 - 9
	303 - 11	FB4 - 1532 - 000	215 - 6	FB4 - 1829 - 000	640 - 10
FB3 - 8615 - 000	261 - 2	FB4 - 1533 - 000	215 - 7	FB4 - 1830 - 000	640 - 17 A
FB3 - 8616 - 000	261 - 3	FB4 - 1534 - 000	215 - 8	FB4 - 1831 - 000	640 - 11
FB3 - 9303 - 020	300 - 4	FB4 - 1538 - 000	215 - 9	FB4 - 1837 - 000	640 - 12
FB3 - 9305 - 000	300 - 5	FB4 - 1539 - 020	215 - 10	FB4 - 1842 - 000	645 - 2
FB3 - 9306 - 000	300 - 6	FB4 - 1540 - 000	215 - 11	FB4 - 1849 - 000	645 - 3
FB3 - 9307 - 000	300 - 7	FB4 - 1542 - 000	110 - 1	FB4 - 1850 - 000	645 - 4
FB3 - 9308 - 000	300 - 8		111 - 1	FB4 - 1856 - 000	645 - 5
FB3 - 9311 - 000	300 - 9		770 - 2	FB4 - 1857 - 000	645 - 6
FB3 - 9312 - 000	300 - 10	FB4 - 1546 - 000	215 - 12	FB4 - 1858 - 000	645 - 7
FB3 - 9313 - 000	300 - 11	FB4 - 1550 - 000	215 - 13	FB4 - 1862 - 000	640 - 13
FB3 - 9314 - 000	300 - 12	FB4 - 1554 - 000	215 - 14	FB4 - 1866 - 000	640 - 14
FB3 - 9315 - 000	300 - 13	FB4 - 1557 - 020	120 - 4	FB4 - 1869 - 000	105 - 12 A
FB3 - 9316 - 000	300 - 14	FB4 - 1558 - 000	100 - 18	FB4 - 1892 - 000	275 - 2
FB3 - 9319 - 000	300 - 15	FB4 - 1564 - 000	215 - 15	FB4 - 1893 - 000	275 - 3
FB3 - 9320 - 000	300 - 16	FB4 - 1569 - 000	600 - 8	FB4 - 1894 - 000	275 - 4
FB3 - 9321 - 000	300 - 29 A	FB4 - 1570 - 000	600 - 9	FB4 - 1895 - 000	275 - 5
FB3 - 9322 - 020	300 - 17	FB4 - 1575 - 000	600 - 10	FB4 - 1896 - 000	275 - 6
FB3 - 9323 - 020	300 - 18	FB4 - 1576 - 000	600 - 11	FB4 - 1899 - 000	275 - 7
FB3 - 9326 - 000	300 - 19	FB4 - 1577 - 000	600 - 12	FB4 - 1900 - 000	275 - 8
FB3 - 9327 - 000	300 - 20	FB4 - 1584 - 000	600 - 13	FB4 - 1901 - 000	275 - 9
FB3 - 9329 - 000	300 - 29 B	FB4 - 1585 - 000	600 - 14	FB4 - 1902 - 000	275 - 10
FB3 - 9335 - 000	300 - 21	FB4 - 1590 - 000	600 - 15	FB4 - 1903 - 000	275 - 11
FB3 - 9336 - 000	300 - 29 C	FB4 - 1592 - 000	600 - 16	FB4 - 1904 - 000	275 - 12
FB3 - 9337 - 000	300 - 22	FB4 - 1594 - 000	600 - 17	FB4 - 1913 - 000	275 - 13
FB3 - 9340 - 000	300 - 23	FB4 - 1595 - 000	600 - 18	FB4 - 1915 - 000	275 - 14
FB3 - 9345 - 000	104 - 9	FB4 - 1600 - 000	600 - 19	FB4 - 1916 - 000	275 - 15
FB3 - 9356 - 000	104 - 10	FB4 - 1607 - 000	600 - 20	FB4 - 1924 - 000	275 - 16
FB3 - 9362 - 000	107 - 3	FB4 - 1609 - 000	600 - 21	FB4 - 1925 - 000	275 - 17
FB3 - 9363 - 000	107 - 4	FB4 - 1611 - 000	600 - 22	FB4 - 1926 - 000	275 - 18
FB3 - 9364 - 000	107 - 5	FB4 - 1612 - 000	600 - 23	FB4 - 1927 - 000	275 - 19
FB3 - 9372 - 000	810 - 15		910 - 1	FB4 - 1933 - 000	550 - 5
FB3 - 9907 - 000	100 - 66 B	FB4 - 1613 - 000	600 - 24	FB4 - 1940 - 000	550 - 6
FB3 - 9910 - 000	305 - 1 A	FB4 - 1616 - 000	600 - 50 A	FB4 - 1941 - 000	550 - 7
FB4 - 0464 - 000	640 - 4	FB4 - 1617 - 000	600 - 25	FB4 - 1947 - 000	940 - 2
FB4 - 0650 - 000	104 - 11	FB4 - 1618 - 000	600 - 26	FB4 - 1948 - 000	940 - 3
FB4 - 0715 - 000	210 - 8	FB4 - 1619 - 000	600 - 27	FB4 - 1953 - 000	106 - 5
FB4 - 0786 - 000	420 - 6	FB4 - 1620 - 000	510 - 3	FB4 - 1957 - 000	103 - 8
FB4 - 0787 - 000	420 - 7	FB4 - 1621 - 000	510 - 4	FB4 - 1960 - 000	100 - 22
FB4 - 0788 - 000	420 - 8	FB4 - 1622 - 000	510 - 5	FB4 - 1965 - 000	100 - 23
FB4 - 0789 - 000	420 - 9	FB4 - 1623 - 000	510 - 6		100 - 24
FB4 - 0795 - 000	420 - 10	FB4 - 1648 - 000	580 - 5	FB4 - 1967 - 000	100 - 25
FB4 - 0802 - 000	420 - 11	FB4 - 1650 - 000	580 - 6	FB4 - 1969 - 000	100 - 26
	430 - 7	FB4 - 1656 - 000	580 - 7		100 - 27
FB4 - 0804 - 000	420 - 12	FB4 - 1657 - 000	580 - 8	FB4 - 1970 - 000	100 - 28
FB4 - 0825 - 000	430 - 8	FB4 - 1667 - 000	325 - 24 A	FB4 - 1982 - 000	311 - 22
FB4 - 0831 - 000	430 - 9	FB4 - 1670 - 000	325 - 5	FB4 - 1989 - 000	311 - 23
FB4 - 0832 - 000	420 - 13	FB4 - 1679 - 000	325 - 6		312 - 18
FB4 - 0864 - 000	420 - 14	FB4 - 1680 - 020	570 - 5	FB4 - 1990 - 000	313 - 17
	430 - 10	FB4 - 1681 - 020	570 - 6	FB4 - 2000 - 000	312 - 19
FB4 - 0867 - 000	420 - 15	FB4 - 1682 - 000	570 - 7	FB4 - 2004 - 000	311 - 24
FB4 - 0868 - 000	420 - 15	FB4 - 1683 - 000	570 - 8		312 - 20
FB4 - 1202 - 000	311 - 21	FB4 - 1693 - 000	550 - 4	FB4 - 2007 - 000	311 - 25
FB4 - 1333 - 000	103 - 2		570 - 9		312 - 21
FB4 - 1334 - 000	108 - 4		580 - 9		313 - 18
FB4 - 1339 - 000	108 - 5	FB4 - 1694 - 000	570 - 10		315 - 14
FB4 - 1340 - 000	108 - 6	FB4 - 1695 - 000	570 - 11	FB4 - 2009 - 000	312 - 22
FB4 - 1341 - 000	104 - 12	FB4 - 1696 - 000	570 - 12	FB4 - 2010 - 000	312 - 23
FB4 - 1342 - 000	104 - 13	FB4 - 1712 - 000	210 - 22 A	FB4 - 2012 - 000	312 - 24
FB4 - 1350 - 000	102 - 4	FB4 - 1713 - 000	210 - 36 A	FB4 - 2019 - 000	104 - 15
FB4 - 1354 - 000	106 - 1	FB4 - 1714 - 000	210 - 22 B	FB4 - 2023 - 000	104 - 16
FB4 - 1355 - 000	104 - 14	FB4 - 1715 - 000	210 - 36 B	FB4 - 2024 - 000	104 - 17
FB4 - 1359 - 000	100 - 14	FB4 - 1717 - 000	100 - 19	FB4 - 2026 - 000	302 - 11
FB4 - 1386 - 000	101 - 4	FB4 - 1719 - 000	325 - 7		303 - 12
FB4 - 1391 - 000	100 - 15	FB4 - 1727 - 000	100 - 20	FB4 - 2031 - 000	313 - 19
FB4 - 1407 - 000	101 - 11 A	FB4 - 1734 - 000	210 - 10	FB4 - 2035 - 000	315 - 15
FB4 - 1409 - 000	101 - 10 A	FB4 - 1735 - 000	100 - 21	FB4 - 2041 - 000	103 - 9
FB4 - 1410 - 000	103 - 3	FB4 - 1740 - 000	210 - 36 C	FB4 - 2042 - 000	103 - 10
FB4 - 1411 - 000	103 - 4	FB4 - 1750 - 000	106 - 2		103 - 11
FB4 - 1416 - 000	510 - 2	FB4 - 1753 - 000	106 - 3	FB4 - 2061 - 000	320 - 17
FB4 - 1418 - 000	103 - 5	FB4 - 1762 - 000	280 - 1	FB4 - 2062 - 000	320 - 18
	103 - 6	FB4 - 1766 - 000	250 - 4	FB4 - 2067 - 000	320 - 19
FB4 - 1421 - 000	103 - 7	FB4 - 1781 - 000	106 - 4	FB4 - 2068 - 000	320 - 20
FB4 - 1423 - 000	100 - 16	FB4 - 1792 - 000	775 - 5		325 - 8
FB4 - 1428 - 000	210 - 9	FB4 - 1794 - 000	775 - 6	FB4 - 2077 - 000	320 - 21
FB4 - 1430 - 000	101 - 5	FB4 - 1795 - 000	775 - 7	FB4 - 2078 - 000	320 - 22
FB4 - 1432 - 000	120 - 1	FB4 - 1797 - 000	775 - 8	FB4 - 2088 - 000	330 - 1
FB4 - 1433 - 000	120 - 2	FB4 - 1806 - 000	250 - 5	FB4 - 2090 - 000	330 - 2
FB4 - 1436 - 000	120 - 3		270 - 1	FB4 - 2093 - 000	330 - 3
FB4 - 1437 - 000	100 - 17		280 - 2	FB4 - 2094 - 000	330 - 4
FB4 - 1443 - 000	770 - 1	FB4 - 1820 - 020	640 - 5	FB4 - 2106 - 000	360 - 7
FB4 - 1447 - 000	107 - 6	FB4 - 1821 - 020	640 - 6	FB4 - 2113 - 000	360 - 8

D NUMERICAL INDEX

PART NUMBER	FIGURE & KEY NO.	PART NUMBER	FIGURE & KEY NO.	PART NUMBER	FIGURE & KEY NO.
FB4 - 2114 - 020	360 - 9	FB4 - 3774 - 000	316 - 8	FB5 - 1840 - 000	105 - 5
FB4 - 2121 - 000	360 - 10	FB4 - 3811 - 000	103 - 12	FB5 - 1844 - 000	600 - 36
FB4 - 2122 - 000	360 - 11	FB4 - 3814 - 000	102 - 8	FB5 - 2063 - 000	311 - 32
FB4 - 2124 - 000	360 - 12	FB4 - 3816 - 000	102 - 9		312 - 29
FB4 - 2131 - 000	360 - 13	FB4 - 3817 - 000	102 - 10		313 - 23
FB4 - 2132 - 000	360 - 14	FB4 - 3822 - 000	102 - 11	FB5 - 2131 - 000	130 - 6
FB4 - 2133 - 000	360 - 15	FB4 - 3823 - 000	102 - 12	FB5 - 2164 - 000	130 - 7
FB4 - 2135 - 000	360 - 16	FB4 - 3850 - 000	325 - 10	FB5 - 2165 - 000	130 - 8
FB4 - 2136 - 000	360 - 17	FB4 - 3851 - 000	325 - 11	FB5 - 2168 - 000	130 - 9
FB4 - 2145 - 000	360 - 18	FB4 - 3852 - 000	325 - 12	FB5 - 2169 - 000	130 - 10
FB4 - 2149 - 000	360 - 19	FB4 - 3853 - 000	325 - 21 A	FB5 - 2170 - 000	130 - 11
FB4 - 2151 - 000	360 - 20	FB4 - 3857 - 000	325 - 22 A	FB5 - 2171 - 000	130 - 12
FB4 - 2152 - 000	360 - 21	FB4 - 3858 - 000	325 - 13	FB5 - 2172 - 000	130 - 13
FB4 - 2153 - 000	360 - 22	FB4 - 3860 - 000	325 - 14	FB5 - 2173 - 000	130 - 14
FB4 - 2155 - 000	360 - 23	FB4 - 5005 - 000	130 - 5	FB5 - 2174 - 000	926 - 1
FB4 - 2156 - 000	360 - 24	FB4 - 5093 - 020	102 - 13	FB5 - 2176 - 000	130 - 15
FB4 - 2159 - 000	360 - 25	FB4 - 5253 - 000	300 - 24	FB5 - 2177 - 000	130 - 16
	810 - 16	FB4 - 5257 - 000	101 - 6	FB5 - 2178 - 000	130 - 17
FB4 - 2164 - 000	360 - 26	FB4 - 5267 - 000	303 - 13	FB5 - 2179 - 000	130 - 18
FB4 - 2183 - 000	810 - 17	FB4 - 5268 - 000	302 - 12	FB5 - 2180 - 000	130 - 19
FB4 - 2191 - 000	810 - 18		303 - 14	FB5 - 2195 - 000	926 - 2
FB4 - 2195 - 020	810 - 19	FB4 - 5297 - 000	100 - 29	FB5 - 2394 - 000	580 - 14
FB4 - 2196 - 020	810 - 20	FB4 - 5298 - 000	100 - 30	FB5 - 2508 - 000	351 - 12
FB4 - 2214 - 000	810 - 21	FB4 - 5305 - 000	550 - 9	FB5 - 2515 - 000	580 - 15
FB4 - 2224 - 000	320 - 23	FB4 - 5309 - 000	275 - 20	FB5 - 2596 - 000	106 - 7
FB4 - 2225 - 000	320 - 24	FB4 - 5310 - 000	275 - 21	FB5 - 2598 - 000	600 - 37
FB4 - 2235 - 000	320 - 25	FB4 - 5311 - 000	100 - 31	FB5 - 2837 - 000	315 - 21
FB4 - 2236 - 000	320 - 26	FB4 - 5335 - 000	104 - 18	FB5 - 2838 - 000	315 - 22
FB4 - 2237 - 000	320 - 27	FB4 - 6214 - 000	311 - 27	FB5 - 2841 - 000	300 - 31 A
FB4 - 2238 - 000	320 - 28	FB4 - 6227 - 000	311 - 28	FB5 - 3105 - 000	580 - 16
FB4 - 2239 - 000	810 - 22		312 - 25	FB5 - 3351 - 000	104 - 20
FB4 - 2254 - 000	320 - 29		313 - 20	FB5 - 3365 - 000	300 - 26
FB4 - 2261 - 000	350 - 8	FB4 - 7478 - 000	100 - 32		302 - 14
FB4 - 2262 - 000	350 - 9	FB4 - 7481 - 000	360 - 28		303 - 16
FB4 - 2263 - 000	350 - 10	FB4 - 7486 - 000	360 - 29	FB5 - 3366 - 000	302 - 33 A
FB4 - 2268 - 000	351 - 3	FB4 - 7833 - 000	103 - 13	FB5 - 3367 - 000	303 - 37 A
FB4 - 2270 - 000	351 - 4	FB4 - 7834 - 000	104 - 19	FB5 - 3370 - 000	302 - 15
FB4 - 2271 - 000	351 - 5	FB4 - 7835 - 000	311 - 29		303 - 17
FB4 - 2272 - 000	351 - 6		312 - 26	FB5 - 3395 - 000	351 - 13
FB4 - 2284 - 000	351 - 7	FB4 - 7839 - 000	102 - 14	FB5 - 3407 - 000	320 - 45
FB4 - 2288 - 000	351 - 8	FB4 - 7840 - 000	315 - 20	FB5 - 3410 - 000	351 - 14
FB4 - 2289 - 000	351 - 9	FB4 - 7845 - 000	103 - 14	FB5 - 3421 - 000	351 - 15
FB4 - 2293 - 000	351 - 10	FB4 - 7846 - 000	108 - 7	FB5 - 3569 - 000	302 - 16
FB4 - 2294 - 000	351 - 11	FB4 - 7878 - 000	320 - 42	FB5 - 3625 - 000	350 - 11
FB4 - 2297 - 000	320 - 30	FB4 - 7882 - 000	100 - 33	FB5 - 4010 - 000	900 - 1
FB4 - 2299 - 000	320 - 31	FB4 - 7883 - 000	100 - 34	FB5 - 4339 - 000	312 - 30
FB4 - 2300 - 000	320 - 32	FB4 - 8012 - 000	600 - 28	FB5 - 4346 - 000	215 - 16
FB4 - 2303 - 000	320 - 33	FB4 - 8013 - 000	600 - 29	FB5 - 4347 - 000	215 - 17
FB4 - 2305 - 020	320 - 34	FB4 - 8014 - 000	600 - 30	FB5 - 5606 - 000	302 - 17
FB4 - 2306 - 020	320 - 35	FB4 - 8018 - 000	600 - 31		303 - 18
FB4 - 2307 - 020	320 - 36	FB4 - 9026 - 000	275 - 22	FB5 - 5607 - 000	302 - 18
FB4 - 2308 - 020	320 - 37	FB4 - 9027 - 000	275 - 23		303 - 19
FB4 - 2312 - 000	320 - 38	FB4 - 9028 - 000	275 - 24	FB5 - 5608 - 000	302 - 19
FB4 - 2314 - 000	320 - 39	FB4 - 9029 - 000	311 - 30		303 - 20
FB4 - 2317 - 000	320 - 40		312 - 27	FB5 - 5609 - 000	302 - 20
FB4 - 2322 - 020	325 - 9		313 - 21		303 - 21
FB4 - 2325 - 000	360 - 27	FB4 - 9032 - 000	106 - 6	FB5 - 5620 - 000	312 - 31
FB4 - 2327 - 000	320 - 41	FB4 - 9033 - 000	325 - 15	FB5 - 5621 - 000	311 - 33
FB4 - 2333 - 000	130 - 3	FB4 - 9034 - 000	105 - 4	FB5 - 6586 - 000	311 - 34
FB4 - 2343 - 000	130 - 4	FB4 - 9035 - 000	360 - 30		312 - 32
FB4 - 2347 - 000	460 - 2	FB4 - 9043 - 000	311 - 31		313 - 24
FB4 - 2358 - 000	210 - 11		312 - 28	FB5 - 6825 - 000	810 - 26
FB4 - 2360 - 000	210 - 12		313 - 22	FB5 - 6833 - 000	810 - 27
FB4 - 2366 - 000	210 - 13	FB4 - 9346 - 000	940 - 4	FB5 - 6853 - 000	640 - 18 A
FB4 - 2376 - 000	210 - 14	FB4 - 9355 - 000	580 - 11	FB5 - 6856 - 000	600 - 38
FB4 - 2384 - 000	210 - 15	FB4 - 9360 - 000	810 - 23	FB5 - 6857 - 000	600 - 39
FB4 - 2385 - 000	420 - 16	FB4 - 9361 - 000	810 - 24	FB5 - 6862 - 000	103 - 15
FB4 - 3118 - 000	101 - 20 A	FB4 - 9509 - 000	302 - 13	FB5 - 6868 - 000	600 - 40
FB4 - 3687 - 000	550 - 8		303 - 15	FB5 - 6869 - 000	600 - 41
	570 - 13	FB4 - 9511 - 000	770 - 3	FB5 - 6877 - 000	275 - 26
	580 - 10	FB4 - 9514 - 000	275 - 25	FB5 - 6882 - 000	106 - 8
FB4 - 3700 - 000	311 - 26	FB4 - 9515 - 000	325 - 16	FB5 - 6884 - 000	106 - 9
FB4 - 3723 - 020	260 - 3	FB4 - 9517 - 000	600 - 32	FB5 - 6895 - 000	250 - 6
FB4 - 3728 - 000	260 - 4	FB4 - 9518 - 000	600 - 33	FB5 - 6916 - 000	100 - 35
FB4 - 3729 - 000	260 - 5	FB4 - 9524 - 000	810 - 25	FB5 - 6925 - 000	360 - 31
FB4 - 3732 - 000	102 - 5	FB4 - 9525 - 000	600 - 34	FB5 - 6930 - 000	810 - 28
FB4 - 3741 - 020	102 - 6	FB4 - 9526 - 000	600 - 35	FB5 - 6931 - 000	810 - 29
FB4 - 3743 - 000	102 - 18 A	FB4 - 9797 - 020	320 - 43	FB5 - 6932 - 000	810 - 30
FB4 - 3747 - 000	315 - 16	FB4 - 9799 - 000	770 - 4	FB5 - 6934 - 000	810 - 31
FB4 - 3750 - 000	315 - 17	FB5 - 0529 - 000	580 - 12	FB5 - 6935 - 000	810 - 32
FB4 - 3759 - 000	315 - 18	FB5 - 0530 - 000	580 - 13	FB5 - 6936 - 000	810 - 33
FB4 - 3762 - 000	315 - 26 A	FB5 - 0532 - 000	101 - 7	FB5 - 6941 - 000	810 - 34
FB4 - 3767 - 000	264 - 2	FB5 - 0539 - 000	320 - 44	FB5 - 6944 - 000	810 - 35
FB4 - 3772 - 000	315 - 19	FB5 - 0553 - 000	231 - 2	FB5 - 6945 - 000	810 - 36
FB4 - 3773 - 000	102 - 7	FB5 - 1489 - 000	300 - 25	FB5 - 6946 - 000	810 - 37

D NUMERICAL INDEX

PART NUMBER	FIGURE & KEY NO.	PART NUMBER	FIGURE & KEY NO.	PART NUMBER	FIGURE & KEY NO.
FB5 - 6948 - 000	810 - 38	FB6 - 0525 - 000	360 - 32	FF3 - 4190 - 000	313 - 28
FB5 - 6951 - 000	810 - 39	FB6 - 0528 - 000	100 - 49	FF5 - 2173 - 000	210 - 20
FB5 - 6952 - 000	810 - 40	FB6 - 0529 - 000	102 - 16	FF5 - 2930 - 000	103 - 17
FB5 - 6957 - 000	810 - 41	FB6 - 0534 - 000	360 - 33	FF5 - 2939 - 000	315 - 23
FB5 - 6973 - 000	810 - 42	FB6 - 0559 - 000	360 - 34	FF5 - 2942 - 020	570 - 15
FB5 - 6974 - 000	350 - 12	FB6 - 0560 - 000	360 - 35	FF5 - 2943 - 000	315 - 24
FB5 - 6976 - 000	350 - 13	FB6 - 0567 - 000	360 - 36	FF5 - 2986 - 000	600 - 49
FB5 - 6980 - 000	303 - 22	FB6 - 0575 - 000	360 - 37	FF5 - 3063 - 030	311 - 41
FB5 - 6982 - 000	303 - 23	FB6 - 0577 - 000	360 - 38	FF5 - 3135 - 020	315 - 25
FB5 - 6986 - 000	303 - 24	FB6 - 0579 - 000	360 - 39	FF5 - 3220 - 000	311 - 42
FB5 - 6987 - 000	300 - 27	FB6 - 0581 - 000	250 - 7	FF5 - 3221 - 000	313 - 29
FB5 - 6988 - 000	100 - 36	FB6 - 0582 - 000	101 - 17 A	FF5 - 3228 - 000	312 - 41
FB5 - 6989 - 000	100 - 37	FB6 - 0589 - 000	100 - 50	FF5 - 5593 - 030	100 - 57
FB5 - 6992 - 000	100 - 38	FB6 - 0590 - 000	100 - 51	FF5 - 5594 - 030	100 - 58
FB5 - 6996 - 000	100 - 61 A	FB6 - 0591 - 000	210 - 17	FF5 - 5894 - 000	311 - 43
FB5 - 7001 - 000	100 - 39	FB6 - 0598 - 000	130 - 21	FF5 - 5895 - 000	311 - 44
FB5 - 7013 - 000	311 - 35	FB6 - 0599 - 000	350 - 18	FF5 - 5914 - 000	350 - 19
	312 - 33	FB6 - 0603 - 000	100 - 52	FF5 - 6000 - 000	320 - 56
FB5 - 7028 - 000	460 - 3	FB6 - 0605 - 000	130 - 22	FF5 - 6183 - 000	300 - 29
FB5 - 7029 - 000	460 - 4	FB6 - 0606 - 000	130 - 23	FF5 - 6189 - 000	300 - 30
FB5 - 7042 - 000	215 - 18	FB6 - 0610 - 000	130 - 24	FF5 - 6579 - 000	420 - 17
FB5 - 7048 - 000	105 - 6	FB6 - 0615 - 000	311 - 38	FF5 - 6581 - 000	430 - 11
FB5 - 7054 - 000	210 - 16		312 - 36	FF5 - 6883 - 000	550 - 11
FB5 - 7075 - 000	320 - 46		313 - 27		580 - 19
FB5 - 7076 - 000	320 - 47	FB6 - 0617 - 000	130 - 25	FF5 - 6884 - 000	550 - 12
FB5 - 7077 - 000	810 - 43	FB6 - 0623 - 000	360 - 40		580 - 20
FB5 - 7558 - 000	810 - 44	FB6 - 0624 - 000	360 - 41	FF5 - 6885 - 000	550 - 13
FB5 - 7559 - 000	810 - 45	FB6 - 0625 - 000	360 - 42		580 - 21
FB5 - 7560 - 000	810 - 46	FB6 - 0776 - 000	100 - 53	FF5 - 6889 - 000	311 - 45
FB5 - 7562 - 000	810 - 47	FB6 - 0782 - 000	900 - 3		312 - 42
FB5 - 7655 - 000	320 - 48	FB6 - 0783 - 000	770 - 5	FF5 - 6890 - 000	313 - 30
FB5 - 7656 - 000	320 - 49	FB6 - 0784 - 000	107 - 7	FF5 - 6904 - 000	311 - 46
FB5 - 7657 - 000	351 - 16	FB6 - 2369 - 000	104 - 22	FF5 - 6905 - 000	311 - 47
FB5 - 7660 - 000	810 - 48	FB6 - 2370 - 000	640 - 15	FF5 - 7540 - 000	313 - 31
FB5 - 7662 - 000	351 - 17	FB6 - 2372 - 000	325 - 20	FF5 - 7651 - 000	940 - 5
FB5 - 7663 - 000	351 - 18	FB6 - 2373 - 000	320 - 54	FF5 - 7655 - 000	103 - 18
FB5 - 7664 - 000	351 - 19	FB6 - 2376 - 000	320 - 55	FF5 - 7658 - 000	101 - 9
FB5 - 7666 - 000	350 - 14	FB6 - 2377 - 000	311 - 39	FF5 - 7662 - 000	101 - 10
FB5 - 7668 - 000	350 - 15		312 - 37	FF5 - 7664 - 000	101 - 11
FB5 - 7671 - 000	320 - 50	FB6 - 2380 - 000	600 - 43	FF5 - 7665 - 000	107 - 8
FB5 - 7672 - 000	320 - 51	FB6 - 2385 - 000	600 - 44	FF5 - 7667 - 000	102 - 17
FB5 - 7673 - 000	320 - 52	FB6 - 2390 - 000	600 - 45	FF5 - 7673 - 000	315 - 26
FB5 - 7674 - 000	351 - 22 A	FB6 - 2397 - 000	100 - 54	FF5 - 7674 - 000	315 - 27
FB5 - 7676 - 000	325 - 17		100 - 55	FF5 - 7675 - 000	315 - 28
FB5 - 7677 - 000	351 - 22 B		360 - 43	FF5 - 7682 - 000	600 - 50
FB5 - 7678 - 000	351 - 22 C	FB6 - 2400 - 000	600 - 46	FF5 - 7695 - 000	645 - 9
FB5 - 8482 - 000	900 - 2	FB6 - 2402 - 000	600 - 47	FF5 - 7698 - 000	640 - 16
FB5 - 8717 - 000	350 - 16	FB6 - 2415 - 000	100 - 56	FF5 - 7701 - 000	640 - 17
FB5 - 8718 - 000	351 - 22 D	FB6 - 2416 - 000	100 - 56	FF5 - 7705 - 000	550 - 14
FB5 - 8723 - 000	102 - 15	FB6 - 2717 - 000	103 - 16	FF5 - 7706 - 000	550 - 15
FB5 - 8729 - 000	350 - 17	FB6 - 2719 - 000	302 - 21	FF5 - 7715 - 000	275 - 28
FB5 - 8735 - 000	104 - 21		303 - 25	FF5 - 7717 - 000	215 - 21
FB5 - 8809 - 000	215 - 19	FB6 - 2724 - 000	210 - 18	FF5 - 7726 - 000	105 - 11
FB5 - 8810 - 000	215 - 20	FB6 - 2725 - 000	210 - 19	FF5 - 7734 - 000	360 - 44
FB5 - 8817 - 000	600 - 42	FB6 - 2726 - 000	104 - 23	FF5 - 7736 - 000	360 - 45
FB5 - 9351 - 000	300 - 28	FB6 - 2727 - 000	104 - 24	FF5 - 7737 - 020	360 - 46
FB5 - 9648 - 000	580 - 17	FB6 - 2728 - 000	104 - 25	FF5 - 7743 - 000	104 - 26
FB6 - 0397 - 000	100 - 40	FB6 - 2887 - 000	316 - 9	FF5 - 7829 - 000	311 - 48
FB6 - 0403 - 000	100 - 41	FB6 - 4057 - 000	312 - 38		312 - 43
FB6 - 0404 - 000	100 - 42	FB6 - 4059 - 000	312 - 39		313 - 32
FB6 - 0405 - 000	101 - 8	FB6 - 4081 - 000	570 - 14		315 - 29
FB6 - 0433 - 000	105 - 7	FC1 - 1117 - 000	251 - 2	FF5 - 7830 - 000	311 - 49
FB6 - 0439 - 000	105 - 8	FC1 - 5049 - 000	302 - 22		312 - 44
FB6 - 0442 - 000	100 - 43		303 - 26		313 - 33
FB6 - 0443 - 000	100 - 44	FC1 - 5051 - 000	302 - 23		315 - 30
FB6 - 0444 - 000	100 - 45		303 - 27	FF5 - 7832 - 000	312 - 45
FB6 - 0445 - 000	275 - 27	FC1 - 5052 - 000	302 - 24	FF5 - 7833 - 040	312 - 46
FB6 - 0446 - 000	100 - 46		303 - 28	FF5 - 7840 - 020	313 - 34
FB6 - 0448 - 000	100 - 47	FC1 - 5055 - 000	302 - 25	FF5 - 7845 - 000	320 - 57
FB6 - 0449 - 000	105 - 9		303 - 29	FF5 - 7846 - 000	320 - 58
FB6 - 0450 - 000	105 - 10	FC1 - 5056 - 000	302 - 26	FF5 - 7850 - 000	320 - 59
FB6 - 0454 - 000	130 - 20		303 - 30	FF5 - 7860 - 000	810 - 49
FB6 - 0473 - 000	325 - 18	FC1 - 5061 - 000	302 - 27	FF5 - 7872 - 000	325 - 21
FB6 - 0474 - 000	325 - 19		303 - 31	FF5 - 7875 - 000	325 - 22
FB6 - 0480 - 000	320 - 53	FC1 - 5080 - 000	302 - 28	FF5 - 7877 - 000	325 - 23
FB6 - 0484 - 000	330 - 5		303 - 32	FF5 - 7878 - 000	325 - 24
FB6 - 0485 - 000	330 - 6	FC1 - 5081 - 000	302 - 29	FF5 - 7880 - 000	320 - 60
FB6 - 0500 - 000	100 - 48		303 - 33	FF5 - 7881 - 000	320 - 61
FB6 - 0502 - 020	580 - 18	FC1 - 6853 - 000	194 - 1	FF5 - 7882 - 020	101 - 12
FB6 - 0513 - 000	311 - 36	FC1 - 7438 - 000	351 - 20	FF5 - 7883 - 000	210 - 21
	312 - 34	FF2 - 2891 - 000	600 - 48	FF5 - 7884 - 000	120 - 5
FB6 - 0519 - 000	311 - 37	FF2 - 5730 - 000	645 - 8	FF5 - 7891 - 020	580 - 22
	312 - 35	FF3 - 3330 - 000	550 - 10	FF5 - 7938 - 000	210 - 22
	313 - 25	FF3 - 4190 - 000	311 - 40	FF5 - 7942 - 000	100 - 59
FB6 - 0524 - 000	313 - 26		312 - 40	FF5 - 7944 - 000	320 - 62

D NUMERICAL INDEX

PART NUMBER	FIGURE & KEY NO.	PART NUMBER	FIGURE & KEY NO.	PART NUMBER	FIGURE & KEY NO.
FF5 - 7948 - 000	360 - 4 7	FF6 - 1858 - 000	360 - 5 6	FG6 - 2033 - 000	210 - 3 1
FF5 - 7949 - 000	360 - 4 8	FF6 - 1860 - 000	570 - 1 7	FG6 - 2036 - 060	420 -
FF5 - 8139 - 000	101 - 1 3	FF6 - 1997 - 000	100 - 6 6	FG6 - 2243 - 000	231 -
FF5 - 8140 - 000	316 - 1 0	FF6 - 1998 - 000	100 - 6 6	FG6 - 2291 - 020	945 -
FF5 - 8141 - 000	102 - 1 8	FF6 - 1999 - 000	100 - 6 6	FG6 - 2305 - 000	102 - 2 3
FF5 - 8147 - 000	102 - 1 9	FF6 - 2001 - 000	100 - 6 7	FG6 - 2326 - 000	420 - 1 9
FF5 - 8150 - 000	302 - 3 0	FF6 - 2002 - 000	100 - 6 7	FG6 - 2328 - 000	101 - 2 1
	303 - 3 4	FF6 - 2003 - 000	100 - 6 7	FG6 - 2330 - 000	101 - 2 2
FF5 - 8151 - 000	302 - 3 1	FF9 - 1901 - 000	100 - 6 8	FG6 - 2331 - 000	102 - 2 4
	303 - 3 5	FF9 - 1909 - 000	210 - 2 4	FG6 - 2334 - 000	104 - 2 9
FF5 - 8152 - 000	101 - 1 4	FF9 - 1910 - 000	360 - 5 7	FG6 - 2335 - 000	311 - 5 2
FF5 - 8157 - 000	315 - 3 1	FG1 - 3472 - 000	720 -	FG6 - 2340 - 000	460 - 5
FF5 - 8194 - 000	102 - 2 0	FG2 - 9195 - 000	305 - 1	FG6 - 2512 - 000	210 - 3 2
	103 - 1 9	FG2 - 9812 - 000	305 - 2	FG6 - 3568 - 000	600 - 5 3
	325 - 2 5	FG3 - 1690 - 100	935 - 1		B - J 2 7 2
FF5 - 8196 - 000	320 - 6 3	FG3 - 1745 - 000	900 - 4	FG6 - 3569 - 000	106 - 1 0
FF5 - 8200 - 000	360 - 4 9	FG3 - 2142 - 000	920 -		B - J 2 7 1
FF5 - 8202 - 000	360 - 5 0	FG3 - 2143 - 000	926 -		B - J 2 7 2
FF5 - 8654 - 040	320 - 6 4	FG3 - 2144 - 000	926 - 3	FG6 - 3570 - 000	251 - 3
FF5 - 8655 - 000	275 - 2 9	FG3 - 2145 - 000	926 - 4	FG6 - 3572 - 000	264 - 3
FF5 - 8661 - 000	103 - 2 0	FG3 - 2146 - 000	130 - 3 0	FG6 - 3591 - 000	130 - 3 2
FF5 - 8732 - 000	275 - 3 0	FG3 - 2147 - 000	130 - 3 1		B - J 4 1 2
FF5 - 8733 - 000	510 - 7	FG3 - 2662 - 000	900 - 5	FG6 - 5396 - 000	102 - 2 5
FF5 - 8736 - 000	320 - 6 5	FG3 - 2764 - 000	900 - 6		102 - 2 6
FF5 - 8787 - 000	320 - 6 6	FG5 - 1957 - 000	107 - 9	FG6 - 5397 - 000	320 - 7 2
FF5 - 8796 - 000	325 - 2 6	FG5 - 1958 - 000	316 - 1 1	FG6 - 5398 - 000	312 - 4 9
FF5 - 8892 - 000	210 - 2 3	FG5 - 4449 - 050	261 -	FG6 - 5399 - 000	360 - 6 2
FF5 - 8895 - 030	103 - 2 1	FG5 - 8221 - 000	107 - 1 0	FG6 - 5400 - 000	313 - 3 7
FF5 - 9550 - 000	300 - 3 1	FG5 - 9419 - 000	305 - 1 B	FG6 - 6512 - 000	110 - 3
FF5 - 9551 - 000	315 - 3 2	FG5 - 9839 - 000	430 -	FG6 - 6853 - 000	900 - 7
FF5 - 9552 - 000	570 - 1 6	FG6 - 1813 - 000	110 - 2	FG6 - 6885 - 000	251 - 4
FF5 - 9561 - 000	315 - 3 3		111 - 2	FG6 - 6888 - 000	104 - 3 0
FF5 - 9784 - 000	311 - 5 0	FG6 - 1817 - 000	120 - 6	FG6 - 6902 - 000	210 - 3 5 A
	312 - 4 7	FG6 - 1818 - 000	770 - 6	FG6 - 6903 - 000	250 - 8
	313 - 3 5	FG6 - 1819 - 000	770 - 7	FG6 - 7185 - 000	570 - 1 8
FF5 - 9791 - 000	302 - 3 2	FG6 - 1820 - 000	770 - 8	FG6 - 7200 - 000	810 - 5 6
FF5 - 9793 - 000	303 - 3 6	FG6 - 1822 - 000	210 - 3 6 D	FG6 - 7201 - 000	106 - 1 1
FF5 - 9892 - 000	104 - 2 7	FG6 - 1823 - 000	210 - 2 5		B - J 1 4
FF6 - 1013 - 000	302 - 3 3	FG6 - 1824 - 000	210 - 2 6		B - J 1 7
FF6 - 1014 - 000	303 - 3 7	FG6 - 1826 - 000	215 - 2 2	FG6 - 7202 - 000	215 - 2 3
FF6 - 1016 - 000	600 - 5 1	FG6 - 1827 - 000	210 - 2 7	FG6 - 7203 - 000	570 - 1 9
FF6 - 1017 - 000	320 - 6 7	FG6 - 1828 - 000	210 - 2 8	FG6 - 7204 - 000	600 - 5 4
FF6 - 1019 - 000	300 - 3 2	FG6 - 1839 - 000	360 - 5 8	FG6 - 7206 - 000	110 - 4
FF6 - 1029 - 000	351 - 2 1	FG6 - 1840 - 000	360 - 5 9		111 - 3
FF6 - 1034 - 000	300 - 3 3	FG6 - 1841 - 000	360 - 6 0	FG6 - 7207 - 000	110 - 5
FF6 - 1041 - 000	640 - 1 8	FG6 - 1843 - 000	360 - 6 1		111 - 4
FF6 - 1046 - 000	351 - 2 2	FG6 - 1853 - 000	600 - 5 2	FG6 - 7208 - 000	105 - 1 3
FF6 - 1049 - 000	325 - 2 7		B - J 1 7	FG6 - 7211 - 000	106 - 1 2
FF6 - 1051 - 000	300 - 3 4	FG6 - 1854 - 000	640 - 1 9	FG6 - 7213 - 000	210 - 3 3
FF6 - 1052 - 000	300 - 3 4	FG6 - 1858 - 000	550 - 1 6	FG6 - 7214 - 000	270 - 2
FF6 - 1053 - 000	325 - 2 8	FG6 - 1866 - 000	315 - 3 5	FG6 - 7216 - 000	900 - 8
FF6 - 1054 - 000	300 - 3 5	FG6 - 1867 - 000	102 - 2 2	FG6 - 7217 - 000	900 - 9
	302 - 3 4	FG6 - 1871 - 000	320 - 6 9	FG6 - 7218 - 000	900 - 1 0
	303 - 3 8	FG6 - 1873 - 000	325 - 2 9	FG6 - 7220 - 000	980 - 1
FF6 - 1067 - 000	100 - 6 0	FG6 - 1874 - 000	325 - 3 0	FG6 - 7221 - 000	105 - 1 4
FF6 - 1082 - 000	810 - 5 0	FG6 - 1875 - 000	810 - 5 3	FG6 - 7222 - 000	900 - 1 1
FF6 - 1087 - 000	810 - 5 1		B - J 1 5	FG6 - 7223 - 000	210 - 3 5 B
FF6 - 1333 - 000	300 - 3 6	FG6 - 1876 - 000	320 - 7 0	FG6 - 7238 - 000	910 -
FF6 - 1336 - 000	101 - 1 5	FG6 - 1879 - 000	320 - 7 1	FG6 - 7239 - 000	910 - 4
FF6 - 1498 - 000	130 - 2 6	FG6 - 1880 - 000	810 - 5 4	FG6 - 7249 - 030	980 -
FF6 - 1499 - 000	130 - 2 7	FG6 - 1881 - 000	810 - 5 5	FG6 - 7257 - 000	970 -
FF6 - 1501 - 000	101 - 1 6	FG6 - 1882 - 000	910 - 2	FG6 - 7258 - 000	900 - 1 2
FF6 - 1502 - 000	194 - 2	FG6 - 1884 - 000	940 - 6	FG6 - 7260 - 000	210 - 3 4
FF6 - 1509 - 000	320 - 6 8	FG6 - 1885 - 000	940 - 7	FG6 - 7264 - 030	960 -
FF6 - 1516 - 000	102 - 2 1	FG6 - 1887 - 000	910 - 3	FG6 - 7266 - 000	900 - 1 3
FF6 - 1519 - 000	360 - 5 1	FG6 - 1888 - 000	231 - 3	FG6 - 7268 - 000	105 - 1 5
FF6 - 1520 - 000	360 - 5 2	FG6 - 1889 - 020	275 - 3 1	FG6 - 7270 - 000	111 -
FF6 - 1521 - 000	360 - 5 3	FG6 - 1891 - 000	645 - 1 0	FG6 - 7271 - 000	111 -
FF6 - 1524 - 000	100 - 6 1	FG6 - 1892 - 000	101 - 1 8	FG6 - 7278 - 050	900 - 1 4
FF6 - 1526 - 000	100 - 6 2	FG6 - 1893 - 000	210 - 2 9	FG6 - 7281 - 000	900 - 1 5
FF6 - 1529 - 000	101 - 1 7	FG6 - 1896 - 000	103 - 2 2	FG6 - 7284 - 000	900 - 1 6
FF6 - 1530 - 000	130 - 2 8	FG6 - 1898 - 000	190 - 1	FG6 - 7294 - 000	120 -
FF6 - 1531 - 000	100 - 6 3	FG6 - 1901 - 000	101 - 1 9	FG6 - 7313 - 000	550 -
FF6 - 1532 - 000	100 - 6 4	FG6 - 1904 - 000	107 - 1 1	FG6 - 7319 - 000	111 -
FF6 - 1533 - 000	311 - 5 1		B - J 1 1	FG6 - 7320 - 000	111 -
FF6 - 1534 - 000	312 - 4 8		B - J 1 5	FG6 - 7327 - 000	270 -
FF6 - 1535 - 000	313 - 3 6	FG6 - 1941 - 000	104 - 2 8	FG6 - 7328 - 000	280 -
FF6 - 1536 - 000	360 - 5 4	FG6 - 1942 - 000	210 - 3 0	FG6 - 7332 - 000	210 - 3 5
FF6 - 1541 - 000	100 - 6 5	FG6 - 1943 - 000	420 - 1 8	FG6 - 7366 - 000	351 -
FF6 - 1542 - 000	130 - 2 9	FG6 - 1971 - 000	105 - 1 2	FG6 - 7376 - 000	302 -
FF6 - 1843 - 000	360 - 5 5	FG6 - 1987 - 000	195 -	FG6 - 7377 - 000	303 -
FF6 - 1849 - 000	100 - 6 6	FG6 - 1996 - 000	263 -	FG6 - 7401 - 000	210 - 3 6
FF6 - 1850 - 000	100 - 6 7	FG6 - 2011 - 000	645 -	FG6 - 7405 - 000	935 - 2
FF6 - 1851 - 000	810 - 5 2	FG6 - 2020 - 020	775 -	FG6 - 7428 - 000	940 -
FF6 - 1856 - 000	315 - 3 4	FG6 - 2023 - 000	101 - 2 0	FG6 - 7429 - 000	600 - 5 5

D NUMERICAL INDEX

PART NUMBER	FIGURE & KEY NO.	PART NUMBER	FIGURE & KEY NO.	PART NUMBER	FIGURE & KEY NO.
FG6 - 7738 - 000	925 -	FG9 - 3889 - 000	312 -	FH4 - 6123 - 000	930 - I C 108
FG6 - 7745 - 000	810 - 57	FG9 - 3890 - 000	313 -		935 - I C 5
FG6 - 7747 - 000	770 -	FG9 - 3955 - 000	325 - 31	FH4 - 6135 - 000	935 - I C 4
FG6 - 7748 - 020	810 - 58	FH2 - 6452 - 000	210 - 37	FH4 - 6136 - 000	935 - I C 18
FG6 - 7999 - 000	194 -		B - J 162	FH4 - 6154 - 000	970 - I C 5
FG6 - 8005 - 000	110 -		B - J 163	FH4 - 6156 - 000	930 - I C 107
FG6 - 8006 - 000	320 -	FH2 - 6453 - 000	420 - 20	FH4 - 9157 - 000	985 - R 206
FG6 - 8008 - 000	251 -		B - J 163	FH4 - 9181 - 000	940 - RA 1
FG6 - 8009 - 000	250 -		B - J 164	FH6 - 0767 - 000	926 - LED909
FG6 - 8010 - 000	260 -		B - J 166		926 - LED910
FG6 - 8015 - 000	360 -	FH2 - 6480 - 000	B - J 152	FH6 - 0768 - 000	926 - LED907
FG6 - 8024 - 000	275 -		B - J 228		926 - LED908
FG6 - 8025 - 000	130 -	FH2 - 6552 - 000	110 - 6	FH6 - 0786 - 000	926 - VR901
FG6 - 8026 - 000	130 -		111 - 5	FH6 - 1135 - 000	550 - 17
FG6 - 8027 - 000	130 -		770 - 9		570 - 21
FG6 - 8032 - 000	325 -	FH2 - 6574 - 000	210 - 38		580 - 24
FG6 - 8033 - 000	330 -		B - J 162	FH6 - 1490 - 000	360 - 70
FG6 - 8041 - 000	350 -		B - J 852	FH6 - 1538 - 000	275 - 32
FG6 - 8042 - 000	810 -		B - J 1003	FH6 - 1541 - 000	231 - 4
FG6 - 8043 - 000	810 -	FH2 - 6756 - 000	900 - 19	FH6 - 1542 - 000	360 - 71
FG6 - 8576 - 000	190 -		B - J 1104	FH6 - 1543 - 000	645 - 11
FG6 - 8577 - 000	230 -		B - J 9202	FH6 - 1544 - 000	210 - 39
FG6 - 8579 - 000	460 -	FH2 - 6791 - 000	130 - 33	FH6 - 1545 - 000	190 - 2
FG6 - 8580 - 000	264 -		B - J 6801	FH6 - 1546 - 000	194 - 4
FG6 - 8583 - 000	985 -		B - J 7001		910 - 5
FG6 - 8584 - 000	320 -	FH2 - 6807 - 000	106 - 13	FH6 - 1547 - 000	210 - 40
FG6 - 8585 - 000	360 - 63	FH2 - 6842 - 000	130 - 34		215 - 24
FG6 - 8588 - 000	320 -	FH2 - 6877 - 000	110 - 7		600 - 58
FG6 - 8590 - 000	311 - 53	FH2 - 6898 - 000	210 - 36E		600 - 59
FG6 - 8591 - 000	312 - 50		B - J 1108	FH6 - 1548 - 000	320 - 75
FG6 - 8592 - 000	313 - 38		B - J 1503	FH6 - 1550 - 000	195 - 1
FG6 - 8593 - 000	360 - 64	FH2 - 6899 - 000	210 - 36F	FH6 - 1740 - 000	105 - 18
FG6 - 8594 - 000	600 - 56		B - J 1107	FH6 - 1877 - 000	105 - 19
FG6 - 8595 - 000	600 - 57		B - J 1502	FH6 - 1878 - 000	900 - 21
FG6 - 8597 - 000	910 -	FH2 - 6900 - 000	900 - 20	FH6 - 1886 - 000	210 - 41
FG6 - 8598 - 000	910 -		B - J 1302	FH6 - 1934 - 000	251 - 5
FG6 - 8599 - 020	930 - 1		B - J 1452	FH6 - 1935 - 000	250 - 9
FG6 - 8601 - 000	460 - 6	FH2 - 6901 - 000	111 - 6	FH6 - 1936 - 000	260 - 6
FG6 - 8604 - 000	107 - 12	FH2 - 6919 - 000	111 - 7	FH6 - 1937 - 000	320 - 76
FG6 - 8605 - 000	311 - 54	FH2 - 6920 - 000	111 - 8	FH6 - 1939 - 000	360 - 72
	312 - 51	FH2 - 6921 - 000	111 - 9	FH6 - 1940 - 000	360 - 73
	313 - 39	FH2 - 9231 - 000	985 - 1	FH6 - 1942 - 000	320 - 77
	360 - 65		B - J 731	FH6 - 1960 - 000	101 - 23
FG6 - 8609 - 000	930 - 2		B - J 732	FH6 - 1961 - 000	600 - 60
FG6 - 8614 - 000	900 - 17		B - J 733	FH6 - 3337 - 000	985 - R 551
FG6 - 8616 - 000	360 - 66	FH2 - 9232 - 000	106 - 14		985 - R 561
	B - J 322	FH2 - 9233 - 000	106 - 15		985 - R 571
	B - J 323	FH2 - 9235 - 000	106 - 16		985 - R 581
	B - J 326	FH2 - 9242 - 000	580 - 23		985 - R 851
	B - J 329	FH3 - 0242 - 000	940 - T 1		985 - R 857
	B - J 330	FH3 - 0665 - 000	910 - CT 301	FH6 - 3994 - 000	510 - 8
	B - J 336	FH3 - 0666 - 000	910 - CT 111	FH6 - 5013 - 000	325 - 32
	B - J 338		910 - CT 111	FH6 - 5014 - 000	264 - 5
	B - J 340		945 - T 1002		311 - 55
	B - J 366	FH3 - 0688 - 000	910 - L 501		312 - 52
	B - J 380	FH3 - 0744 - 000	910 - T 301		320 - 78
	B - J 381	FH3 - 0766 - 000	985 - T 601		360 - 74
	B - J 3601	FH3 - 0830 - 000	985 - T 701	FH6 - 5015 - 000	270 - 3
	B - J 3602	FH3 - 0859 - 000	910 - T 931	FH6 - 5016 - 000	264 - 6
	B - J 3603	FH3 - 0879 - 000	945 - T 1001	FH6 - 5017 - 000	270 - 4
	B - J 3605	FH3 - 0881 - 000	945 - T 1003	FH6 - 5043 - 000	230 - 3
	B - J 3607	FH3 - 0888 - 000	910 - T 901		264 - 7
	B - J 3608	FH3 - 0889 - 000	910 - L 251		311 - 56
	B - J 3609	FH3 - 0890 - 000	910 - L 351		312 - 53
FG6 - 8617 - 000	360 - 67	FH3 - 0893 - 000	985 - T 101		313 - 40
FG6 - 8618 - 000	360 - 68		985 - T 501	FH7 - 3347 - 000	420 - 21
FG6 - 8619 - 000	360 - 69		985 - T 801	FH7 - 3395 - 000	600 - 61
FG6 - 8620 - 000	102 - 27	FH3 - 0894 - 000	985 - T 301	FH7 - 4559 - 000	420 - 22
FG6 - 8621 - 000	320 - 73		985 - T 401	FH7 - 4585 - 000	305 - 3
FG6 - 8622 - 000	194 - 3		960 - T 1	FH7 - 4714 - 000	510 - 9
FG6 - 8623 - 000	230 - 2		960 - L 1	FH7 - 4715 - 000	510 - 9
	264 - 4		960 - L 2	FH7 - 4719 - 000	810 - 59
FG6 - 8625 - 000	900 - 18		925 - T 1	FH7 - 4720 - 000	810 - 59
FG6 - 8724 - 000	600 -	FH3 - 0961 - 000	980 - T 1	FH7 - 4723 - 000	810 - 60
FG6 - 8730 - 000	640 -	FH3 - 5237 - 000	910 - L 4	FH7 - 4724 - 000	810 - 60
FG6 - 8733 - 020	580 -	FH3 - 7195 - 000	945 - L 1002	FH7 - 5702 - 000	311 - 57
FG6 - 8735 - 000	810 -	FH3 - 7202 - 000	945 - L 1001	FH7 - 5836 - 000	320 - 79
FG6 - 8736 - 000	315 -	FH4 - 1380 - 000	920 - Q 6 8 2 2	FH7 - 5838 - 000	315 - 36
FG6 - 8738 - 000	320 - 74	FH4 - 3882 - 000	970 - I C 12	FH7 - 5840 - 000	645 - 12
FG6 - 8740 - 000	570 -	FH4 - 3883 - 000	970 - I C 13	FH7 - 5844 - 000	320 - 80
FG6 - 9114 - 000	316 -	FH4 - 5904 - 000	970 - I C 2	FH7 - 5845 - 000	320 - 81
FG9 - 3863 - 000	570 - 20	FH4 - 5905 - 000	970 - I C 3	FH7 - 6253 - 000	120 - 7
FG9 - 3878 - 000	105 - 16	FH4 - 6019 - 000	940 - 8	FH7 - 6327 - 000	105 - 20
FG9 - 3879 - 000	105 - 17	FH4 - 6040 - 000	910 - Q 9 0 1	FH7 - 6331 - 000	960 - RL 1
FG9 - 3888 - 000	311 -	FH4 - 6104 - 000	930 - I C 119	FH7 - 7196 - 020	360 - 75

D NUMERICAL INDEX

PART NUMBER	FIGURE & KEY NO.	PART NUMBER	FIGURE & KEY NO.	PART NUMBER	FIGURE & KEY NO.
FH7 - 7337 - 000	640 - 2 0	FS2 - 9327 - 000	107 - 1 3	FS5 - 3333 - 000	313 - 4 7
	645 - 1 3	FS2 - 9343 - 000	103 - 2 4	FS5 - 3337 - 020	260 - 1 2
FH7 - 7394 - 000	102 - 2 8		103 - 2 5	FS5 - 3609 - 000	250 - 1 2
FH7 - 7423 - 000	210 - 4 2	FS2 - 9410 - 000	770 - 1 1	FS5 - 3610 - 000	280 - 5
FH7 - 7424 - 000	210 - 4 3	FS2 - 9428 - 000	302 - 3 5	FS5 - 3612 - 000	250 - 1 3
	210 - 4 4		303 - 3 9	FS5 - 3613 - 000	360 - 8 3
FH7 - 7426 - 000	101 - 2 4	FS3 - 0046 - 000	270 - 6	FS5 - 3615 - 000	320 - 9 7
FH7 - 7462 - 000	101 - 2 5	FS3 - 0098 - 000	275 - 3 5	FS5 - 3617 - 000	360 - 8 4
	101 - 2 6	FS3 - 0165 - 000	230 - 5	FS5 - 3889 - 000	270 - 8
	102 - 2 3 A		260 - 1 0	FS5 - 3890 - 000	250 - 1 4
	102 - 2 9	FS3 - 2044 - 000	107 - 1 4		280 - 6
	103 - 2 3	FS3 - 2053 - 000	810 - 6 8	FS5 - 3942 - 000	360 - 8 5
	210 - 4 5	FS3 - 2159 - 000	320 - 8 8	FS5 - 3943 - 000	360 - 8 6
	210 - 4 6	FS3 - 2887 - 000	600 - 6 3	FS5 - 3945 - 000	360 - 8 7
	231 - 5	FS4 - 0012 - 000	302 - 3 6	FS5 - 6329 - 000	320 - 9 8
	275 - 3 3		303 - 4 0	FS5 - 6487 - 000	250 - 1 5
	311 - 5 8	FS4 - 0014 - 000	261 - 5		320 - 9 9
	312 - 5 4		264 - 8		320 - 1 0 0
	313 - 4 1	FS4 - 0145 - 000	260 - 1 1		325 - 3 4
	315 - 3 7		261 - 6		360 - 8 8
	320 - 8 2	FS4 - 0157 - 000	270 - 7		810 - 7 1
	325 - 3 3	FS4 - 0160 - 000	302 - 3 7	FS5 - 6488 - 000	270 - 9
	360 - 7 6		303 - 4 1		280 - 7
	770 - 1 0	FS4 - 2048 - 000	320 - 8 9		320 - 1 0 1
	810 - 6 1	FS4 - 2136 - 000	302 - 3 8		360 - 8 9
FH7 - 7464 - 000	810 - 6 2		303 - 4 2	FS5 - 6574 - 000	640 - 2 2
FH7 - 7485 - 000	210 - 4 7	FS5 - 0338 - 000	311 - 6 1	FS5 - 6575 - 000	320 - 1 0 2
FH7 - 7574 - 000	110 - 8		312 - 5 7	FS5 - 6579 - 000	640 - 2 3
	111 - 1 0		313 - 4 5	FS5 - 6581 - 000	315 - 4 1
FN5 - 4002 - 000	940 - 9		360 - 7 8	FS5 - 6583 - 000	810 - 7 2
FN5 - 4009 - 000	215 - 2 5	FS5 - 0398 - 000	230 - 6	FS5 - 6684 - 000	210 - 5 0
FS1 - 0542 - 000	320 - 8 3	FS5 - 0514 - 000	102 - 3 2	FS5 - 7128 - 000	107 - 2 1
FS1 - 1189 - 000	230 - 4		263 - 3	FS5 - 8618 - 000	300 - 3 0 A
	260 - 7		360 - 7 9		302 - 3 9
	263 - 1	FS5 - 0532 - 000	300 - 3 7		303 - 4 3
FS1 - 1202 - 000	645 - 1 4	FS5 - 0710 - 000	360 - 8 0	FS5 - 8619 - 000	300 - 3 1 B
FS1 - 1401 - 000	350 - 2 0	FS5 - 0714 - 000	360 - 8 1	FS5 - 8623 - 000	105 - 2 2
	360 - 7 7	FS5 - 1004 - 000	351 - 2 4		460 - 7
FS1 - 1449 - 000	260 - 8	FS5 - 1372 - 000	350 - 2 2	FS5 - 9166 - 000	101 - 2 8
	810 - 6 3	FS5 - 1467 - 020	106 - 1 7	FS5 - 9210 - 000	320 - 1 0 3
FS1 - 1503 - 000	645 - 1 5		320 - 9 0	FS5 - 9214 - 000	985 - 2
FS1 - 1508 - 000	320 - 8 4	FS5 - 1468 - 020	107 - 1 5	FS5 - 9216 - 000	101 - 2 9
FS1 - 1510 - 000	275 - 3 4	FS5 - 1474 - 000	320 - 9 1	FS5 - 9219 - 000	210 - 5 1
FS1 - 1512 - 000	311 - 5 9	FS5 - 1787 - 000	104 - 3 1	FS5 - 9221 - 000	360 - 9 0
	312 - 5 5	FS5 - 1796 - 000	275 - 3 6	FS5 - 9277 - 000	351 - 2 7
	313 - 4 2	FS5 - 1798 - 000	105 - 2 1	FS5 - 9282 - 000	107 - 1 1 B
FS1 - 1569 - 000	311 - 6 0	FS5 - 1800 - 000	600 - 6 4		107 - 2 2
	312 - 5 6	FS5 - 1801 - 000	600 - 6 5		107 - 2 3
	313 - 4 3	FS5 - 1802 - 000	275 - 3 7	FS5 - 9284 - 000	351 - 2 8
	315 - 3 8	FS5 - 1803 - 000	320 - 9 2	FS5 - 9398 - 000	770 - 1 2
	810 - 6 4	FS5 - 1804 - 000	107 - 1 6	FS5 - 9491 - 000	210 - 5 2
FS1 - 2834 - 000	810 - 6 5	FS5 - 2322 - 000	107 - 1 7	FS5 - 9619 - 000	810 - 7 3
FS1 - 9002 - 000	210 - 4 8	FS5 - 2323 - 020	107 - 1 8	FS5 - 9752 - 000	810 - 7 4
FS1 - 9009 - 000	430 - 1 2	FS5 - 2328 - 000	300 - 3 8	FS6 - 0048 - 000	311 - 6 3
FS1 - 9051 - 000	810 - 6 6	FS5 - 2650 - 000	300 - 3 9	FS6 - 0049 - 000	311 - 6 4
FS1 - 9199 - 000	350 - 2 1	FS5 - 2901 - 000	275 - 3 8	FS6 - 0051 - 000	311 - 6 5
	351 - 2 3	FS5 - 2907 - 020	320 - 9 3	FS6 - 0053 - 020	264 - 9
FS2 - 0088 - 000	720 - 1 2	FS5 - 2911 - 000	312 - 5 8		311 - 6 6
FS2 - 0089 - 000	720 - 1 3	FS5 - 2914 - 000	312 - 5 9		312 - 6 1
FS2 - 0090 - 000	720 - 1 4	FS5 - 2919 - 000	313 - 4 6		313 - 4 8
FS2 - 0091 - 000	720 - 1 5	FS5 - 2921 - 000	100 - 6 9	FS6 - 0055 - 000	261 - 7
FS2 - 0441 - 000	320 - 8 5		100 - 7 0	FS6 - 0056 - 000	260 - 1 3
FS2 - 0485 - 000	270 - 5	FS5 - 2922 - 000	100 - 7 1		261 - 8
FS2 - 0544 - 000	313 - 4 4		100 - 7 2		263 - 4
FS2 - 0566 - 000	102 - 3 0	FS5 - 2928 - 000	120 - 8		270 - 1 0
	102 - 3 1	FS5 - 2940 - 000	810 - 6 9		311 - 6 7
FS2 - 0875 - 000	645 - 1 6	FS5 - 2944 - 000	351 - 2 5		312 - 6 2
FS2 - 1014 - 000	640 - 2 1	FS5 - 2946 - 000	350 - 2 3		325 - 3 5
FS2 - 1256 - 000	810 - 6 7	FS5 - 2947 - 000	320 - 9 4	FS6 - 0062 - 000	260 - 1 4
FS2 - 1357 - 000	315 - 3 9	FS5 - 2949 - 000	320 - 9 5	FS6 - 0070 - 000	360 - 9 1
FS2 - 1463 - 000	600 - 6 2	FS5 - 2950 - 000	810 - 7 0	FS6 - 0081 - 000	320 - 1 0 4
FS2 - 2001 - 000	720 - 1 6	FS5 - 2953 - 020	350 - 2 4	FS6 - 0096 - 000	260 - 1 5
FS2 - 2002 - 000	720 - 1 7	FS5 - 2958 - 000	101 - 2 7	FS6 - 0103 - 000	810 - 7 5
FS2 - 2036 - 020	510 - 1 0	FS5 - 2959 - 000	280 - 4	FS6 - 0105 - 000	810 - 7 6
FS2 - 2058 - 000	720 - 1 8	FS5 - 2964 - 000	107 - 1 1 A	FS6 - 0106 - 000	810 - 7 7
FS2 - 2551 - 000	580 - 2 5	FS5 - 2965 - 000	107 - 1 9	FS6 - 0115 - 000	550 - 1 8
FS2 - 3494 - 020	260 - 9		107 - 2 0		570 - 2 2
	261 - 4	FS5 - 2967 - 000	320 - 9 6		580 - 2 6
	263 - 2	FS5 - 2978 - 000	250 - 1 1	FS6 - 0121 - 000	600 - 6 6
FS2 - 3495 - 000	250 - 1 0	FS5 - 2982 - 000	351 - 2 6	FS6 - 0134 - 000	810 - 7 8
	280 - 3	FS5 - 3177 - 000	316 - 1 2	FS6 - 0136 - 000	600 - 6 7
FS2 - 9001 - 000	215 - 2 6	FS5 - 3314 - 000	360 - 8 2	FS6 - 0138 - 000	600 - 6 8
	320 - 8 6	FS5 - 3331 - 000	315 - 4 0	FS6 - 0145 - 000	360 - 9 2
FS2 - 9267 - 000	210 - 4 9	FS5 - 3333 - 000	311 - 6 2	FS6 - 0557 - 000	360 - 9 3
	320 - 8 7		312 - 6 0	FS6 - 0857 - 000	640 - 2 4

D NUMERICAL INDEX

PART NUMBER	FIGURE & KEY NO.	PART NUMBER	FIGURE & KEY NO.	PART NUMBER	FIGURE & KEY NO.
FS6 - 0899 - 000	320 - 105	FS6 - 2990 - 000	810 - 79	FS7 - 8290 - 000	100 - 67 A
FS6 - 0972 - 000	600 - 69	FS6 - 2991 - 000	600 - 79	FS7 - 8291 - 000	100 - 66 A
FS6 - 0973 - 000	600 - 70	FS6 - 2992 - 000	360 - 104	FS7 - 8318 - 000	100 - 66 A
FS6 - 0975 - 000	600 - 71	FS6 - 2993 - 020	320 - 117	FS7 - 8319 - 000	100 - 66 A
FS6 - 0976 - 000	600 - 72	FS6 - 2994 - 000	600 - 80	FS7 - 8320 - 000	100 - 66 A
FS6 - 0977 - 000	600 - 73	FS6 - 2996 - 000	311 - 72	FS7 - 8322 - 000	100 - 67 A
FS6 - 0978 - 000	600 - 74	FS6 - 2997 - 000	312 - 64	FS7 - 8323 - 000	100 - 67 A
FS6 - 0979 - 000	640 - 25	FS6 - 2998 - 000	275 - 43	FS7 - 8324 - 000	100 - 67 A
FS6 - 0980 - 000	640 - 26	FS6 - 2999 - 000	260 - 17	FS8 - 8194 - 000	100 - 77
FS6 - 0981 - 000	640 - 27	FS6 - 4243 - 000	104 - 35	FU3 - 0414 - 000	280 - 13
FS6 - 0982 - 000	640 - 28		104 - 36	FU3 - 0415 - 000	280 - 14
FS6 - 0983 - 000	640 - 29	FS6 - 8386 - 000	320 - 56 A	FU3 - 0416 - 000	280 - 15
FS6 - 0984 - 000	640 - 30	FS6 - 8387 - 000	320 - 63 A	FY1 - 0883 - 000	550 - 19
FS6 - 0985 - 000	640 - 31	FS6 - 8399 - 000	600 - 81	FY1 - 1157 - 000	810 - 89
FS6 - 0988 - 000	645 - 17	FS6 - 8411 - 000	300 - 44	FY9 - 3014 - 000	020 - 1
FS6 - 0989 - 000	645 - 18	FS6 - 8703 - 000	320 - 118	FY9 - 3040 - 020	020 - 2
FS6 - 0990 - 000	645 - 19	FS6 - 8704 - 000	360 - 53 A	FY9 - 3041 - 000	020 - 3
FS6 - 0991 - 000	320 - 106	FS6 - 8706 - 000	316 - 13	RA1 - 7807 - 000	316 - 14
FS6 - 0992 - 000	320 - 107	FS6 - 8707 - 000	316 - 13	RH2 - 5283 - 000	B - J 47
FS6 - 0993 - 000	320 - 108	FS6 - 8708 - 000	316 - 13		B - J 112
FS6 - 0994 - 000	320 - 109	FS6 - 8709 - 000	316 - 10 A		B - J 246
FS6 - 0995 - 000	320 - 110	FS6 - 8820 - 000	105 - 22		B - J 16
FS6 - 0996 - 000	320 - 111		460 - 7	RH2 - 5339 - 000	985 - T202
FS6 - 0997 - 000	320 - 112	FS6 - 8821 - 000	101 - 30	RH3 - 0071 - 000	960 - SK1
FS6 - 0998 - 000	320 - 113	FS6 - 8822 - 000	101 - 30	RH6 - 3434 - 000	960 - SK2
FS6 - 0999 - 000	320 - 114	FS6 - 8823 - 000	100 - 75		960 - SK3
FS6 - 1025 - 000	600 - 75	FS6 - 8980 - 000	300 - 45		960 - SK4
FS6 - 2098 - 000	130 - 35	FS6 - 8981 - 000	302 - 42	RS6 - 0057 - 000	251 - 7
FS6 - 2667 - 000	104 - 32	FS6 - 8982 - 000	300 - 46	RY1 - 1502 - 000	580 - 27
	104 - 33	FS6 - 8990 - 000	300 - 47	VD5 - 0323 - 501	930 - FU103
FS6 - 2668 - 000	311 - 68	FS6 - 8992 - 000	100 - 76		930 - FU104
FS6 - 2670 - 000	311 - 69	FS7 - 0002 - 000	320 - 119		930 - FU105
FS6 - 2678 - 000	311 - 70	FS7 - 0006 - 000	320 - 120	VD7 - 0642 - 001	105 - 15 A
	312 - 63	FS7 - 0007 - 000	810 - 80	VD7 - 0642 - 501	960 - FU2
	313 - 49	FS7 - 0008 - 000	810 - 81	VD7 - 0646 - 301	910 - FU101
FS6 - 2691 - 000	300 - 40	FS7 - 0010 - 000	251 - 6	VD7 - 1621 - 001	945 - FU1002
FS6 - 2692 - 000	300 - 41	FS7 - 0011 - 000	106 - 18	VD7 - 1622 - 001	210 - 30 A
FS6 - 2693 - 000	300 - 42	FS7 - 0012 - 000	250 - 16		925 - FU1
FS6 - 2694 - 000	300 - 43	FS7 - 0014 - 000	250 - 17	VD7 - 1624 - 000	945 - FU1001
FS6 - 2737 - 000	210 - 53	FS7 - 0015 - 000	270 - 11	VS1 - 0279 - 003	B - J 335
FS6 - 2742 - 000	311 - 71	FS7 - 0016 - 000	250 - 18	VS1 - 0279 - 004	B - J 2
FS6 - 2748 - 000	600 - 76	FS7 - 0017 - 000	250 - 19	VS1 - 0279 - 005	B - J 1
FS6 - 2749 - 000	600 - 77	FS7 - 0018 - 000	250 - 20	VS1 - 0280 - 004	B - J 412
FS6 - 2750 - 000	640 - 32	FS7 - 0019 - 000	250 - 21	VS1 - 0842 - 002	B - CN 1
FS6 - 2751 - 000	640 - 33	FS7 - 0020 - 000	280 - 9	VS1 - 0842 - 003	B - J 6804
FS6 - 2752 - 000	280 - 8	FS7 - 0021 - 000	280 - 10	VS1 - 0842 - 006	B - J 108
FS6 - 2756 - 000	775 - 9	FS7 - 0022 - 000	280 - 11	VS1 - 0842 - 014	B - J 6805
FS6 - 2759 - 000	940 - 10	FS7 - 0026 - 000	280 - 12	VS1 - 0842 - 015	B - J 6802
FS6 - 2760 - 000	770 - 13	FS7 - 0027 - 000	775 - 10	VS1 - 5057 - 002	101 - 19 A
FS6 - 2761 - 000	210 - 54	FS7 - 0033 - 000	264 - 10		110 - 2 A
FS6 - 2763 - 000	275 - 39	FS7 - 0034 - 000	264 - 11		111 - 2 A
FS6 - 2764 - 000	275 - 40	FS7 - 0035 - 020	260 - 18		120 - 9
FS6 - 2769 - 000	360 - 94	FS7 - 0036 - 000	260 - 19		230 - 7
FS6 - 2770 - 000	360 - 95	FS7 - 0039 - 000	315 - 45		251 - 4 A
FS6 - 2771 - 000	360 - 96	FS7 - 0040 - 000	315 - 46		264 - 3 A
FS6 - 2772 - 000	360 - 97	FS7 - 0041 - 000	315 - 47		264 - 12
FS6 - 2773 - 000	360 - 98	FS7 - 0043 - 000	275 - 44		270 - 2 A
FS6 - 2774 - 000	275 - 41	FS7 - 0044 - 000	275 - 45		270 - 13
FS6 - 2776 - 000	260 - 16	FS7 - 0048 - 000	600 - 82		275 - 31 A
FS6 - 2777 - 000	360 - 99	FS7 - 0050 - 000	600 - 83		311 - 52 A
FS6 - 2825 - 000	102 - 33	FS7 - 0051 - 000	275 - 46		311 - 53 A
FS6 - 2826 - 000	100 - 73	FS7 - 0072 - 000	270 - 12		312 - 50 A
	100 - 74	FS7 - 0662 - 000	303 - 46		313 - 38 A
FS6 - 2828 - 000	102 - 34	FS7 - 0891 - 000	810 - 82		320 - 122
FS6 - 2830 - 000	360 - 100	FS7 - 0893 - 000	810 - 83		320 - 123
FS6 - 2831 - 000	360 - 101	FS7 - 0894 - 000	810 - 84		325 - 31 A
FS6 - 2832 - 000	360 - 102	FS7 - 0895 - 000	810 - 85		360 - 58 A
FS6 - 2833 - 000	320 - 115	FS7 - 0896 - 000	250 - 22		550 - 20
FS6 - 2847 - 000	104 - 34	FS7 - 0897 - 000	250 - 23		550 - 21
FS6 - 2885 - 000	351 - 29	FS7 - 0898 - 000	250 - 24		570 - 23
FS6 - 2886 - 000	351 - 30	FS7 - 0899 - 000	320 - 121		580 - 28
FS6 - 2887 - 000	275 - 42	FS7 - 0901 - 000	325 - 36		600 - 56 A
FS6 - 2888 - 000	102 - 35	FS7 - 2057 - 000	315 - 48		600 - 85
FS6 - 2889 - 000	102 - 36	FS7 - 2319 - 000	350 - 25		645 - 10 A
FS6 - 2892 - 000	315 - 42	FS7 - 2523 - 000	810 - 86		810 - 55 A
FS6 - 2893 - 000	315 - 43	FS7 - 2524 - 000	810 - 87		B - J 48
FS6 - 2894 - 000	210 - 55	FS7 - 2530 - 000	810 - 88		B - J 104
FS6 - 2980 - 000	360 - 103	FS7 - 2531 - 000	250 - 25		B - J 105
FS6 - 2981 - 000	600 - 78	FS7 - 2532 - 000	104 - 37		B - J 111
FS6 - 2982 - 000	320 - 116	FS7 - 2533 - 000	313 - 50		B - J 141
FS6 - 2983 - 000	302 - 40	FS7 - 2902 - 000	600 - 84		B - J 143
	303 - 44	FS7 - 5687 - 000	303 - 47		B - J 186
FS6 - 2984 - 000	302 - 41	FS7 - 8109 - 000	210 - 36 G		B - J 190
	303 - 45	FS7 - 8287 - 000	300 - 48		B - J 196
FS6 - 2985 - 000	315 - 44	FS7 - 8289 - 000	316 - 13		B - J 200

D NUMERICAL INDEX

PART NUMBER	FIGURE & KEY NO.	PART NUMBER	FIGURE & KEY NO.	PART NUMBER	FIGURE & KEY NO.		
VS1 - 5057 - 002	B - J 207	VS1 - 5057 - 003	B - J 241	VS1 - 5824 - 007	B - J 243		
	B - J 217		B - J 256		VS1 - 6023 - 014	B - CN902	
	B - J 230		B - J 261		VS1 - 6023 - 015	B - CN901	
	B - J 231		B - J 265		VS1 - 6302 - 002	B - J 51	
	B - J 234		B - J 294			B - J 248	
	B - J 242		B - J 303			B - J 1027	
	B - J 245		B - J 334			B - J 1722	
	B - J 251		B - J 336		VS1 - 6302 - 003	B - J 1715	
	B - J 252		B - J 338		VS1 - 6302 - 004	B - J 520	
	B - J 253		B - J 340			B - J 721	
	B - J 254		B - J 342			B - J 791	
	B - J 255		B - J 363			B - J 1058	
	B - J 264		B - J 364			B - J 1305	
	B - J 271		B - J 381			B - J 2030	
	B - J 282		B - J 383			B - J 2031	
	B - J 283		B - J 901		VS1 - 6302 - 005	B - J 165	
	B - J 289		B - J 2270			B - J 722	
	B - J 293		101 - 18A			B - J 741	
	B - J 301		105 - 24		VS1 - 6302 - 006	B - J 783	
	B - J 306		107 - 10A		VS1 - 6302 - 008	B - J 1101	
	B - J 307		215 - 22A			B - J 1501	
	B - J 313		313 - 38B			B - J 1712	
	B - J 320		320 - 71B			B - J 1720	
	B - J 321		600 - 54A		VS1 - 6302 - 009	B - J 1102	
	B - J 331		900 - 5A			B - J 1723	
	B - J 332		B - J 116		VS1 - 6302 - 011	B - J 763	
	B - J 333		B - J 130		VS1 - 6302 - 012	B - J 1714	
	B - J 362		B - J 146		VS1 - 6302 - 013	B - J 1721	
	B - J 365		B - J 204		VS1 - 6302 - 015	B - J 1020	
	B - J 5031		B - J 257			B - J 1716	
	B - J 5032		B - J 266		VS1 - 6304 - 003	B - J 164	
	VS1 - 5057 - 003		101 - 19B		B - J 291	VS1 - 6313 - 008	B - J 507
			101 - 22A		B - J 317	VS1 - 6313 - 010	B - J 167
			102 - 37		B - J 411		B - J 314
			103 - 22A		110 - 2B		B - J 503
			104 - 38		111 - 2B		B - J 518
			105 - 23		B - J 151		B - J 1110
			107 - 24		210 - 26A	VS1 - 6313 - 011	B - J 290
			190 - 1A		215 - 22B		B - J 502
			194 - 3A		231 - 3A	VS1 - 6313 - 012	B - J 516
195 - 2		360 - 66A	VS1 - 6313 - 013	107 - 25			
210 - 25A		810 - 55C		320 - 126			
210 - 27A		940 - 7A		B - J 158			
210 - 28A		B - J 108		B - J 197			
210 - 56		B - J 168		B - J 281			
215 - 27		B - J 211		B - J 305			
315 - 35A		B - J 213		B - J 509			
316 - 15		B - J 214		B - J 513			
320 - 69A		B - J 258		B - J 515			
320 - 71A		B - J 268		B - J 517			
320 - 124		210 - 35C		B - J 1019			
320 - 125		270 - 2B	VS1 - 6313 - 014	B - J 1109			
360 - 58B		275 - 47		B - J 121			
360 - 59A		325 - 31B		B - J 229			
360 - 61A		770 - 7A		B - J 504			
360 - 67A		B - J 172		B - J 506			
360 - 68A		B - J 198		B - J 511			
600 - 86		B - J 239		B - J 514			
600 - 87		B - J 243		B - J 1453			
645 - 10B		B - J 249	VS1 - 6313 - 015	B - J 512			
770 - 8A		B - J 250	VS1 - 6313 - 016	107 - 26			
810 - 55B		311 - 53B		B - J 322			
B - J 101		312 - 50B		B - J 505			
B - J 113		B - J 235		B - J 510			
B - J 114		B - J 286		B - J 519			
B - J 118		B - J 350	VS1 - 6313 - 017	B - J 407			
B - J 119		360 - 58C		B - J 1461			
B - J 120		B - J 330	VS1 - 6313 - 018	B - J 405			
B - J 127		315 - 49		B - J 1018			
B - J 129		B - J 224		B - J 7002			
B - J 133		B - J 152	VS1 - 6313 - 020	107 - 27			
B - J 136	B - J 240		320 - 127				
B - J 137	B - J 228		B - J 180				
B - J 139	B - J 23		B - J 508				
B - J 140	B - J 42	VS1 - 6314 - 002	B - J 216				
B - J 142	B - J 43	VS1 - 6314 - 003	B - J 177				
B - J 144	B - J 46		B - J 326				
B - J 175	B - J 56		B - J 346				
B - J 191	B - J 271		B - J 347				
B - J 205	B - J 28		B - J 1021				
B - J 209	B - J 48		B - J 1728				
B - J 210	B - J 245	VS1 - 6314 - 004	B - J 276				
B - J 222	B - J 244		B - J 278				
B - J 225	B - J 334		B - J 280				
B - J 227	B - J 108		B - J 298				

D NUMERICAL INDEX

PART NUMBER	FIGURE & KEY NO.	PART NUMBER	FIGURE & KEY NO.	PART NUMBER	FIGURE & KEY NO.
VS1 - 6314 - 004	B - J 328 B - J 343 B - J 351 B - J 355 B - J 359 B - J 366 B - J 401 B - J 523 B - J 529 B - J 1061 B - J 1113 B - J 5029 B - J 9203	VS1 - 6318 - 003	B - J 346 B - J 347	VS1 - 6321 - 002	B - J 267 B - J 271 B - J 282 B - J 289 B - J 293 B - J 301 B - J 306 B - J 313 B - J 320 B - J 321 B - J 331 B - J 332 B - J 333 B - J 362 B - J 365 B - J 5031 B - J 5032
VS1 - 6314 - 005	B - J 408 B - J 409 B - J 3701 B - J 5030	VS1 - 6318 - 004	215 - 22C 360 - 64A 900 - 8A B - J 343 B - J 366 B - J 401 B - J 5029	VS1 - 6321 - 003	B - J 101 B - J 102 B - J 103 B - J 113 B - J 114 B - J 115 B - J 118 B - J 120 B - J 122 B - J 127 B - J 128 B - J 129 B - J 132 B - J 133 B - J 136 B - J 137 B - J 139 B - J 140 B - J 142 B - J 144 B - J 145 B - J 147 B - J 156 B - J 157 B - J 159 B - J 169 B - J 171 B - J 174 B - J 175 B - J 182 B - J 184 B - J 185 B - J 191 B - J 194 B - J 199 B - J 205 B - J 208 B - J 209 B - J 210 B - J 222 B - J 223 B - J 225 B - J 226 B - J 227 B - J 232 B - J 233 B - J 236 B - J 237 B - J 241 B - J 256 B - J 259 B - J 260 B - J 261 B - J 262 B - J 265 B - J 269 B - J 270 B - J 284 B - J 285 B - J 292 B - J 294 B - J 295 B - J 296 B - J 303 B - J 304 B - J 308 B - J 309 B - J 315
VS1 - 6314 - 006	B - J 135 B - J 155 B - J 192 B - J 1304	VS1 - 6318 - 005	600 - 88 900 - 9A B - J 408 B - J 5030		
VS1 - 6314 - 007	B - J 173 B - J 526	VS1 - 6318 - 006	210 - 28B 810 - 56A 910 - 3A B - J 135 B - J 155 B - J 192		
VS1 - 6314 - 008	B - J 344 B - J 507	VS1 - 6318 - 007	900 - 9B B - J 173 B - J 344		
VS1 - 6314 - 009	B - J 402 B - J 1006	VS1 - 6318 - 008	900 - 8B B - J 402		
VS1 - 6314 - 010	B - J 167 B - J 187 B - J 314 B - J 503 B - J 518 B - J 1024 B - J 1110 B - J 1719	VS1 - 6318 - 009	810 - 55D B - J 187		
VS1 - 6314 - 011	B - J 290 B - J 404 B - J 502 B - J 1023 B - J 9001	VS1 - 6318 - 010	900 - 9C B - J 404 B - J 138 B - J 403 B - J 124		
VS1 - 6314 - 012	B - J 516 B - J 1112	VS1 - 6318 - 011	313 - 38C B - J 167 B - J 314		
VS1 - 6314 - 013	107 - 28 320 - 128 B - J 138 B - J 158 B - J 197 B - J 281 B - J 305 B - J 403 B - J 509 B - J 513 B - J 515 B - J 517 B - J 1109	VS1 - 6318 - 013	101 - 31 B - J 290		
VS1 - 6314 - 014	B - J 121 B - J 124 B - J 229 B - J 504 B - J 506 B - J 511 B - J 514 B - J 1453	VS1 - 6318 - 014	311 - 73 B - J 158 B - J 281 B - J 305		
VS1 - 6314 - 015	B - J 512	VS1 - 6318 - 014	312 - 65 900 - 9D B - J 121 B - J 229 B - J 407 B - J 405 B - J 230 B - J 283 B - J 307 B - J 119 B - J 170 B - J 188 B - J 189 B - J 287 B - J 311 B - J 2270		
VS1 - 6314 - 016	107 - 29 B - J 322 B - J 505 B - J 510 B - J 519 B - J 723 B - J 1303	VS1 - 6318 - 014	B - J 124 313 - 38C B - J 167 B - J 314		
VS1 - 6314 - 017	B - J 407 B - J 1461	VS1 - 6318 - 015	101 - 31 B - J 290		
VS1 - 6314 - 018	B - J 405 B - J 7002	VS1 - 6318 - 016	311 - 73 B - J 158 B - J 281 B - J 305		
VS1 - 6314 - 020	107 - 30 320 - 129 B - J 180 B - J 508	VS1 - 6318 - 017	312 - 65 900 - 9D B - J 121 B - J 229 B - J 407 B - J 405 B - J 230 B - J 283 B - J 307 B - J 119 B - J 170 B - J 188 B - J 189 B - J 287 B - J 311 B - J 2270		
VS1 - 6318 - 002	270 - 2C B - J 216	VS1 - 6318 - 018	B - J 124 313 - 38C B - J 167 B - J 314		
VS1 - 6318 - 003	210 - 35D 360 - 58D B - J 177 B - J 326	VS1 - 6318 - 019	101 - 31 B - J 290		

D NUMERICAL INDEX

PART NUMBER	FIGURE & KEY NO.	PART NUMBER	FIGURE & KEY NO.	PART NUMBER	FIGURE & KEY NO.
VS1 - 6321 - 003	B - J 316	VS1 - 6380 - 003	B - J 1	VT2 - 5161 - 026	B - J 197
	B - J 318		B - J 781		B - J 281
	B - J 319		B - J 6		B - J 305
	B - J 327		B - J 12		B - J 509
	B - J 334		B - J 13		B - J 513
	B - J 336		B - J 24		B - J 515
	B - J 337	VS1 - 6407 - 080	B - J1014		B - J 517
	B - J 338	B - J9201	B - J 1019		
	B - J 339	VS1 - 6490 - 008	B - J 32		B - J1019
	B - J 340	VS1 - 6619 - 040	B - J1017		B - J 121
	B - J 341	B - J1551	B - J 229		
	B - J 342	VS1 - 6694 - 030	B - J 50		B - J 504
	B - J 363	VS1 - 6695 - 030	B - J 50	B - J 506	
	B - J 364	VS1 - 6702 - 002	B - J 51	B - J 511	
	B - J 381	VS1 - 6702 - 004	B - J2030	B - J 514	
	B - J 383	VS1 - 6702 - 006	B - J 324	B - J1453	
	B - J 784		B - J 380	B - J 512	
	B - J 804		B - J 382	107 - 36	
	B - J 901	VS1 - 6702 - 007	B - J 325	B - J 322	
	B - J 902	VS1 - 6702 - 012	B - J 323	B - J 505	
	B - J1727	VS3 - 0315 - 011	B - J 764	B - J 510	
	B - J2270	VS3 - 5083 - 002	B - J 23	B - J 519	
	VS1 - 6321 - 004	B - J 3	B - J 42	B - J 407	
		B - J 116	B - J 43	B - J1461	
		B - J 130	B - J 46	B - J 405	
		B - J 146	B - J 56	B - J1018	
		B - J 204	B - J 601	B - J7002	
B - J 257		B - J 611	107 - 37		
B - J 266		B - J 621	320 - 133		
B - J 291		B - J 651	B - J 180		
B - J 317		B - J 737	B - J 508		
B - J 348		B - J1001	900 - 22		
B - J 411		B - J 3	900 - 23		
B - J 411		B - J 761	120 - 10		
B - J 762		B - J 851	101 - 32		
B - J 785		B - J 943	275 - 48		
B - J1060		B - J1454	275 - 49		
B - J1060		B - J 782	900 - 24		
VS1 - 6321 - 005		B - J 151	B - J 2	130 - 36	
B - J 302		B - J 28	B - J 501	930 - BAT1	
B - J 602		B - J 701	B - J 801	935 - BAT1	
B - J 612		B - J 801	B - J1718	900 - 14A	
B - J 622		B - J1718	B - J1724	900 - 25	
B - J 853		VS3 - 5083 - 003	B - J 5	B - J 1	
VS1 - 6321 - 006		B - J 168	VS3 - 5083 - 004	B - J 3	B - J 2
		B - J 211	VS3 - 5083 - 006	B - J 761	B - J 335
		B - J 213	VS3 - 5083 - 007	B - J 851	B - J 764
		B - J 214	VS3 - 5083 - 011	B - J 943	B - J 412
		B - J 258	VS3 - 5083 - 015	B - J1454	B - J 2
	B - J 268	VS3 - 5121 - 002	B - J1713	B - J 3	
	B - J 268	VS3 - 5121 - 003	B - J 26	B - J 5	
	B - J 652	VS3 - 5121 - 004	B - J 11	B - J 23	
	B - J1022		B - J 12	B - J 28	
B - J1114		B - J 13	B - J 42		
VS1 - 6321 - 007	B - J 172	VS3 - 5203 - 005	B - J 24	B - J 43	
	B - J 198	VS4 - 0001 - 002	B - J 109	B - J 46	
	B - J 239	VS4 - 0001 - 003	B - J 20	B - J 56	
	B - J 243		B - J 21	B - J 501	
	B - J 249		B - J 18	B - J 601	
	B - J 250		B - J 19	B - J 611	
VS1 - 6321 - 008	B - J 235	VS4 - 0001 - 004	B - J 25	B - J 621	
	B - J 286	VS4 - 0001 - 006	B - J 45	B - J 651	
	B - J 350	VS4 - 0001 - 012	B - J 40	B - J 701	
	B - J1002	VS4 - 0001 - 015	B - J 41	B - J 737	
	B - J 330	VS4 - 0001 - 015	B - J 34	B - J 761	
VS1 - 6321 - 009	B - J 224	VS4 - 0002 - 002	B - J 20	B - J 782	
	B - J 792	VS4 - 0002 - 003	B - J 21	B - J 801	
	B - J 802		B - J 14	B - J 851	
VS1 - 6327 - 026	320 - 130	VS4 - 0002 - 004	B - J 18	B - J 943	
	B - J 197	VS4 - 0002 - 006	B - J 25	B - J1001	
VS1 - 6327 - 040	320 - 131	VS4 - 0002 - 012	B - J 45	B - J1454	
	B - J 180	VS4 - 0002 - 015	B - J 40	B - J1713	
VS1 - 6328 - 026	107 - 31	VS4 - 0002 - 015	B - J 41	B - J1718	
	B - J 197	VT2 - 0001 - 003	B - J 34	B - J1724	
VS1 - 6328 - 032	107 - 32	VT2 - 0001 - 006	910 - 6	B - J 11	
	B - J 322	VT2 - 5161 - 016	107 - 34	B - J 12	
VS1 - 6328 - 040	107 - 33	VT2 - 5161 - 020	B - J 507	B - J 24	
	B - J 180		B - J 167	B - J 4	
VS1 - 6372 - 002	B - J 37		B - J 314	B - J 6	
VS1 - 6372 - 008	B - J 35		B - J 503	B - J 12	
VS1 - 6373 - 002	B - J 37		B - J 518	B - J 24	
	B - J 247	VT2 - 5161 - 022	B - J1110	B - J 4	
VS1 - 6373 - 008	B - J 32		B - J 290	B - J 6	
	B - J 35	VT2 - 5161 - 024	B - J 502	B - J 12	
	B - J 4	VT2 - 5161 - 026	B - J 516	B - J 13	
VS1 - 6380 - 002	B - J 26		107 - 35	B - J 24	
			320 - 132	B - J 781	
			B - J 158	B - J 23	
				WS3 - 5301 - 000	
				WS3 - 5291 - 000	
				WS3 - 5292 - 000	
				WS3 - 5301 - 000	

D NUMERICAL INDEX

PART NUMBER	FIGURE & KEY NO.	PART NUMBER	FIGURE & KEY NO.	PART NUMBER	FIGURE & KEY NO.								
WS3 - 5301 - 000	B - J 2 8 B - J 4 2 B - J 4 3 B - J 4 6 B - J 5 6 B - J 2 7 1	WS4 - 0217 - 000 WS4 - 0218 - 000	B - J 4 1 B - J 2 1 B - J 4 5	XA9 - 0605 - 000	360 - 1 0 7 360 - 1 0 8 600 - 9 1								
WS3 - 5358 - 000	B - J 4 8 B - J 1 0 8 B - J 2 4 3 B - J 2 4 4 B - J 2 4 5 B - J 3 3 4	WS4 - 0219 - 000	B - J 1 8 B - J 1 9 B - J 2 0 B - J 2 5 B - J 3 4 B - J 4 5 B - J 2 1 B - J 4 0 B - J 4 1 B - J 1 6	XA9 - 0606 - 000 XA9 - 0615 - 000	100 - 8 0 100 - 8 1 130 - 4 0								
WS3 - 5365 - 000 WS3 - 5419 - 000	B - J 1 0 9 B - J 4 7 B - J 1 1 2 B - J 2 4 6	WS4 - 0220 - 000	B - J 2 1 B - J 4 0 B - J 4 1 B - J 1 6	XA9 - 0625 - 000 XA9 - 0626 - 000	350 - 2 6 325 - 3 8 351 - 3 1								
WS3 - 5472 - 000	B - J 1 B - J 2 6	WT1 - 0579 - 000 WT1 - 0580 - 000	110 - 1 1 111 - 1 3	XA9 - 0628 - 000	100 - 8 2 102 - 3 9 102 - 4 0 103 - 2 6 103 - 2 7 104 - 4 0 104 - 4 1 104 - 4 2 104 - 4 3 105 - 2 5 105 - 2 6 105 - 2 7 106 - 2 3 108 - 8 108 - 9 195 - 3 210 - 5 9 230 - 8 231 - 7 250 - 2 6 251 - 8 260 - 2 0 261 - 9 263 - 5 264 - 1 3 270 - 1 4 280 - 1 6 300 - 5 1 300 - 5 2 305 - 5 311 - 7 7 312 - 6 9 313 - 5 1 315 - 5 1 315 - 5 2 320 - 1 3 7 320 - 1 3 8 325 - 3 9 350 - 2 7 351 - 3 2 360 - 1 0 9								
WS3 - 5473 - 000 WS3 - 5569 - 000	B - J 2 6 B - J 5 1 B - J 1 6 5 B - J 2 4 7 B - J 2 4 8 B - J 7 2 1 B - J 7 2 2 B - J 7 4 1 B - J 7 6 3 B - J 7 9 1 B - J 1 1 0 1 B - J 1 5 0 1 B - J 1 7 2 3 B - J 2 0 3 0 B - J 2 0 3 1	WT2 - 0184 - 000 WT2 - 5041 - 000 WT2 - 5178 - 000	102 - 3 8 305 - 4 104 - 2 9 A 210 - 2 7 B 313 - 3 8 D 550 - 2 2 315 - 5 0 101 - 1 9 C 105 - 1 3 A 106 - 1 1 A 107 - 4 1 194 - 5 231 - 6 250 - 8 A 313 - 3 8 E 320 - 1 3 5 360 - 6 6 B 600 - 8 9 645 - 1 0 C 770 - 8 B 970 - 1 B - J 1 0 9 1 775 - 1 1 600 - 9 0 640 - 3 4 645 - 2 0 600 - 5 0 1 510 - 5 0 1 580 - 2 9 190 - 3 106 - 1 9 106 - 2 0 106 - 2 1 550 - 2 3 580 - 3 0 360 - 1 0 5 325 - 3 7 107 - 4 2 215 - 2 8 311 - 7 4 312 - 6 6 935 - 3 130 - 3 7 210 - 5 7 312 - 6 7 106 - 2 2 460 - 8 430 - 1 3 215 - 2 9 900 - 2 6 210 - 5 8 130 - 3 8 300 - 4 9 311 - 7 5 570 - 2 4 360 - 1 0 6 104 - 3 9 130 - 3 9 420 - 2 3 570 - 2 5 100 - 7 8 100 - 7 9 275 - 5 0 300 - 5 0 302 - 4 3 303 - 4 8 311 - 7 6 312 - 6 8 320 - 1 3 6 330 - 7	WT2 - 5189 - 000 WT2 - 5565 - 000	315 - 5 0 101 - 1 9 C 105 - 1 3 A 106 - 1 1 A 107 - 4 1 194 - 5 231 - 6 250 - 8 A 313 - 3 8 E 320 - 1 3 5 360 - 6 6 B 600 - 8 9 645 - 1 0 C 770 - 8 B 970 - 1 B - J 1 0 9 1 775 - 1 1 600 - 9 0 640 - 3 4 645 - 2 0 600 - 5 0 1 510 - 5 0 1 580 - 2 9 190 - 3 106 - 1 9 106 - 2 0 106 - 2 1 550 - 2 3 580 - 3 0 360 - 1 0 5 325 - 3 7 107 - 4 2 215 - 2 8 311 - 7 4 312 - 6 6 935 - 3 130 - 3 7 210 - 5 7 312 - 6 7 106 - 2 2 460 - 8 430 - 1 3 215 - 2 9 900 - 2 6 210 - 5 8 130 - 3 8 300 - 4 9 311 - 7 5 570 - 2 4 360 - 1 0 6 104 - 3 9 130 - 3 9 420 - 2 3 570 - 2 5 100 - 7 8 100 - 7 9 275 - 5 0 300 - 5 0 302 - 4 3 303 - 4 8 311 - 7 6 312 - 6 8 320 - 1 3 6 330 - 7	WT8 - 0053 - 000 X62 - 5133 - 000 X62 - 7921 - 000 X71 - 9310 - 000	970 - 1 B - J 1 0 9 1 775 - 1 1 600 - 9 0 640 - 3 4 645 - 2 0 600 - 5 0 1 510 - 5 0 1 580 - 2 9 190 - 3 106 - 1 9 106 - 2 0 106 - 2 1 550 - 2 3 580 - 3 0 360 - 1 0 5 325 - 3 7 107 - 4 2 215 - 2 8 311 - 7 4 312 - 6 6 935 - 3 130 - 3 7 210 - 5 7 312 - 6 7 106 - 2 2 460 - 8 430 - 1 3 215 - 2 9 900 - 2 6 210 - 5 8 130 - 3 8 300 - 4 9 311 - 7 5 570 - 2 4 360 - 1 0 6 104 - 3 9 130 - 3 9 420 - 2 3 570 - 2 5 100 - 7 8 100 - 7 9 275 - 5 0 300 - 5 0 302 - 4 3 303 - 4 8 311 - 7 6 312 - 6 8 320 - 1 3 6 330 - 7	XA1 - 1160 - 207 XA1 - 6260 - 409 XA9 - 0034 - 000 XA9 - 0189 - 000 XA9 - 0207 - 000	106 - 1 9 106 - 2 0 106 - 2 1 550 - 2 3 580 - 3 0 360 - 1 0 5 325 - 3 7 107 - 4 2 215 - 2 8 311 - 7 4 312 - 6 6 935 - 3 130 - 3 7 210 - 5 7 312 - 6 7 106 - 2 2 460 - 8 430 - 1 3 215 - 2 9 900 - 2 6 210 - 5 8 130 - 3 8 300 - 4 9 311 - 7 5 570 - 2 4 360 - 1 0 6 104 - 3 9 130 - 3 9 420 - 2 3 570 - 2 5 100 - 7 8 100 - 7 9 275 - 5 0 300 - 5 0 302 - 4 3 303 - 4 8 311 - 7 6 312 - 6 8 320 - 1 3 6 330 - 7	XA9 - 0228 - 000	550 - 2 3 580 - 3 0 360 - 1 0 5 325 - 3 7 107 - 4 2 215 - 2 8 311 - 7 4 312 - 6 6 935 - 3 130 - 3 7 210 - 5 7 312 - 6 7 106 - 2 2 460 - 8 430 - 1 3 215 - 2 9 900 - 2 6 210 - 5 8 130 - 3 8 300 - 4 9 311 - 7 5 570 - 2 4 360 - 1 0 6 104 - 3 9 130 - 3 9 420 - 2 3 570 - 2 5 100 - 7 8 100 - 7 9 275 - 5 0 300 - 5 0 302 - 4 3 303 - 4 8 311 - 7 6 312 - 6 8 320 - 1 3 6 330 - 7	XA9 - 0629 - 000	100 - 8 3 100 - 8 4 100 - 8 5 107 - 4 3 101 - 3 3 103 - 2 8 104 - 4 4 105 - 2 8 107 - 4 4 311 - 7 8 312 - 7 0 325 - 4 0 100 - 8 6 101 - 3 4 102 - 4 1 103 - 2 9 104 - 4 5 105 - 2 9 106 - 2 4 107 - 4 5 107 - 4 6 108 - 1 0 210 - 6 0 311 - 7 9 312 - 7 1 320 - 1 3 9 460 - 9 940 - 1 1 130 - 4 1 302 - 4 4 303 - 4 9 100 - 8 7 300 - 5 3 302 - 4 5 303 - 5 0
WS3 - 5571 - 000 WS3 - 5596 - 000	B - J 1 6 4 B - J 2 2 8 B - J 2 4 0	XA9 - 0266 - 000 XA9 - 0271 - 000	130 - 3 7 210 - 5 7 312 - 6 7	XA9 - 0630 - 000	101 - 3 3 103 - 2 8 104 - 4 4 105 - 2 8 107 - 4 4 311 - 7 8 312 - 7 0 325 - 4 0 100 - 8 6 101 - 3 4 102 - 4 1 103 - 2 9 104 - 4 5 105 - 2 9 106 - 2 4 107 - 4 5 107 - 4 6 108 - 1 0 210 - 6 0 311 - 7 9 312 - 7 1 320 - 1 3 9 460 - 9 940 - 1 1 130 - 4 1 302 - 4 4 303 - 4 9 100 - 8 7 300 - 5 3 302 - 4 5 303 - 5 0								
WS3 - 5598 - 000	B - J 3 2 B - J 3 5 B - J 3 7	XA9 - 0384 - 000 XA9 - 0385 - 000 XA9 - 0425 - 000 XA9 - 0427 - 000 XA9 - 0465 - 000 XA9 - 0520 - 000 XA9 - 0591 - 000	106 - 2 2 460 - 8 430 - 1 3 215 - 2 9 900 - 2 6 210 - 5 8 130 - 3 8 300 - 4 9 311 - 7 5 570 - 2 4 360 - 1 0 6 104 - 3 9 130 - 3 9 420 - 2 3 570 - 2 5 100 - 7 8 100 - 7 9 275 - 5 0 300 - 5 0 302 - 4 3 303 - 4 8 311 - 7 6 312 - 6 8 320 - 1 3 6 330 - 7	XA9 - 0633 - 000	311 - 7 8 312 - 7 0 325 - 4 0 100 - 8 6 101 - 3 4 102 - 4 1 103 - 2 9 104 - 4 5 105 - 2 9 106 - 2 4 107 - 4 5 107 - 4 6 108 - 1 0 210 - 6 0 311 - 7 9 312 - 7 1 320 - 1 3 9 460 - 9 940 - 1 1 130 - 4 1 302 - 4 4 303 - 4 9 100 - 8 7 300 - 5 3 302 - 4 5 303 - 5 0								
WS3 - 5607 - 000	107 - 3 8 107 - 3 9 107 - 4 0 B - J 1 8 0 B - J 1 9 7 B - J 3 2 2	XA9 - 0592 - 000 XA9 - 0596 - 000	360 - 1 0 6 104 - 3 9 130 - 3 9 420 - 2 3 570 - 2 5 100 - 7 8 100 - 7 9 275 - 5 0 300 - 5 0 302 - 4 3 303 - 4 8 311 - 7 6 312 - 6 8 320 - 1 3 6 330 - 7	XA9 - 0633 - 000	311 - 7 8 312 - 7 0 325 - 4 0 100 - 8 6 101 - 3 4 102 - 4 1 103 - 2 9 104 - 4 5 105 - 2 9 106 - 2 4 107 - 4 5 107 - 4 6 108 - 1 0 210 - 6 0 311 - 7 9 312 - 7 1 320 - 1 3 9 460 - 9 940 - 1 1 130 - 4 1 302 - 4 4 303 - 4 9 100 - 8 7 300 - 5 3 302 - 4 5 303 - 5 0								
WS3 - 5609 - 000	320 - 1 3 4 B - J 1 8 0 B - J 1 9 7	XA9 - 0605 - 000	100 - 7 8 100 - 7 9 275 - 5 0 300 - 5 0 302 - 4 3 303 - 4 8 311 - 7 6 312 - 6 8 320 - 1 3 6 330 - 7	XA9 - 0633 - 000	311 - 7 8 312 - 7 0 325 - 4 0 100 - 8 6 101 - 3 4 102 - 4 1 103 - 2 9 104 - 4 5 105 - 2 9 106 - 2 4 107 - 4 5 107 - 4 6 108 - 1 0 210 - 6 0 311 - 7 9 312 - 7 1 320 - 1 3 9 460 - 9 940 - 1 1 130 - 4 1 302 - 4 4 303 - 4 9 100 - 8 7 300 - 5 3 302 - 4 5 303 - 5 0								
WS3 - 5610 - 000	110 - 9 111 - 1 1	XA9 - 0670 - 000 XA9 - 0685 - 000	100 - 7 8 100 - 7 9 275 - 5 0 300 - 5 0 302 - 4 3 303 - 4 8 311 - 7 6 312 - 6 8 320 - 1 3 6 330 - 7	XA9 - 0633 - 000	311 - 7 8 312 - 7 0 325 - 4 0 100 - 8 6 101 - 3 4 102 - 4 1 103 - 2 9 104 - 4 5 105 - 2 9 106 - 2 4 107 - 4 5 107 - 4 6 108 - 1 0 210 - 6 0 311 - 7 9 312 - 7 1 320 - 1 3 9 460 - 9 940 - 1 1 130 - 4 1 302 - 4 4 303 - 4 9 100 - 8 7 300 - 5 3 302 - 4 5 303 - 5 0								
WS3 - 5612 - 000 WS3 - 5613 - 000	111 - 1 2 110 - 1 0	XA9 - 0670 - 000 XA9 - 0685 - 000	100 - 7 8 100 - 7 9 275 - 5 0 300 - 5 0 302 - 4 3 303 - 4 8 311 - 7 6 312 - 6 8 320 - 1 3 6 330 - 7	XA9 - 0633 - 000	311 - 7 8 312 - 7 0 325 - 4 0 100 - 8 6 101 - 3 4 102 - 4 1 103 - 2 9 104 - 4 5 105 - 2 9 106 - 2 4 107 - 4 5 107 - 4 6 108 - 1 0 210 - 6 0 311 - 7 9 312 - 7 1 320 - 1 3 9 460 - 9 940 - 1 1 130 - 4 1 302 - 4 4 303 - 4 9 100 - 8 7 300 - 5 3 302 - 4 5 303 - 5 0								
WS3 - 5680 - 000	B - J 3 2 B - J 3 5 B - J 3 7 B - J 5 0 B - J 5 2 0 B - J 7 8 3 B - J 1 0 2 0 B - J 1 0 2 7 B - J 1 0 5 8 B - J 1 1 0 2 B - J 1 3 0 5 B - J 1 7 1 2 B - J 1 7 1 4 B - J 1 7 1 5 B - J 1 7 1 6 B - J 1 7 2 0 B - J 1 7 2 1 B - J 1 7 2 2	XA9 - 0670 - 000 XA9 - 0685 - 000	100 - 7 8 100 - 7 9 275 - 5 0 300 - 5 0 302 - 4 3 303 - 4 8 311 - 7 6 312 - 6 8 320 - 1 3 6 330 - 7	XA9 - 0633 - 000	311 - 7 8 312 - 7 0 325 - 4 0 100 - 8 6 101 - 3 4 102 - 4 1 103 - 2 9 104 - 4 5 105 - 2 9 106 - 2 4 107 - 4 5 107 - 4 6 108 - 1 0 210 - 6 0 311 - 7 9 312 - 7 1 320 - 1 3 9 460 - 9 940 - 1 1 130 - 4 1 302 - 4 4 303 - 4 9 100 - 8 7 300 - 5 3 302 - 4 5 303 - 5 0								
WS3 - 5719 - 000 WS3 - 5720 - 000	B - J 5 0 B - J 5 1 B - J 3 2 3 B - J 3 2 4 B - J 3 2 5 B - J 3 8 0 B - J 3 8 2 B - J 2 0 3 0	XA9 - 0721 - 000	100 - 7 8 100 - 7 9 275 - 5 0 300 - 5 0 302 - 4 3 303 - 4 8 311 - 7 6 312 - 6 8 320 - 1 3 6 330 - 7	XA9 - 0633 - 000	311 - 7 8 312 - 7 0 325 - 4 0 100 - 8 6 101 - 3 4 102 - 4 1 103 - 2 9 104 - 4 5 105 - 2 9 106 - 2 4 107 - 4 5 107 - 4 6 108 - 1 0 210 - 6 0 311 - 7 9 312 - 7 1 320 - 1 3 9 460 - 9 940 - 1 1 130 - 4 1 302 - 4 4 303 - 4 9 100 - 8 7 300 - 5 3 302 - 4 5 303 - 5 0								
WS4 - 0217 - 000	B - J 1 4 B - J 1 8 B - J 2 0 B - J 2 5 B - J 3 4 B - J 4 0	XA9 - 0721 - 000	100 - 7 8 100 - 7 9 275 - 5 0 300 - 5 0 302 - 4 3 303 - 4 8 311 - 7 6 312 - 6 8 320 - 1 3 6 330 - 7	XA9 - 0633 - 000	311 - 7 8 312 - 7 0 325 - 4 0 100 - 8 6 101 - 3 4 102 - 4 1 103 - 2 9 104 - 4 5 105 - 2 9 106 - 2 4 107 - 4 5 107 - 4 6 108 - 1 0 210 - 6 0 311 - 7 9 312 - 7 1 320 - 1 3 9 460 - 9 940 - 1 1 130 - 4 1 302 - 4 4 303 - 4 9 100 - 8 7 300 - 5 3 302 - 4 5 303 - 5 0								

D NUMERICAL INDEX

PART NUMBER	FIGURE & KEY NO.	PART NUMBER	FIGURE & KEY NO.	PART NUMBER	FIGURE & KEY NO.
XA9 - 0739 - 000	110 - 12 111 - 14	XB1 - 2300 - 609	312 - 503 313 - 502	XB1 - 2401 - 409	105 - 504 210 - 508
XA9 - 0774 - 000	107 - 47		320 - 503		215 - 502
XA9 - 0807 - 000	810 - 90		351 - 501		320 - 509
XA9 - 0813 - 000	251 - 9		510 - 502	XB1 - 2401 - 609	600 - 508
XA9 - 0828 - 000	900 - 27		550 - 502	XB1 - 2402 - 009	110 - 503
XA9 - 0836 - 000	900 - 28 900 - 29		570 - 503 580 - 501		111 - 503 360 - 506
XA9 - 0870 - 000	215 - 30		600 - 503		900 - 504
XA9 - 0899 - 000	360 - 110		810 - 502	XB1 - 2402 - 509	275 - 506
XA9 - 0908 - 000	315 - 53 320 - 140 360 - 111		940 - 501 940 - 502	XB1 - 2403 - 009	210 - 509 910 - 503
	103 - 30	XB1 - 2300 - 809	320 - 504	XB1 - 2403 - 509	105 - 505
XA9 - 0915 - 000	550 - 24 580 - 31		600 - 504 645 - 503	XB1 - 2404 - 009	320 - 510
	103 - 31	XB1 - 2301 - 007	600 - 505	XB1 - 2500 - 606	110 - 504 111 - 504
XA9 - 0924 - 000	810 - 91	XB1 - 2301 - 207	210 - 504	XB1 - 3400 - 606	130 - 504
XA9 - 0925 - 000	130 - 42	XB1 - 2301 - 209	550 - 503	XB2 - 4300 - 607	210 - 510
XA9 - 0940 - 000	320 - 141 251 - 10		420 - 502 460 - 501	XB2 - 7300 - 407	640 - 504 325 - 502
XA9 - 0962 - 000	210 - 61	XB1 - 2301 - 407	110 - 501 111 - 501	XB2 - 7300 - 607	550 - 505 580 - 502
XA9 - 0965 - 000	250 - 27		770 - 501		600 - 509
XA9 - 1030 - 000	260 - 21 320 - 142 325 - 41	XB1 - 2301 - 603	570 - 504	XB2 - 7400 - 606	110 - 505 111 - 505
	106 - 25	XB1 - 2302 - 503	550 - 504		130 - 505
XA9 - 1090 - 000	106 - 26	XB1 - 2400 - 407	320 - 505	XB2 - 7400 - 607	210 - 511
XA9 - 1091 - 000	215 - 31	XB1 - 2400 - 409	570 - 505		360 - 507
	210 - 62		103 - 502 103 - 503		460 - 503
XA9 - 1092 - 000	107 - 48		103 - 504		770 - 503
XA9 - 1131 - 000	900 - 30		104 - 501		930 - 501
XA9 - 1207 - 000	900 - 31		104 - 502	XB2 - 7400 - 806	320 - 511
XA9 - 1208 - 000	106 - 27		104 - 503	XB2 - 8300 - 607	420 - 503
XA9 - 1278 - 000	103 - 32		305 - 501	XB2 - 8300 - 609	600 - 510
XA9 - 1331 - 000	275 - 501		320 - 506	XB2 - 8300 - 805	360 - 508
XB1 - 1200 - 405	302 - 501		810 - 503	XB2 - 8300 - 809	420 - 504
XB1 - 2200 - 409	303 - 501	XB1 - 2400 - 606	100 - 501 101 - 502	XB2 - 8400 - 809	275 - 507 510 - 504
	101 - 501		107 - 502	XB2 - 8401 - 007	105 - 506
XB1 - 2230 - 809	120 - 501		110 - 502		105 - 507
	250 - 501		111 - 502	XB2 - 8401 - 009	320 - 512
	275 - 502		316 - 501		810 - 507
XB1 - 2260 - 407	320 - 501	XB1 - 2400 - 607	107 - 503	XB2 - 8401 - 209	810 - 508
XB1 - 2300 - 402	570 - 501		275 - 504	XB3 - 6300 - 800	107 - 504
	640 - 501		302 - 502		120 - 502
XB1 - 2300 - 407	311 - 501		303 - 503	XB3 - 6400 - 805	105 - 508
	312 - 501		900 - 503	XB3 - 6401 - 000	130 - 506
	313 - 501	XB1 - 2400 - 609	102 - 504	XB4 - 5400 - 805	194 - 501
	320 - 502		103 - 505	XB4 - 5401 - 006	100 - 502
	570 - 502		103 - 506	XB4 - 7300 - 509	600 - 511
XB1 - 2300 - 409	210 - 501		103 - 507	XB4 - 7300 - 607	300 - 503
	311 - 502		104 - 504		300 - 504
	312 - 502		210 - 505	XB4 - 7300 - 609	101 - 504
	315 - 501		210 - 506		316 - 502
	325 - 501		215 - 501	XB4 - 7300 - 809	210 - 512
	350 - 501		275 - 505		320 - 513
	360 - 501		300 - 502		360 - 509
	360 - 502		302 - 503		640 - 505
	420 - 501		303 - 504		645 - 504
	430 - 501		311 - 504	XB4 - 7301 - 209	360 - 510
	640 - 502		312 - 504		720 - 501
	645 - 501		313 - 503	XB4 - 7301 - 609	320 - 514
	645 - 502		315 - 502	XB4 - 7303 - 007	215 - 503
	810 - 501		320 - 507	XB4 - 7303 - 009	210 - 513
XB1 - 2300 - 506	107 - 501		320 - 508		600 - 512
XB1 - 2300 - 602	600 - 502		350 - 502		600 - 513
XB1 - 2300 - 603	550 - 501		360 - 503	XB4 - 7400 - 809	107 - 505
XB1 - 2300 - 604	640 - 503		360 - 504	XB5 - 6401 - 609	231 - 501
XB1 - 2300 - 605	130 - 501		460 - 502	XB6 - 2300 - 408	302 - 504
XB1 - 2300 - 607	130 - 502		510 - 503		303 - 505
	210 - 502		600 - 506		810 - 509
	900 - 501		600 - 507	XB6 - 2400 - 509	311 - 505
	900 - 502		770 - 502		312 - 505
	910 - 501		810 - 504		320 - 515
	910 - 502		940 - 503		360 - 511
XB1 - 2300 - 609	102 - 501		940 - 504	XB6 - 2400 - 608	264 - 501
	102 - 502		985 - 501	XB6 - 2400 - 609	325 - 503
	102 - 503	XB1 - 2400 - 805	105 - 502	XB6 - 2401 - 008	260 - 501
	103 - 501	XB1 - 2400 - 806	101 - 503	XB6 - 7300 - 405	900 - 505
	105 - 501		130 - 503	XB6 - 7300 - 409	305 - 502
	210 - 503	XB1 - 2400 - 809	810 - 505		430 - 502
	275 - 503	XB1 - 2401 - 009	105 - 503	XB6 - 7300 - 609	210 - 514
	300 - 501		360 - 505		350 - 503
	303 - 502		810 - 506		420 - 505
	311 - 503	XB1 - 2401 - 209	210 - 507		550 - 506

D NUMERICAL INDEX

PART NUMBER	FIGURE & KEY NO.	PART NUMBER	FIGURE & KEY NO.	PART NUMBER	FIGURE & KEY NO.
XB6 - 7300 - 609	810 - 510	XD2 - 1100 - 502	300 - 506	XD3 - 2200 - 082	315 - 508
XB6 - 7300 - 809	275 - 508		303 - 508	XD3 - 2200 - 102	280 - 505
XB6 - 7400 - 609	105 - 509		311 - 510		311 - 514
	210 - 515		312 - 508		312 - 512
	215 - 504		313 - 508		313 - 513
	305 - 503		315 - 505		315 - 509
	320 - 516		320 - 522		320 - 533
	600 - 514		320 - 523	XD3 - 2200 - 122	102 - 512
XB6 - 7401 - 609	510 - 505		325 - 507		102 - 513
XB7 - 2100 - 309	320 - 517		350 - 505		102 - 514
XB7 - 2200 - 409	810 - 511		360 - 514		250 - 504
XD1 - 1103 - 137	320 - 518		600 - 518		263 - 503
XD1 - 1103 - 139	640 - 506		640 - 508		264 - 503
	645 - 505		645 - 507		270 - 503
XD1 - 1103 - 633	107 - 506		720 - 502		280 - 506
XD1 - 1104 - 132	311 - 506		770 - 505		311 - 515
XD1 - 1104 - 133	107 - 507		810 - 515		312 - 513
XD1 - 1104 - 135	101 - 505	XD2 - 1100 - 602	320 - 524		313 - 514
XD1 - 1104 - 138	770 - 504	XD2 - 1100 - 642	102 - 509		315 - 510
XD1 - 1104 - 139	360 - 512		102 - 510		320 - 534
XD1 - 1105 - 235	105 - 510		102 - 511		360 - 516
XD1 - 1105 - 239	105 - 511		105 - 512		810 - 520
XD1 - 1106 - 218	102 - 505		120 - 503	XD3 - 2200 - 142	250 - 505
XD1 - 1106 - 221	645 - 506		210 - 516		260 - 503
XD1 - 1106 - 222	640 - 507		210 - 517		261 - 502
	810 - 512		230 - 501		263 - 504
XD1 - 1106 - 223	102 - 506		250 - 503		270 - 504
XD1 - 1106 - 235	107 - 508		251 - 501		275 - 513
	600 - 515		260 - 502		280 - 507
XD1 - 1108 - 212	325 - 504		261 - 501		320 - 535
XD1 - 1108 - 219	263 - 501		263 - 502		325 - 509
XD1 - 1108 - 221	215 - 505		264 - 502		330 - 503
XD1 - 1108 - 222	280 - 501		270 - 502		360 - 517
XD1 - 1108 - 223	313 - 504		275 - 511	XD3 - 2200 - 162	230 - 502
XD1 - 1108 - 226	313 - 505		280 - 504		250 - 506
XD1 - 1108 - 229	360 - 513		302 - 507		260 - 504
XD1 - 1108 - 235	300 - 505		303 - 509		261 - 503
XD1 - 1108 - 239	302 - 505		311 - 511		263 - 505
	303 - 506		312 - 509		264 - 504
XD1 - 2100 - 307	550 - 507		313 - 509		320 - 536
XD1 - 3100 - 307	107 - 509		320 - 525		330 - 504
	130 - 507		320 - 526		360 - 518
XD1 - 3100 - 805	108 - 501		320 - 527	XD3 - 2200 - 182	250 - 507
XD1 - 4200 - 502	110 - 506		320 - 528		360 - 519
	111 - 506		325 - 508		775 - 502
XD2 - 1100 - 172	320 - 519		330 - 501	XD3 - 2200 - 202	320 - 537
XD2 - 1100 - 242	231 - 502		360 - 515	XD3 - 2300 - 122	275 - 514
	311 - 507		430 - 503	XD3 - 2300 - 142	250 - 508
	312 - 506		430 - 504		260 - 505
	313 - 506		600 - 519	XD3 - 2300 - 182	260 - 506
	320 - 520		645 - 508	XD3 - 2300 - 202	320 - 538
	350 - 504		775 - 501	XD3 - 2300 - 322	320 - 539
	550 - 508		810 - 516	XD9 - 0104 - 000	302 - 46
	570 - 506		320 - 529		303 - 51
	580 - 503	XD2 - 1100 - 802	330 - 502	XF2 - 1611 - 080	360 - 112
	810 - 513		600 - 520	XF2 - 1612 - 680	360 - 113
XD2 - 1100 - 322	275 - 509		810 - 517	XF9 - 0393 - 000	316 - 16
	280 - 502		810 - 518	XF9 - 0502 - 000	315 - 54
	311 - 508	XD2 - 1200 - 902	275 - 512	XF9 - 0525 - 000	311 - 80
	313 - 507	XD2 - 2100 - 302	351 - 503		312 - 72
	315 - 503	XD2 - 2100 - 502	645 - 509		313 - 52
	315 - 504	XD2 - 2100 - 602	311 - 512		106 - 28
	320 - 521	XD2 - 2100 - 802	312 - 510	XF9 - 0533 - 000	360 - 114
	325 - 505		313 - 510	XF9 - 0663 - 000	210 - 63
	600 - 516		320 - 530	XF9 - 0723 - 000	303 - 52
	810 - 514		600 - 521	XG2 - 8012 - 355	360 - 115
XD2 - 1100 - 372	311 - 509	XD2 - 2101 - 002	640 - 509	XG3 - 6012 - 405	102 - 42
	312 - 507	XD2 - 2300 - 202	420 - 506		102 - 43
XD2 - 1100 - 402	104 - 505		430 - 505		320 - 143
	302 - 506	XD2 - 2300 - 242	351 - 504	XG9 - 0018 - 000	210 - 64
	303 - 507	XD2 - 2300 - 402	100 - 503	XG9 - 0111 - 000	600 - 48 A
	325 - 506	XD2 - 2300 - 602	600 - 522		600 - 92
	351 - 502	XD2 - 3100 - 102	640 - 510	XG9 - 0120 - 000	640 - 35
	600 - 517	XD2 - 3100 - 202	106 - 501	XG9 - 0143 - 000	600 - 51 A
XD2 - 1100 - 502	102 - 507	XD3 - 0300 - 082	311 - 513		600 - 93
	102 - 508		312 - 511	XG9 - 0175 - 000	275 - 51
	104 - 506	XD3 - 1200 - 102	313 - 511	XG9 - 0192 - 000	360 - 116
	104 - 507		315 - 506	XG9 - 0208 - 000	261 - 10
	104 - 508		320 - 531	XG9 - 0211 - 000	312 - 73
	107 - 510	XD3 - 1200 - 122	302 - 508		320 - 144
	108 - 502		303 - 510		320 - 145
	250 - 502		315 - 507		360 - 117
	270 - 501	XD3 - 1300 - 082	320 - 532		775 - 12
	275 - 510	XD3 - 1300 - 102	313 - 512		810 - 92
	280 - 503	XD3 - 1300 - 142	810 - 519	XG9 - 0224 - 000	104 - 46

D NUMERICAL INDEX

PART NUMBER	FIGURE & KEY NO.	PART NUMBER	FIGURE & KEY NO.	PART NUMBER	FIGURE & KEY NO.
XG9 - 0224 - 000	104 - 47				
XG9 - 0248 - 000	106 - 29				
XG9 - 0249 - 000	102 - 44				
	230 - 9				
	260 - 22				
	263 - 6				
	264 - 14				
	270 - 15				
	360 - 118				
XG9 - 0250 - 000	102 - 45				
	102 - 46				
	102 - 47				
	250 - 28				
	260 - 23				
	270 - 16				
	280 - 17				
	312 - 74				
	320 - 146				
	320 - 147				
	320 - 148				
	330 - 8				
	360 - 119				
	600 - 94				
XG9 - 0291 - 000	360 - 120				
XG9 - 0302 - 000	104 - 48				
	104 - 49				
XG9 - 0307 - 000	510 - 11				
XG9 - 0350 - 000	280 - 18				
XG9 - 0362 - 000	360 - 121				
XG9 - 0366 - 000	810 - 93				
XG9 - 0385 - 000	275 - 52				
XG9 - 0395 - 000	270 - 17				
XG9 - 0406 - 000	810 - 94				
XG9 - 0407 - 000	311 - 81				
	312 - 75				
	313 - 53				
XG9 - 0421 - 000	810 - 95				
XG9 - 0439 - 000	302 - 47				
	303 - 53				
XG9 - 0447 - 000	810 - 96				
XG9 - 0472 - 000	325 - 42				
XH9 - 0006 - 000	210 - 65				
XH9 - 0082 - 000	302 - 48				
	303 - 54				
XH9 - 0090 - 000	275 - 53				
XH9 - 0110 - 000	900 - 32				
XZ9 - 0251 - 000	120 - 11				
XZ9 - 0367 - 000	108 - 11				
XZ9 - 0407 - 000	316 - 17				
XZ9 - 0472 - 000	275 - 54				
XZ9 - 0503 - 000	900 - 33				

Prepared by
OFFICE IMAGING PRODUCTS DEVICE QUALITY ASSURANCE CENTER

CANON INC.
Printed in Japan

REVISION 0 [AUG. 2001]

5-1, Hakusan 7-chome, Toride-city, Ibaraki 302-8501, Japan



This publication is
printed on 100%
recycled paper.

Canon